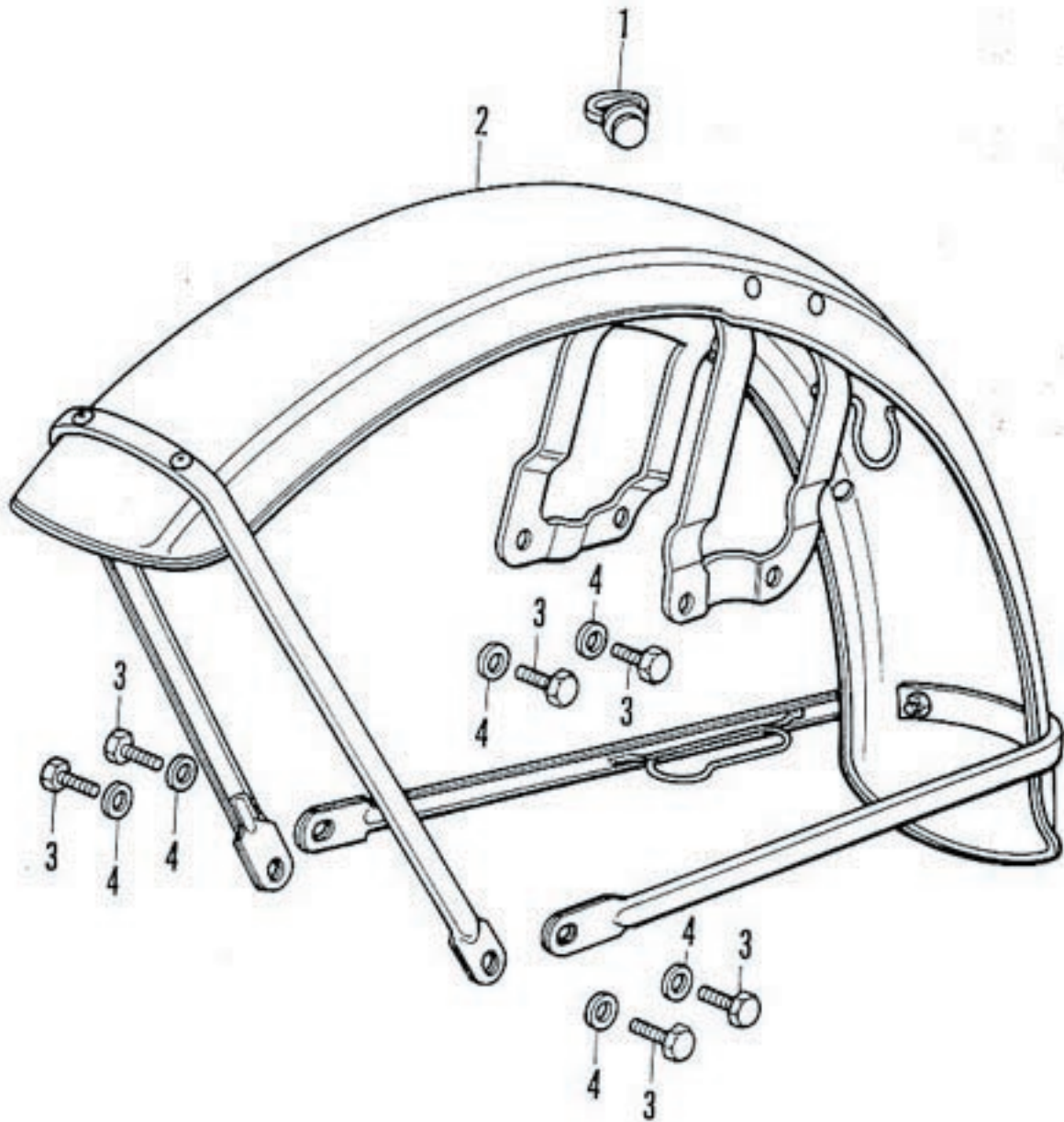


## F-8 Front Cushion

Ref. No.	Part No.	Description	Reqd. No. CB350F	Remarks
21	90123-317-700	BOLT, front fork .....	2	
22	90543-273-000	PACKING, drain cock .....	2	
23	90544-283-000	WASHER, special, 8 mm .....	2	
24	91254-333-010	DUST-SEAL, 33×47×10 .....	2	
25	91255-312-003	OIL-SEAL, 33×46×10.5 (ARAI) .....	2	
26	92000-06008	BOLT, hex., 6×8 .....	2	
27	92700-08050-30	BOLT, stud, 8×50 .....	4	
28	94030-08000	NUT, hex., 8 mm .....	4	
29	94101-08000	WASHER, plain, 8 mm .....	4	
30	94111-08000	WASHER, spring, 8 mm .....	4	
31	94521-47000	CIR-CLIP, internal, 47 mm .....	2	
32	94608-30000	O-RING, 23×2.4 .....	2	
33	95014-41000	HOLDER, axle .....	2	

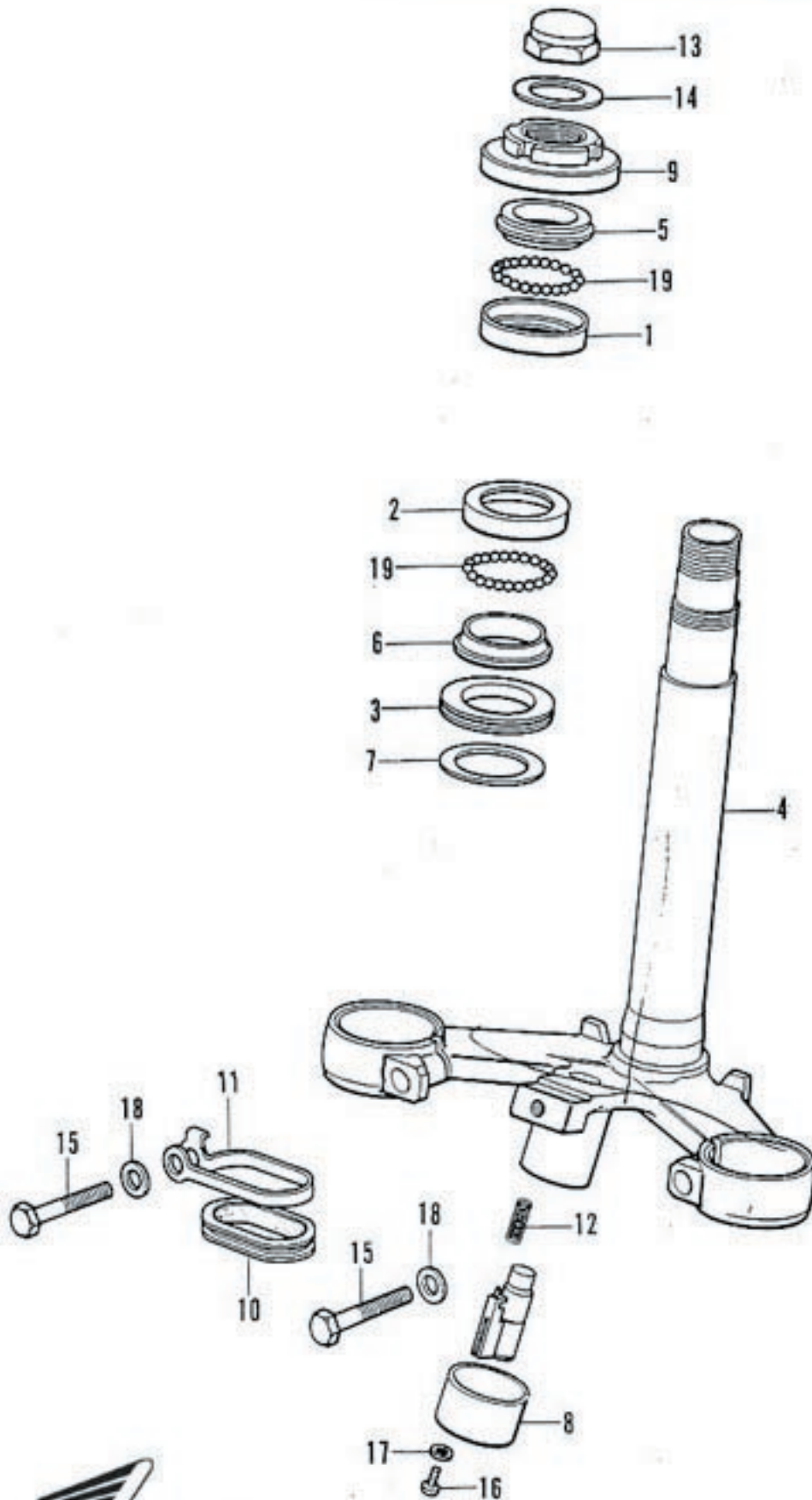
# F-9 Front Fender



## F-9 Front Fender

Ref. No.	Part No.	Description	Req. No. CB350F	Remarks
1	45451-283-000	GROMMET, wire .....	1	
2	61100-333-000XW	FENDER COMP., front (Chrome) .....	1	
3	92000-06016	BOLT, hex., 6x16 .....	6	
4	94101-06000	WASHER, plain, 6 mm .....	6	

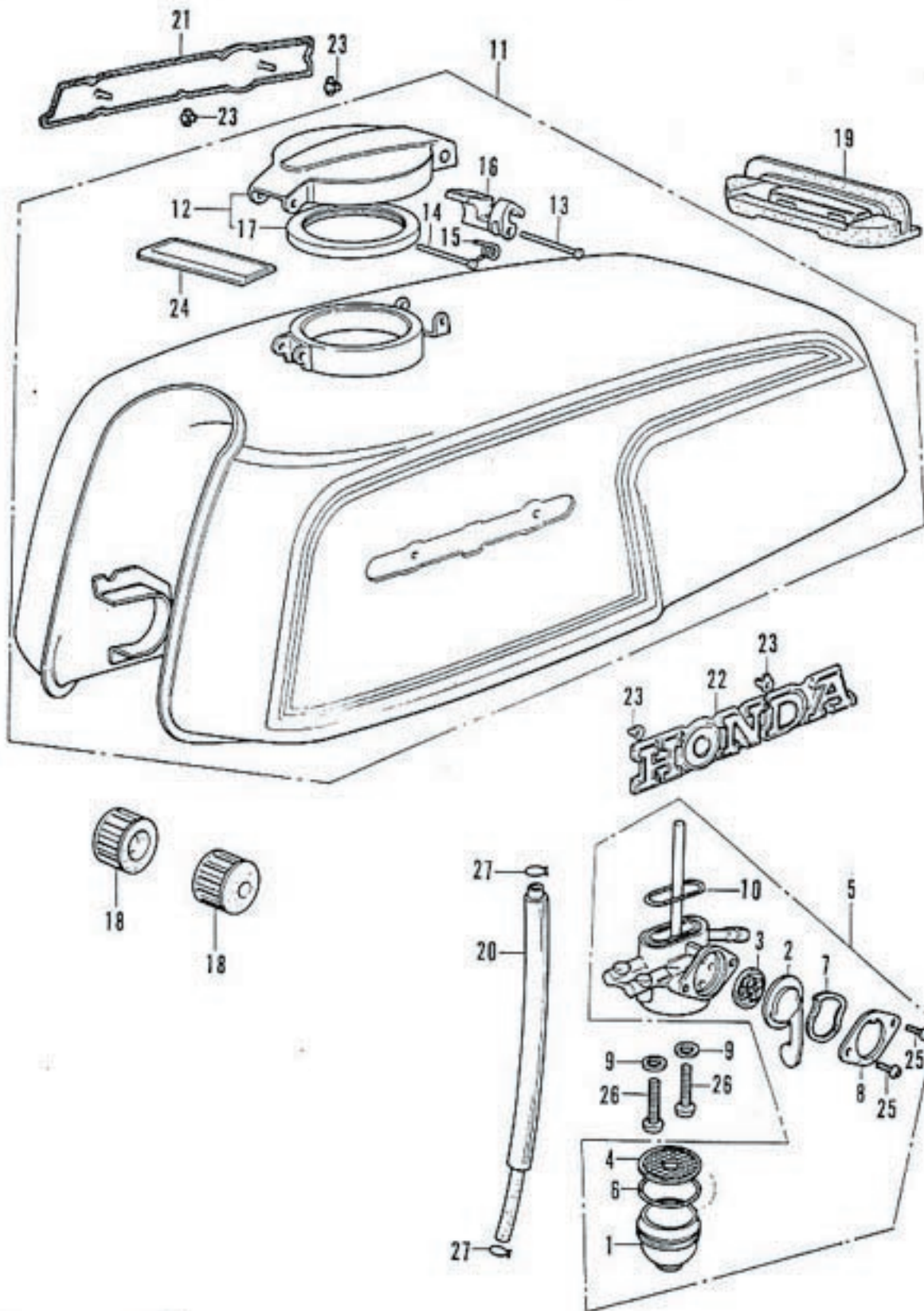
# F-10 Steering Stem



## F-10 Steering Stem

Ref. No.	Part No.	Description	Reqd. No. CB350F	Remarks
1	50301-268-305	RACE, steering top ball .....	1	
2	50302-268-305	RACE, steering bottom ball .....	1	
3	53124-250-000	DUST-SEAL, steering head .....	1	
4	53200-333-000B	STEM COMP., steering (Black) (Used in A & D)	1	
O	53200-333-610B	STEM COMP., steering (Black).....	1	
5	53211-268-305	RACE, steering top corn.....	1	
6	53212-250-305	RACE, steering bottom corn .....	1	
7	53215-250-000	WASHER, steering head dust-seal .....	1	
8	53215-317-000	COVER COMP., handle lock case (Used in A & D)	1	
9	53220-286-000	THREAD COMP., steering head top .....	1	
10	53225-333-000	GUIDE, inner cable .....	1	
11	53226-333-000	BRACKET, cable guide .....	1	
O12	53631-268-020	SPRING, handle lock (Used in A & D) .....	1	
13	90304-323-670	NUT, steering stem .....	1	
14	90503-283-000	WASHER, steering stem.....	1	
15	92000-08032-0A	BOLT, hex., 8x32.....	2	
O16	93500-03008-0A	SCREW, pan, 3x8 (Used in A & D).....	1	
O17	94101-03000	WASHER, plain, 3 mm (Used in A & D).....	1	
18	94101-08000	WASHER, plain, 8 mm .....	2	
19	96211-08000	BALL, steel, #8 .....	37	

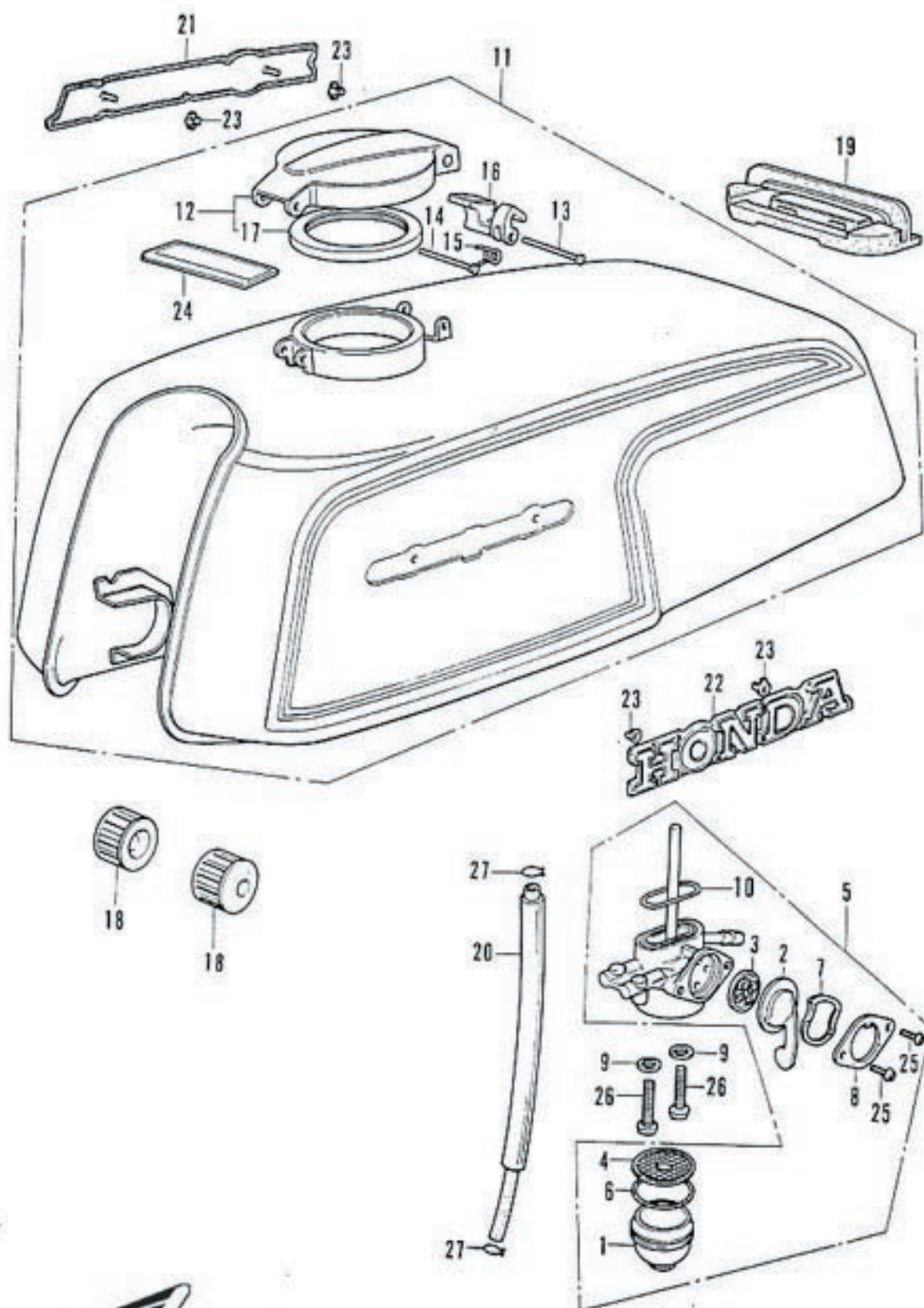
# F-11 Fuel Tank - Cock



## F-11 Fuel Tank - Cock

Ref. No.	Part No.	Description	Reqd. No. CB350F	Remarks
1	16952-268-000	CUP, fuel strainer .....	1	
2	16953-268-020	LEVER, fuel cock .....	1	
3	16955-268-020	PACKING, fuel cock valve.....	1	
4	16957-268-010	SCREEN, fuel strainer.....	1	
5	16957-333-025	COCK ASSY., fuel (KEIHIN) .....	1	
6	16958-268-010	O-RING .....	1	
7	16960-268-010	SPRING, cock lever .....	1	
8	16961-268-010	PLATE, fuel cock lever setting.....	1	
9	16993-011-000	PACKING, fuel cock fixing .....	2	
10	16997-273-006	O-RING, 23φ .....	1	
O11	17500-333-610LY	TANK ASSY., fuel (Candy bacchus olive custom) (Used in G)	1	
O	17500-333-610NQ	TANK ASSY., fuel (Custom silver metallic)..... (Used in G)	1	
O	17500-333-620LY	TANK ASSY., fuel (Candy bacchus olive custom) (Used in F)	1	
O	17500-333-620NQ	TANK ASSY., fuel (Custom silver metallic)..... (Used in F)	1	
✓	17500-333-671LY	TANK ASSY., fuel (Candy bacchus olive custom) ✓	1	
O	17500-333-671NQ	TANK ASSY., fuel (Custom silver metallic).....	1	
	17500-333-671PJ	TANK ASSY., fuel (Flake matador red) .....	1	
12	17510-323-310	CAP COMP., fuel tank .....	1	
13	17513-300-300	PIN, fuel filler cap check .....	1	
14	17514-323-300	PIN B, fuel cap .....	1	
15	17515-300-300	SPRING, cap check .....	1	
16	17517-300-340	CHECK, fuel filler cap.....	1	
17	17534-323-300	PACKING, fuel cap .....	1	
18	17611-286-000	CUSHION, front fuel tank .....	2	
19	17613-333-010	CUSHION, rear fuel tank .....	1	
20	17681-333-000	TUBE, fuel .....	1	

# F-11 Fuel Tank - Cock

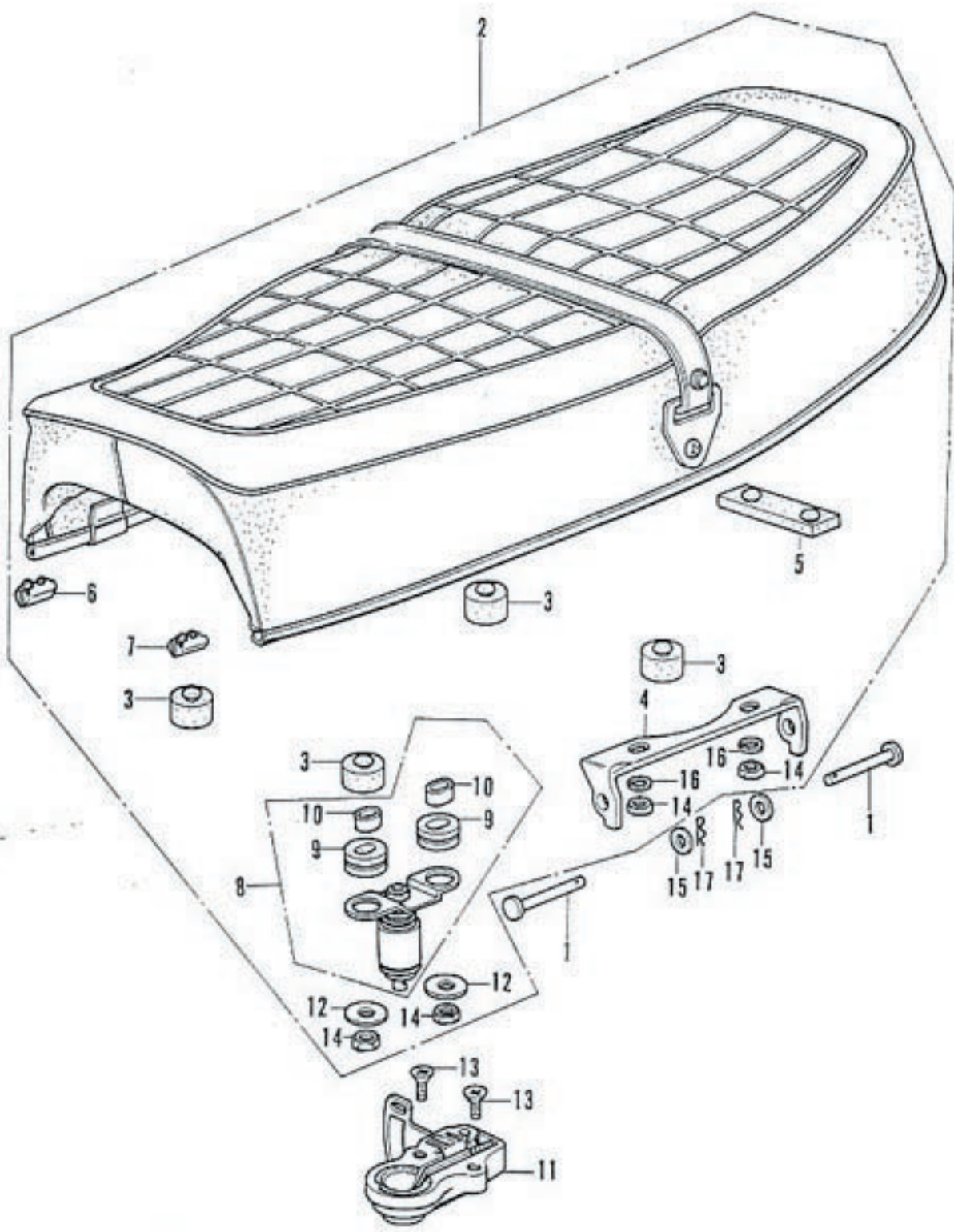




## F-11 Fuel Tank - Cock

Ref. No.	Part No.	Description	Reqd. No. CB350F	Remarks
21	87121-333-000	EMBLEM, right fuel tank .....	1	
22	87122-333-000	EMBLEM, left fuel tank .....	1	
23	87311-516-000	NUT, rear ornament clamp .....	4	
O24	87560-323-611A	MARK, drive caution (White) (Used in G) .....	1	
O	87560-323-611B	MARK, drive caution (Black) (Used in G).....	1	
O	87560-323-621A	MARK, drive caution (White) (Used in F) .....	1	
O	87560-323-621B	MARK, drive caution (Black) (Used in F).....	1	
	87560-323-670A	MARK, drive caution (White) .....	1	
	87560-323-670B	MARK, drive caution (Black).....	1	
25	93500-03006-0A	SCREW, pan, 3x6 .....	2	
26	93500-06028	SCREW, pan, 6x28 .....	2	
27	95002-03080	CLIP, tubc, B8 .....	2	

# F-12 Double Seat



## F-12 Double Seat

Ref. No.	Part No.	Description	Reqd. No. CB350F	Remarks
1	77103-313-000	BAR, seat hinge.....	2	
2	77200-333-000A	SEAT COMP., double (Black) .....	1	
3	77201-074-000	RUBBER, seat setting .....	4	
4	77201-333-000	HINGE, seat .....	1	
5	77204-312-000	RUBBER, seat setting .....	1	
6	77211-323-300	GARNISH, right seat mole .....	1	
7	77212-323-300	GARNISH, left seat mole .....	1	
8	77220-340-011	BAR ASSY., seat lock (TOYOSHA) .....	1	
9	77228-340-001	RUBBER, lock bar cushion .....	2	
10	77229-340-001	COLLAR, seat lock bar .....	2	
11	77230-347-003	LOCK ASSY., seat (T.E.C.) .....	1	
12	90514-700-000	WASHER, tank collar lock.....	2	
13	93600-06012-07	SCREW, flat, 6 x 12 .....	2	
14	94001-06000	NUT, hex., 6 mm .....	4	
15	94101-06000	WASHER, plain, 6 mm .....	2	
16	94111-06000	WASHER, spring, 6 mm .....	2	
17	94251-06000	PIN, lock, 6 mm .....	2	

F-13 Side Cover - Tool Tray

