



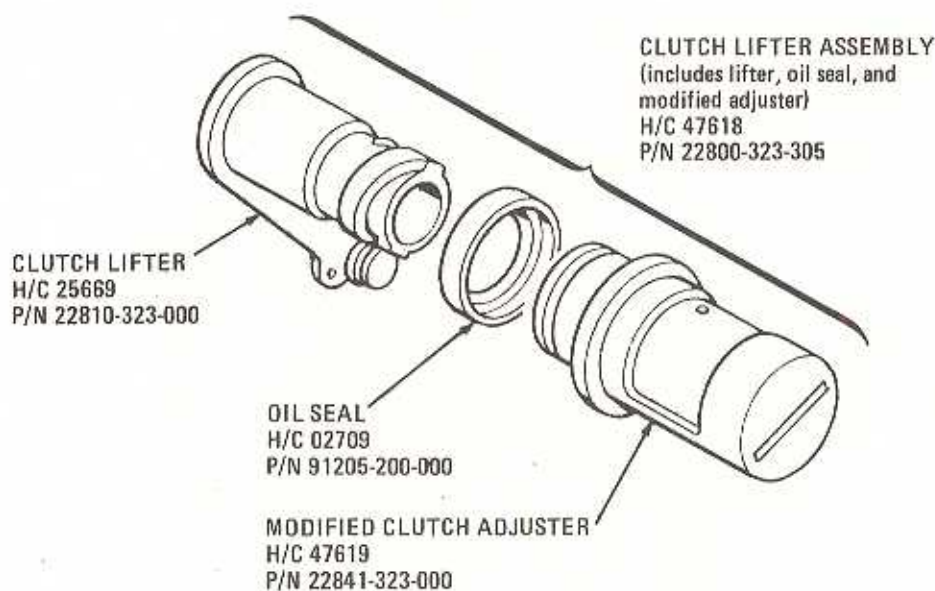
500 #9  
8/11/76

# SERVICE BULLETIN

AMERICAN HONDA MOTOR CO., INC. MOTORCYCLE SERVICE DEPARTMENT

## MODIFIED CLUTCH ADJUSTER; CB-500, K1, K2

The material of the threaded inner surface of the CB-500 clutch adjuster has been changed to reduce friction and wear and to extend service life.



If the clutch does not work well because it is excessively worn, replace with the new clutch lifter assembly shown above.

AMERICAN HONDA MOTOR CO., INC.  
MOTORCYCLE SERVICE DEPARTMENT

© American Honda Motor Co., Inc. 1976

### ROUTING:

COPY 1

COPY 2

GENERAL MANAGER

SERVICE MANAGER

SALES DEPT.

MECHANICS

OFFICE FILE

SHOP MANUAL