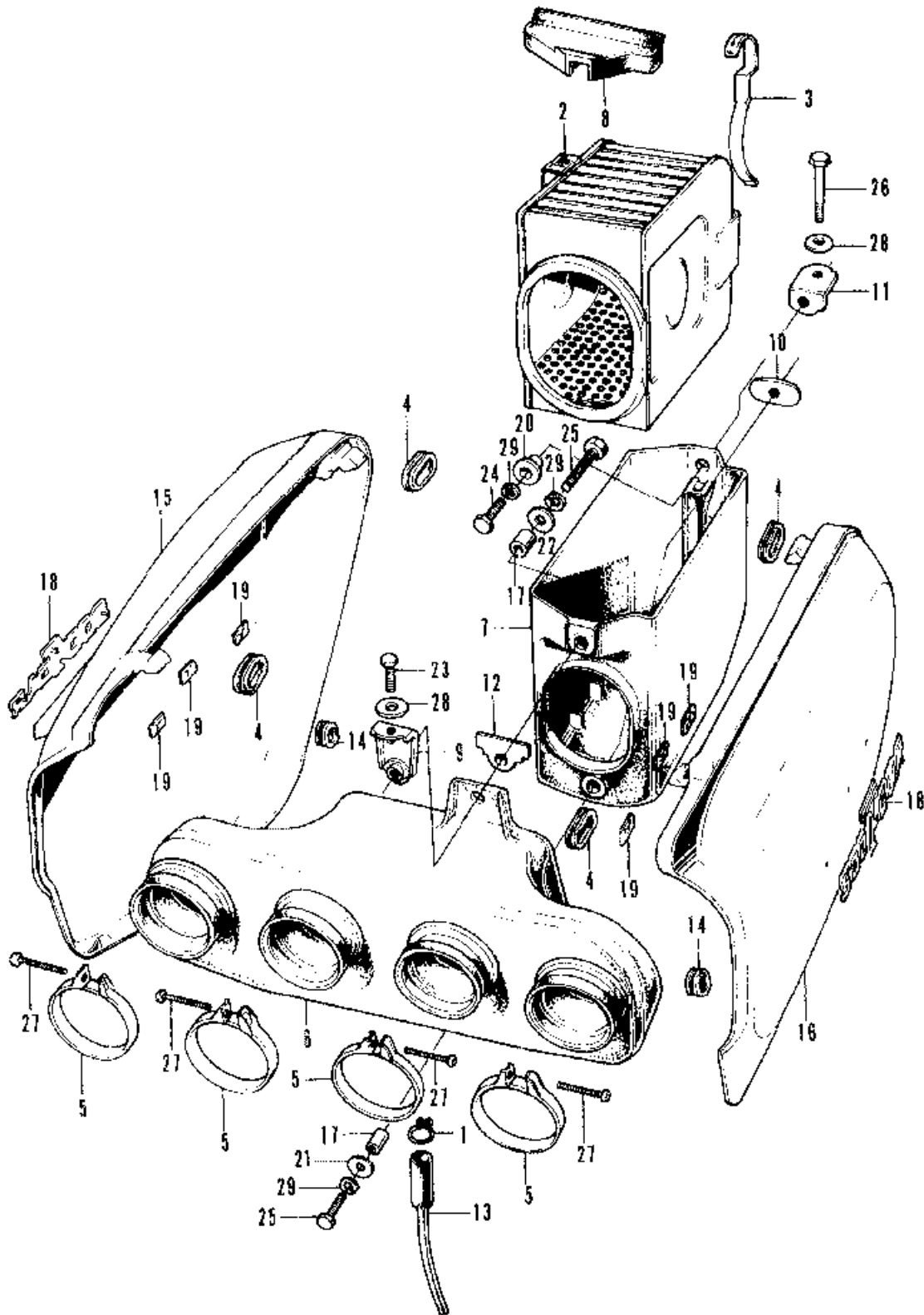
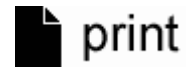


(close window)

**JT Motorsports**  
 105 W Parker Rd  
 Jonesboro, AR 72404  
 870-932-9001  
 www.crotchrocket.com

**1973 HONDA  
 CB500K2  
 AIR CLEANER @ SIDE COVER**  
 September 26, 2006



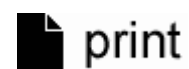
REF#	PART	#REQ	REMARKS	YOUR PRICE
01	CLIP, BREATHER TUBE 15772-292-010	001		\$1.88
02	ELEMENT, AIR CLEANER 17210-323-030	001		\$28.03
03	SPRING, A/CLNR ELEM 17216-323-020	001		\$4.40
04	GROMMET A 17247-303-000	004		\$4.70
05	BAND A, A/CLNR TUBE 17255-323-000	004		\$3.84

06	CHAMBER *NH1* 17310-323-010B	001	\$91.55
06	CHAMBER *NH1* 17310-323-010B	001	\$91.55
07	HOUSING, A/CLNR ELEM 17313-323-040	001	\$19.67
08	COVER, AIR CLEANER 17315-323-000	001	\$2.85
09	STAY, AIR CLEANER 17317-323-010	001	\$3.53
10	WASHER 17318-323-000	001	\$1.50
11	STAY, RR. A/CLNR 17319-323-000	001	\$3.80
12	PLATE, AIR CLEANER 17331-323-000	001	\$1.50
13	TUBE ASSY., BREATHER 17335-323-000	001	\$5.16
14	GROMMET, A/CLNR HSG 83551-300-000	002	\$2.45
15	CVR, R. SIDE *R2CF* 83600-323-020LV	001	\$42.33
15	CVR, R. SIDE *G5WC* 83600-323-020LY	001	\$33.06
15	COVER, R. *YR20MC* 83600-323-020QQ	001	\$38.54
16	CVR, L. SIDE *R2CF* 83700-323-020LV	001	\$47.31
16	CVR, L. SIDE *G5WC* 83700-323-020LY	001	\$47.25
16	COVER, L. *YR20MC* 83700-323-020QQ	001	\$47.25
17	COLLAR, RR. FENDER 84705-310-000	002	\$1.50
18	EMBLEM, SIDE COVER 87124-323-000	002	\$24.15
19	NUT, SPEED (3MM) 90315-504-000	006	\$1.62
20	WASHER (6X20) 90512-300-000	001	\$1.50
21	WASHER (18MM) 90581-831-650	003	\$1.50
21	WASHER (18MM) 90581-831-650	003	\$1.50
22	WASHER, PLAIN (6MM) 94101-06800	001	\$1.50
22	WASHER, PLAIN (6MM) 94101-06800	001	\$1.50
22	WASHER, PLAIN (6MM) 94101-06800	001	\$1.50
23	BOLT, HEX. (6X12) 92101-06012-0A	001	\$1.50
23	BOLT, HEX. (6X12) 92101-06012-0A	001	\$1.50
23	BOLT, HEX. (6X12) 92101-06012-0A	001	\$1.50
24	BOLT, HEX. (6X16) 92101-06016-0A	001	\$1.50
24	BOLT, HEX. (6X16) 92101-06016-0A	001	\$1.50
24	BOLT, HEX. (6X16) 92101-06016-0A	001	\$1.50
24	BOLT, HEX. (6X16) 92101-06016-0A	001	\$1.50
24	BOLT, HEX. (6X16) 92101-06016-0A	001	\$1.50
24	BOLT, HEX. (6X16) 92101-06016-0A	001	\$1.50
24	BOLT, HEX. (6X16) 92101-06016-0A	001	\$1.50
24	BOLT, HEX. (6X16) 92101-06016-0A	001	\$1.50
25	BOLT, HEX. (6X25) 92101-06025-0A	002	\$1.50
25	BOLT, HEX. (6X25) 92101-06025-0A	002	\$1.50
26	BOLT, HEX. (6X40) 92101-06040-0A	001	\$1.50
26	BOLT, HEX. (6X40) 92101-06040-0A	001	\$1.50
26	BOLT, HEX. (6X40) 92101-06040-0A	001	\$1.50
27	SCREW, PAN (4X20) 93500-04020-0A	004	\$1.50
28	WASHER, PLAIN (6MM) 94101-06800	002	\$1.50
28	WASHER, PLAIN (6MM) 94101-06800	002	\$1.50
28	WASHER, PLAIN (6MM) 94101-06800	002	\$1.50
29	WASHER, SPRING (6MM) 94111-06000	003	\$1.50

[\(close window\)](#)

**JT Motorsports**  
105 W Parker Rd  
Jonesboro, AR 72404  
870-932-9001

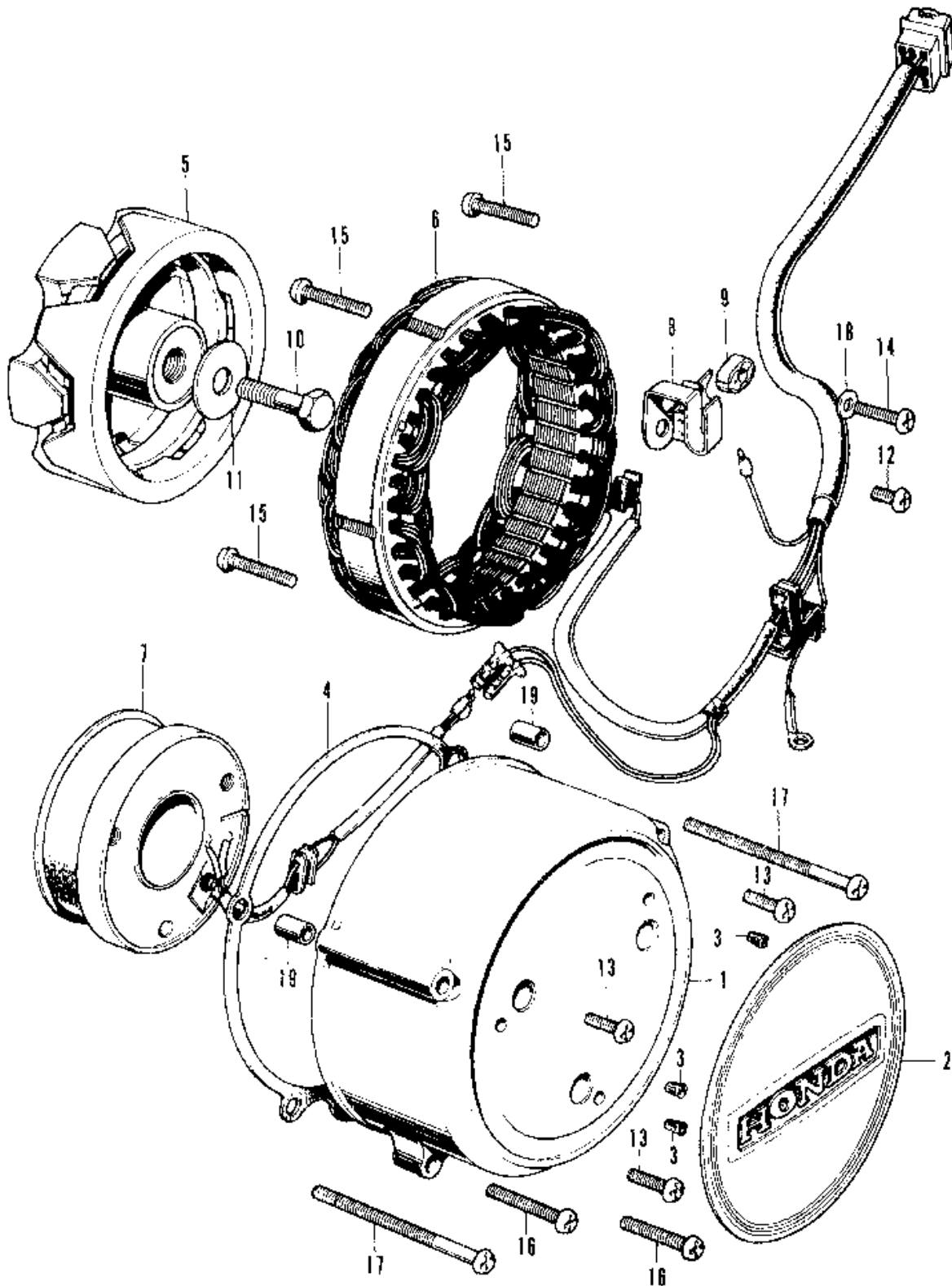
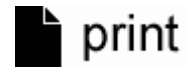
**1973 HONDA**  
**CB500K2**  
September 26, 2006  
(prices subject to change without notice)



(close window)

**JT Motorsports**  
 105 W Parker Rd  
 Jonesboro, AR 72404  
 870-932-9001  
 www.crotchrocket.com

**1973 HONDA  
 CB500K2  
 ALTERNATOR**  
 September 26, 2006



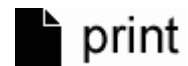
REF#	PART	#REQ	REMARKS	YOUR PRICE
01	COVER A, ALTERNATOR 11631-323-000	001		\$153.28
02	COVER B, ALTERNATOR 11632-323-003	001		\$36.86
03	CLIP, PUSH 11633-323-000	003		\$1.83
04	GASKET 11691-323-306	001		\$6.56
04	GASKET 11691-323-306	001		\$6.56

05	ROTOR 31101-404-831	001	\$198.35
05	ROTOR 31101-404-831	001	\$198.35
06	STATOR 31102-323-025	001	\$127.71
07	COIL, FIELD 31103-390-005	001	\$81.02
07	COIL, FIELD 31103-390-005	001	\$81.02
08	STATOR 35752-323-000	001	\$6.81
09	ROTOR 35753-323-000	001	\$1.50
10	BOLT, UBS (10X32) 90014-333-003	001	\$4.92
10	BOLT, UBS (10X32) 90014-333-003	001	\$4.92
10	BOLT, UBS (10X32) 90014-333-003	001	\$4.92
11	WASHER (10X30X3.5T) 90401-880-000	001	\$5.46
11	WASHER (10X30X3.5T) 90401-880-000	001	\$5.46
12	SCREW, PAN (6X12) 93500-06012	001	\$1.50
12	SCREW, PAN (6X12) 93500-06012-0A	001	\$1.50
12	SCREW, PAN (6X12) 93500-06012-0A	001	\$1.50
13	SCREW, PAN (6X16) 93500-06016-0A	003	\$1.50
13	SCREW, PAN (6X16) 93500-06016-0A	003	\$1.50
14	SCREW, PAN (6X20) 93500-06020	001	\$1.50
14	SCREW, PAN (6X20) 93500-06020-0A	001	\$1.50
15	SCREW, PAN (6X28) 93500-06028-0A	003	\$1.50
15	SCREW, PAN (6X28) 93500-06028-0A	003	\$1.50
16	SCREW, PAN (6X32) 93500-06032-0A	002	\$1.50
16	SCREW, PAN (6X32) 93500-06032-0A	002	\$1.50
17	SCREW, PAN (6X65) 93500-06065	002	\$1.50
17	SCREW, PAN (6X65) 93500-06065-0A	002	\$1.50
18	WASHER, PLAIN (6MM) 94101-06800	001	\$1.50
18	WASHER, PLAIN (6MM) 94101-06800	001	\$1.50
18	WASHER, PLAIN (6MM) 94101-06800	001	\$1.50
19	PIN, DOWEL (8X14) 94301-08140	002	\$1.50

[\(close window\)](#)

**JT Motorsports**  
 105 W Parker Rd  
 Jonesboro, AR 72404  
 870-932-9001  
[www.crotchrocket.com](http://www.crotchrocket.com)

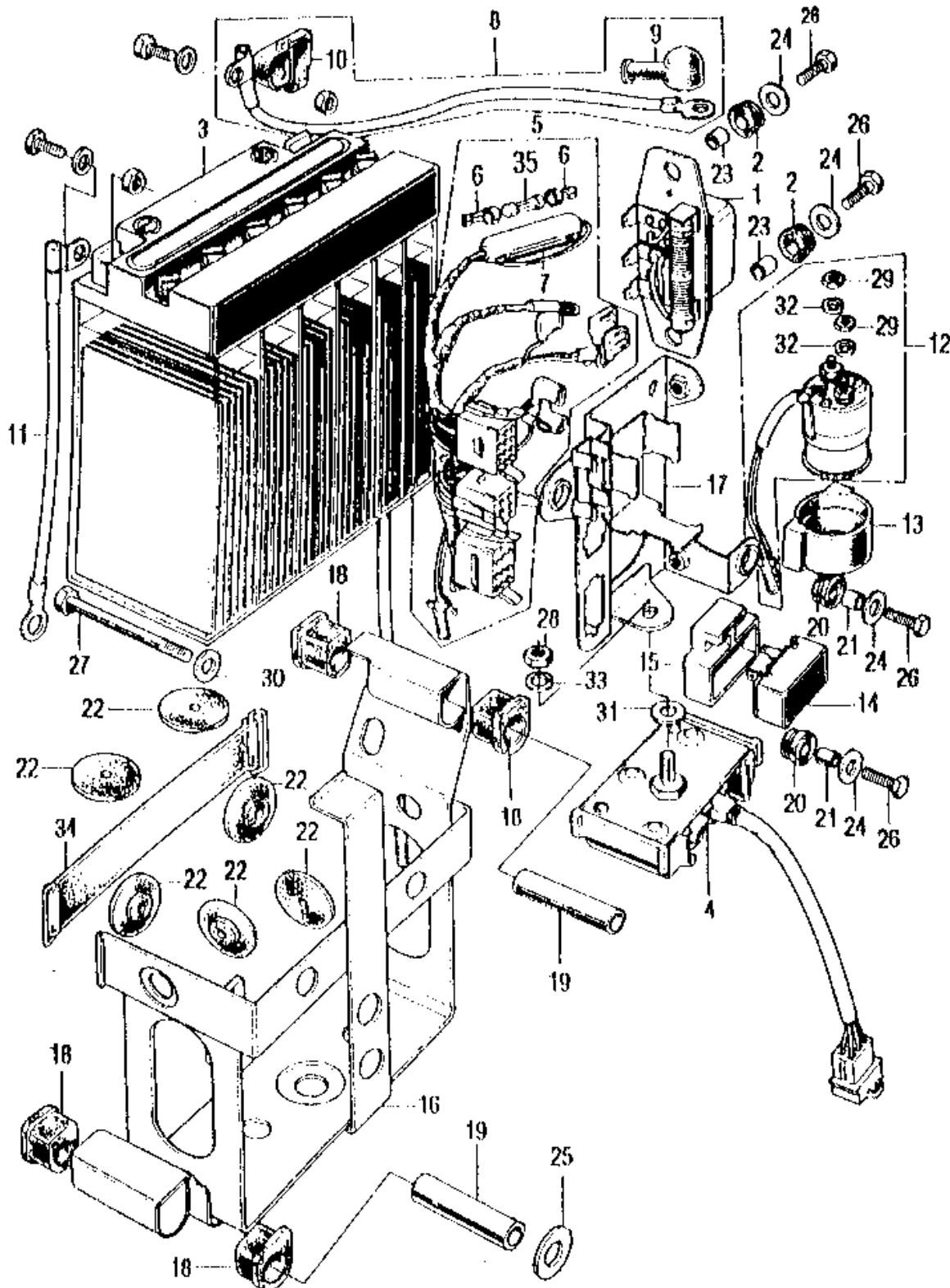
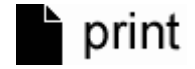
**1973 HONDA**  
**CB500K2**  
 September 26, 2006  
 (prices subject to change without notice)



(close window)

**JT Motorsports**  
 105 W Parker Rd  
 Jonesboro, AR 72404  
 870-932-9001  
 www.crotchrocket.com

**1973 HONDA  
 CB500K2  
 BATTERY @ ELECTRIC PLATE**  
 September 26, 2006



REF#	PART	#REQ	REMARKS	YOUR PRICE
01	REGULATOR ASSY. 31400-300-035	001		\$82.64
02	RUBBER 31403-323-000	002		\$2.09
03	BATTERY (12V12) 31500-460-672	001		\$38.47
03	BATTERY (12V12) 31500-460-672	001		\$38.47
03	BATTERY (12V12) 31500-460-672	001		\$38.47

04	RECTIFIER ASSY. 31700-333-008	001	\$165.83
04	RECTIFIER ASSY. 31700-333-008	001	\$165.83
05	SUB-WIRE HARNESS 32105-323-030	001	\$36.43
06	CONNECTOR, FUSE 32112-230-000	002	\$2.78
07	CASE, FUSE 32120-323-000	001	\$2.54
08	CABLE 32401-323-000	001	\$10.67
09	COVER 32411-230-000	001	\$4.62
09	COVER 32411-230-000	001	\$4.62
10	COVER 32412-323-000	001	\$2.58
11	CABLE 32601-323-000	001	\$7.77
12	SWITCH ASSY. 35850-371-670	001	\$60.02
12	SWITCH ASSY. 35850-371-670	001	\$60.02
13	SUSPENSION 35856-323-000	001	\$2.99
14	RELAY, TURN SIGNAL 38301-KJ6-743	001	\$21.96
14	RELAY, TURN SIGNAL 38301-KJ6-743	001	\$21.96
14	RELAY, TURN SIGNAL 38301-KJ6-743	001	\$21.96
14	RELAY, TURN SIGNAL 38301-KJ6-743	001	\$21.96
15	SUSPENSION 38306-107-670	001	\$2.46
16	BOX, BATTERY 50325-323-040	001	\$39.89
17	PLATE, ELECTRIC BASE 50330-323-020	001	\$19.18
18	RUBBER, BATTERY BOX 50331-323-000	004	\$1.64
19	COLLAR, BATTERY BOX 50332-323-000	002	\$2.84
20	RUBBER A, RR. FENDER 80105-061-000	002	\$2.31
21	COLLAR A, RR. FENDER 80108-061-000	002	\$2.39
21	COLLAR A, RR. FENDER 80108-061-010	002	\$2.39
22	RUBBER, BATTERY BOX 83618-323-000	006	\$1.50
23	COLLAR 84706-286-000	002	\$1.56
24	WASHER (18MM) 90581-831-650	004	\$1.50
24	WASHER (18MM) 90581-831-650	004	\$1.50
25	WASHER (8MM) 90582-703-000	001	\$1.50
26	BOLT, HEX. (6X20) 92101-06020-0A	004	\$1.50
26	BOLT, HEX. (6X20) 92101-06020-0A	004	\$1.50
27	BOLT, HEX. (8X65) 92101-08065-0A	001	\$1.50
27	BOLT, HEX. (8X65) 92101-08065-0A	001	\$1.50
28	NUT, HEX. (8MM) 94001-08000-0S	001	\$1.50
29	NUT, HEX. (6MM) 94002-06300-0S	002	\$1.50
29	NUT, HEX. (6MM) 94002-06300-0S	002	\$1.50
30	WASHER, PLAIN (8MM) 94101-08000	001	\$1.50
31	WASHER, PLAIN (8MM) 94102-08000	001	\$1.50
32	WASHER, SPRING (6MM) 94111-06000	002	\$1.50
33	WASHER, SPRING (8MM) 94111-08000	001	\$1.50
34	BAND F, BATTERY 95012-17001	001	\$4.86
34	BAND F, BATTERY 95012-17001	001	\$4.86
34	BAND F, BATTERY 95012-17001	001	\$4.86
35	FUSE A (15A) 98200-11500	001	\$1.50

[\(close window\)](#)

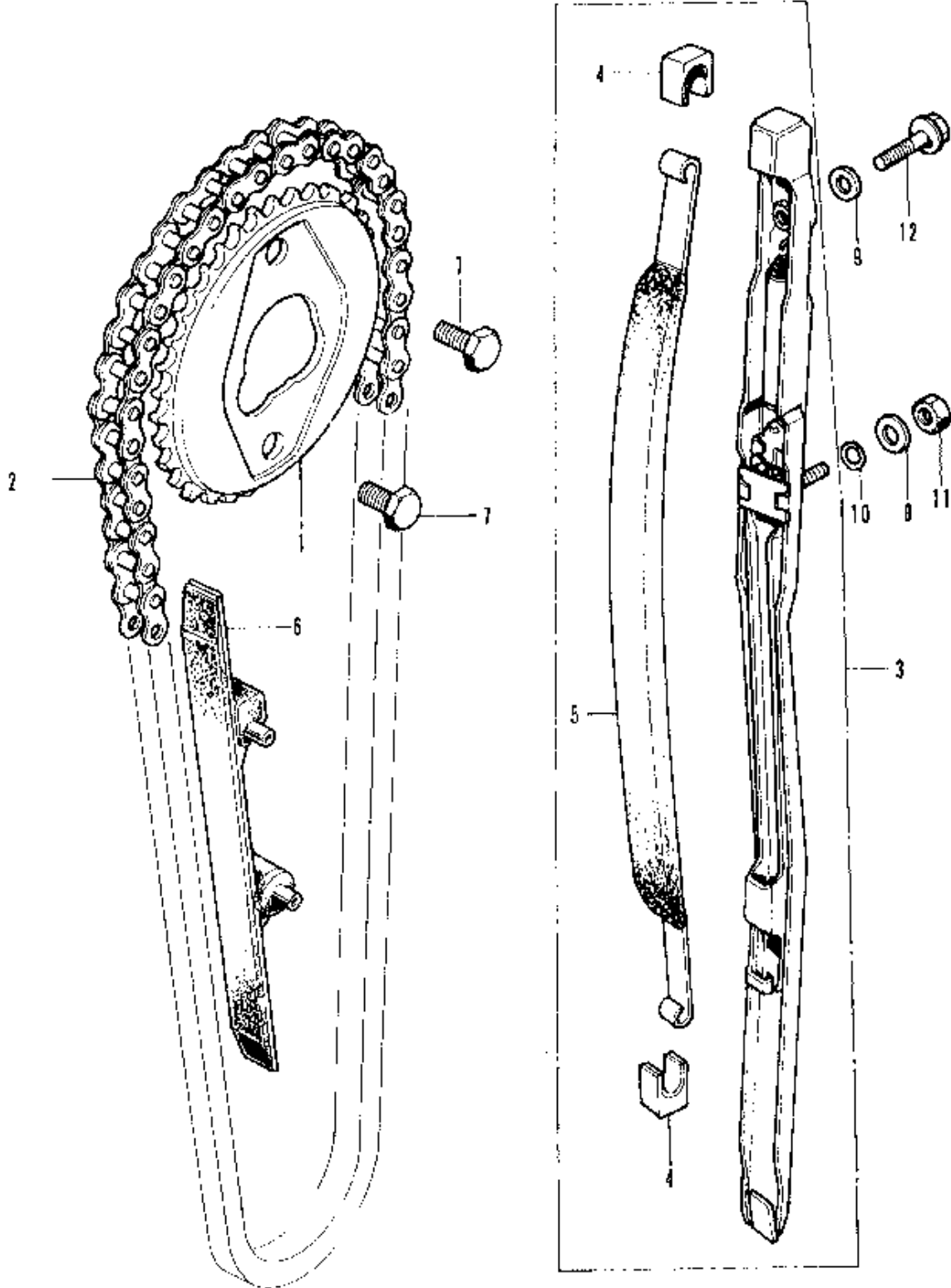
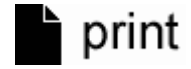
**JT Motorsports**  
105 W Parker Rd  
Jonesboro, AR 72404

**1973 HONDA**  
**CB500K2**

(close window)

**JT Motorsports**  
 105 W Parker Rd  
 Jonesboro, AR 72404  
 870-932-9001  
 www.crotchrocket.com

**1973 HONDA  
 CB500K2  
 CAM CHAIN @ TENSIONER**  
 September 26, 2006



REF#	PART	#REQ	REMARKS	YOUR PRICE
01	SPROCKET, IN. CAM 14321-323-P00	001		\$20.20
02	CHAIN, CAM 14401-323-003	001		\$41.98
02	CHAIN, CAM 14401-362-003	001		\$41.98
03	TENSIONER, CAM CHAIN 14500-323-000	001		\$98.65
04	DAMPER 14501-323-000	002		\$4.26

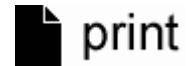
## Fiche Parts

05	SLIPPER, TENSIONER 14520-323-000	001	\$46.86
06	GUIDE, CAM CHAIN 14611-323-000	001	\$23.83
07	BOLT (7X12) 90081-246-000	002	\$1.50
07	BOLT (7X10.5) 90082-HA0-000	002	\$1.50
08	WASHER (6MM) 90442-035-000	001	\$1.50
09	WASHER A (6.5MM) 90481-250-000	001	\$1.50
10	O-RING (5.8X1.9) 91305-323-000	001	\$1.86
10	O-RING (5.6X1.9) 91318-ME5-003	001	\$1.98
11	NUT, HEX. (6MM) 94001-06200-0S	001	\$1.50
11	NUT, HEX. (6MM) 94001-06200-0S	001	\$1.50
11	NUT, HEX. (6MM) 94001-06200-0S	001	\$1.50
11	NUT, HEX. (6MM) 94001-06200-0S	001	\$1.50
11	NUT, HEX. (6MM) 94001-06200-0S	001	\$1.50
11	NUT, HEX. (6MM) 94001-06200-0S	001	\$1.50
11	NUT, HEX. (6MM) 94001-06200-0S	001	\$1.50
12	BOLT, FLANGE (6X22) 95701-06022-00	001	\$1.50
12	BOLT, FLANGE (6X22) 95701-06022-00	001	\$1.50

[\(close window\)](#)

**JT Motorsports**  
**105 W Parker Rd**  
**Jonesboro, AR 72404**  
**870-932-9001**  
[www.crotchrocket.com](http://www.crotchrocket.com)

**1973 HONDA**  
**CB500K2**  
 September 26, 2006  
 (prices subject to change without notice)

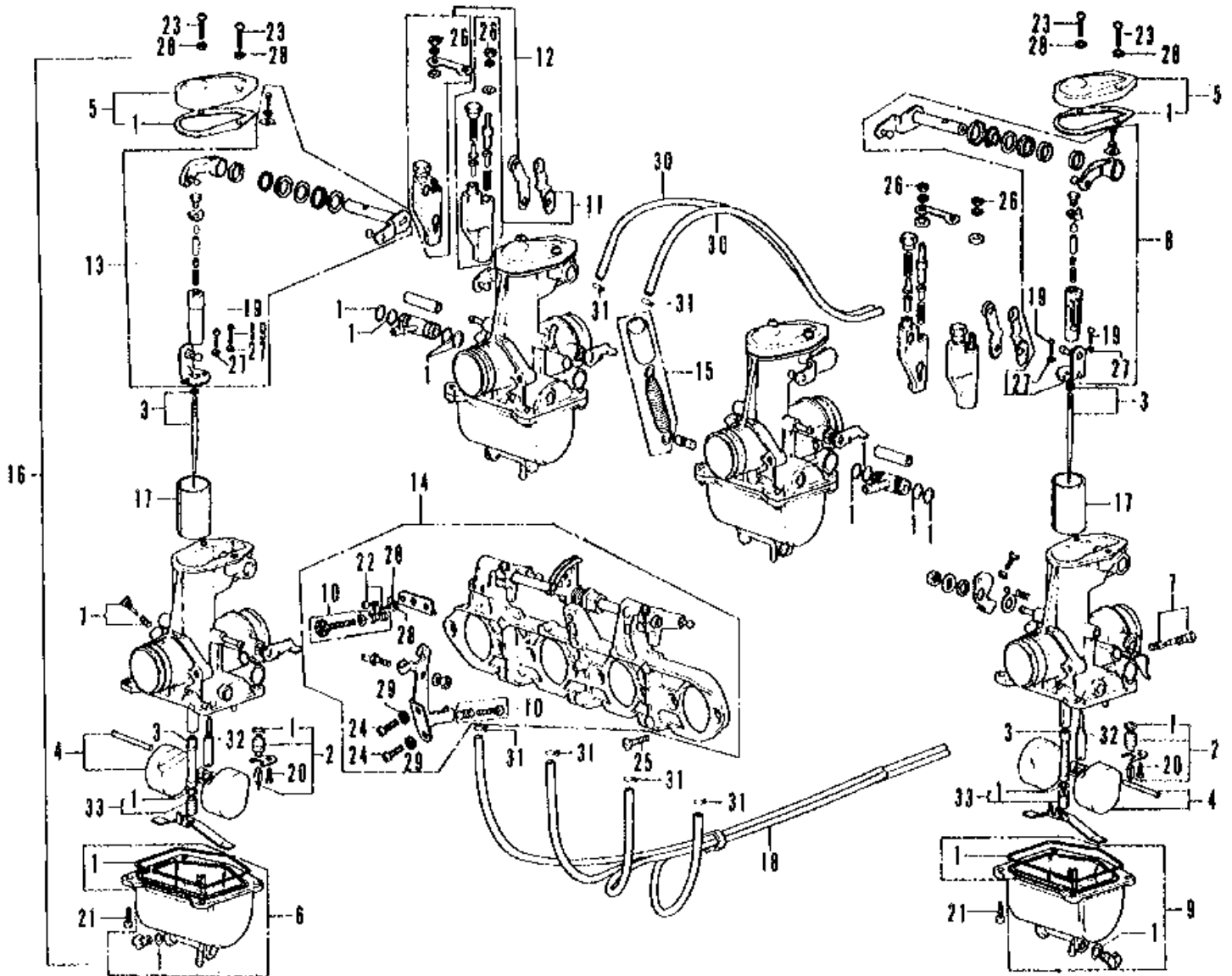




[\(close window\)](#)

**JT Motorsports**  
 105 W Parker Rd  
 Jonesboro, AR 72404  
 870-932-9001  
 www.crotchrocket.com

**1973 HONDA  
 CB500K2  
 CARBURETOR**  
 September 26, 2006



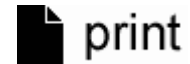
REF#	PART	#REQ	REMARKS	YOUR PRICE
01	GASKET SET 16010-323-315	004		\$10.79
01	GASKET SET 16010-323-315	004		\$10.79
02	VALVE SET, FLOAT 16011-329-004	001		\$19.97
03	NEEDLE SET, JET 16012-323-004	001		\$23.47
04	FLOAT SET 16013-329-004	001		\$30.79
05	TOP SET 16014-323-004	001		\$12.89
06	CHAMBER SET A, FLOAT 16015-323-004	001		\$41.79
07	SCREW SET A 16016-323-004	001		\$5.12
08	ARM SET A, LINK 16018-323-004	001		\$65.39
09	CHAMBER SET B, FLOAT 16023-323-004	001		\$56.57
10	SCREW SET B 16028-323-004	001		\$15.20
11	HOLDER SET A, ADJ. 16029-323-004	001		\$82.69
12	HOLDER SET B, ADJ. 16030-323-004	001		\$68.63
13	ARM SET B, LINK 16031-323-004	001		\$67.02
14	PLATE SET, STAY	001		\$392.09

15	16035-323-004 TUBE SET, PROTECT 16036-323-004	001	\$13.56
16	CARBURETOR ASSY. 16100-323-024	001	\$678.81
16	CARBURETOR ASSY. 16100-323-024	001	\$678.81
17	VALVE, THROTTLE 16111-323-004	004	\$34.40
18	TUBE ASSY., OVERFLOW 16290-323-010	001	\$15.40
18	TUBE ASSY., OVERFLOW 16290-323-010	001	\$15.40
19	SCREW, PAN (3X10) 93500-03010-0A	008	\$1.50
20	SCREW, PAN (4X10) 93500-04010-0A	004	\$1.50
21	SCREW, PAN (4X12) 93500-04012-0A	016	\$1.50
22	SCREW, PAN (5X12) 93500-05012-0A	002	\$1.50
23	SCREW, PAN (5X16) 93500-05016-0A	008	\$1.50
24	SCREW, PAN (6X12) 93500-06012	002	\$1.50
24	SCREW, PAN (6X12) 93500-06012-0A	002	\$1.50
24	SCREW, PAN (6X12) 93500-06012-0A	002	\$1.50
25	SCREW, FLAT (6X16) 93600-06016	008	\$1.50
25	SCREW, FLAT (6X16) 93600-06016-0A	008	\$1.50
26	NUT, HEX. (5MM) 94001-05000-0S	004	\$1.50
27	WASHER, SPRING (3MM) 94111-03000	008	\$1.50
28	WASHER, SPRING (5MM) 94111-05000	010	\$1.50
29	WASHER, SPRING (6MM) 94111-06000	002	\$1.50
30	BULK HOSE (3.5X3000) 95001-35003-60M	002	\$7.74
31	CLIP, TUBE (B7) 95002-02070	006	\$1.50
32	JET, SLOW (#40) 99124-076-0400	001	\$5.60
33	JET SET (#100) 99202-601-1000	001	\$3.98

[\(close window\)](#)

**JT Motorsports**  
105 W Parker Rd  
Jonesboro, AR 72404  
870-932-9001  
www.crotchrocket.com

**1973 HONDA**  
**CB500K2**  
September 26, 2006  
(prices subject to change without notice)

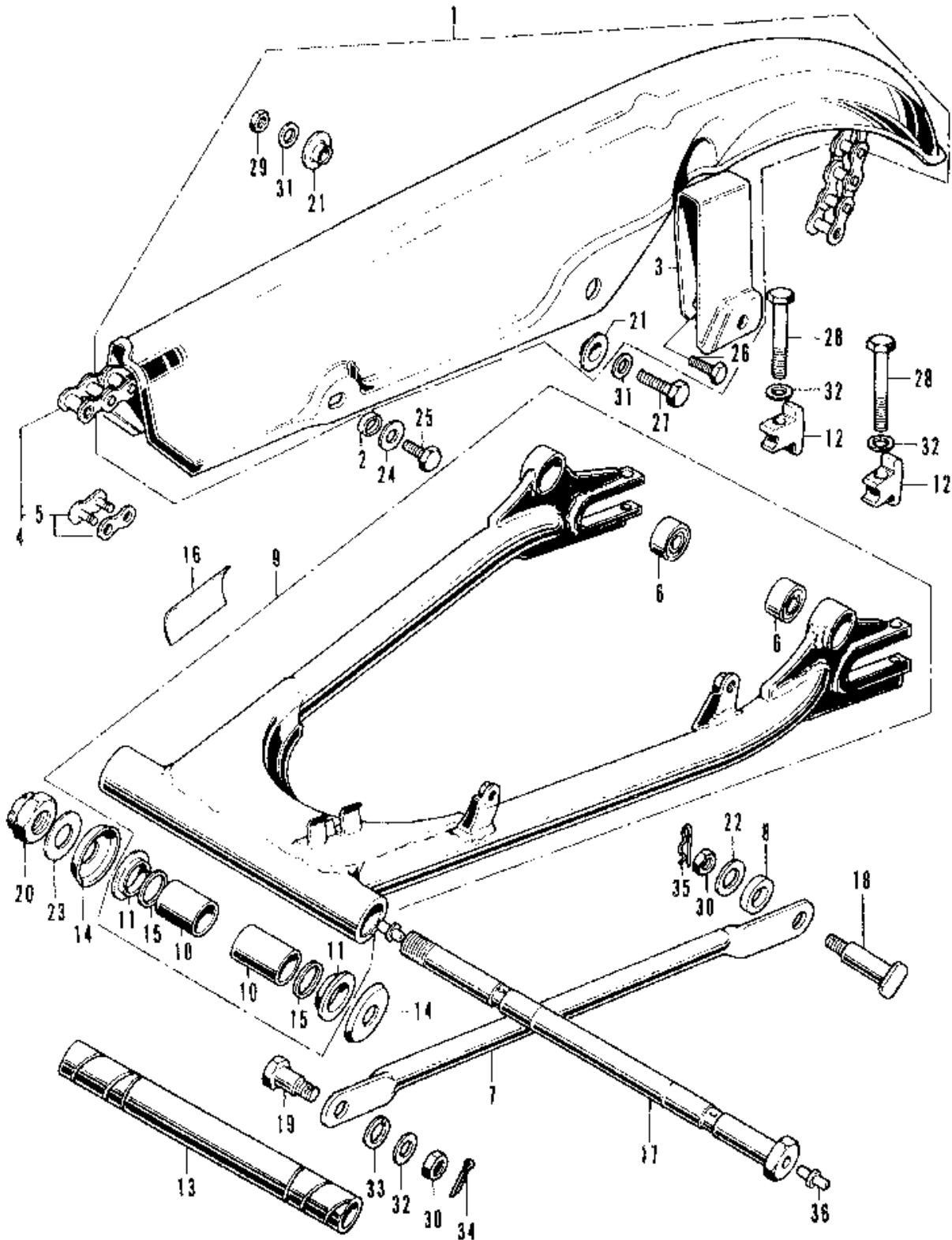
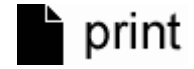


print

(close window)

**JT Motorsports**  
 105 W Parker Rd  
 Jonesboro, AR 72404  
 870-932-9001  
 www.crotchrocket.com

**1973 HONDA  
 CB500K2  
 CHAIN CASE @ SWINGARM**  
 September 26, 2006



REF#	PART	#REQ	REMARKS	YOUR PRICE
01	CASE *NH1* 40510-323-000B	001		\$34.48
02	COLLAR, CHAIN CASE 40511-300-000	001		\$3.59
03	PLATE 40512-300-000	001		\$6.69
04	CHAIN, DRIVE 40530-323-315	001		\$100.54
05	MASTER LINK 40531-341-305	001		\$4.44

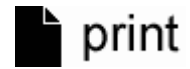
06	RUBBER, RR. SWINGARM 40548-268-000	002	\$4.19
07	ARM, RR. 43431-340-000	001	\$6.89
08	RUBBER 43434-286-000	001	\$1.50
09	SWINGARM, RR. *NH1* 52100-323-040B	001	\$241.19
10	BUSH, RR. SWINGARM 52108-300-300	002	\$20.11
11	BUSH, RR. 52109-283-300	002	\$6.98
12	STOPPER 52136-300-000	002	\$9.95
13	COLLAR, RR. 52141-300-000	001	\$38.73
14	CAP, DUST SEAL 52144-283-010	002	\$2.24
15	RING, RR. 52145-283-000	002	\$1.56
16	LABEL 87504-028-670	001	\$1.50
17	BOLT, RR. SWINGARM 90121-300-000	001	\$25.76
18	BOLT, RR. 90127-323-000	001	\$1.82
19	BOLT, RR. 90133-286-000	001	\$2.60
20	NUT, LOCK (14MM) 90354-268-000	001	\$3.54
21	WASHER (6X20) 90512-300-000	002	\$1.50
22	WASHER A 90524-030-000	001	\$1.50
23	WASHER, RR. 90526-268-000	001	\$1.74
24	WASHER (18MM) 90581-831-650	001	\$1.50
24	WASHER (18MM) 90581-831-650	001	\$1.50
25	BOLT, HEX. (6X12) 92101-06012-0A	001	\$1.50
25	BOLT, HEX. (6X12) 92101-06012-0A	001	\$1.50
25	BOLT, HEX. (6X12) 92101-06012-0A	001	\$1.50
26	BOLT, HEX. (6X14) 92101-06014-0A	001	\$1.50
26	BOLT, HEX. (6X14) 92101-06014-0A	001	\$1.50
27	BOLT, HEX. (6X16) 92101-06016-0A	001	\$1.50
27	BOLT, HEX. (6X16) 92101-06016-0A	001	\$1.50
27	BOLT, HEX. (6X16) 92101-06016-0A	001	\$1.50
27	BOLT, HEX. (6X16) 92101-06016-0A	001	\$1.50
27	BOLT, HEX. (6X16) 92101-06016-0A	001	\$1.50
27	BOLT, HEX. (6X16) 92101-06016-0A	001	\$1.50
28	BOLT, HEX. (8X40) 92101-08040-0A	002	\$1.50
28	BOLT, HEX. (8X40) 92101-08040-0A	002	\$1.50
29	NUT, HEX. (6MM) 94001-06200-0S	001	\$1.50
29	NUT, HEX. (6MM) 94001-06200-0S	001	\$1.50
29	NUT, HEX. (6MM) 94001-06200-0S	001	\$1.50
29	NUT, HEX. (6MM) 94001-06200-0S	001	\$1.50
29	NUT, HEX. (6MM) 94001-06200-0S	001	\$1.50
29	NUT, HEX. (6MM) 94001-06200-0S	001	\$1.50
29	NUT, HEX. (6MM) 94001-06200-0S	001	\$1.50
29	NUT, HEX. (6MM) 94001-06200-0S	001	\$1.50
30	NUT, HEX. (8MM) 94001-08000-0S	002	\$1.50
32	WASHER, PLAIN (8MM) 94101-08000	003	\$1.50
33	WASHER, SPRING (8MM) 94111-10000	001	\$1.50
34	PIN, COTTER (2.0X35) 94201-20350	001	\$1.50
34	PIN, COTTER (2.0X35) 94201-20350	001	\$1.50
34	PIN, COTTER (2.0X22) 94201-20220	001	\$1.50
34	PIN, COTTER (2.0X35) 94201-20350	001	\$1.50
34	PIN, COTTER (2.0X35) 94201-20350	001	\$1.50

34	PIN, COTTER (2.0X35) 94201-20350	001	\$1.50
34	PIN, COTTER (2.0X35) 94201-20350	001	\$1.50
34	PIN, COTTER (2.0X22) 94201-29220	001	\$1.50
35	PIN, LOCK (8MM) 94251-08000	001	\$1.50
36	FITTING (A.45) 96201-30001	002	\$1.50

[\(close window\)](#)

**JT Motorsports**  
105 W Parker Rd  
Jonesboro, AR 72404  
870-932-9001  
www.crotchrocket.com

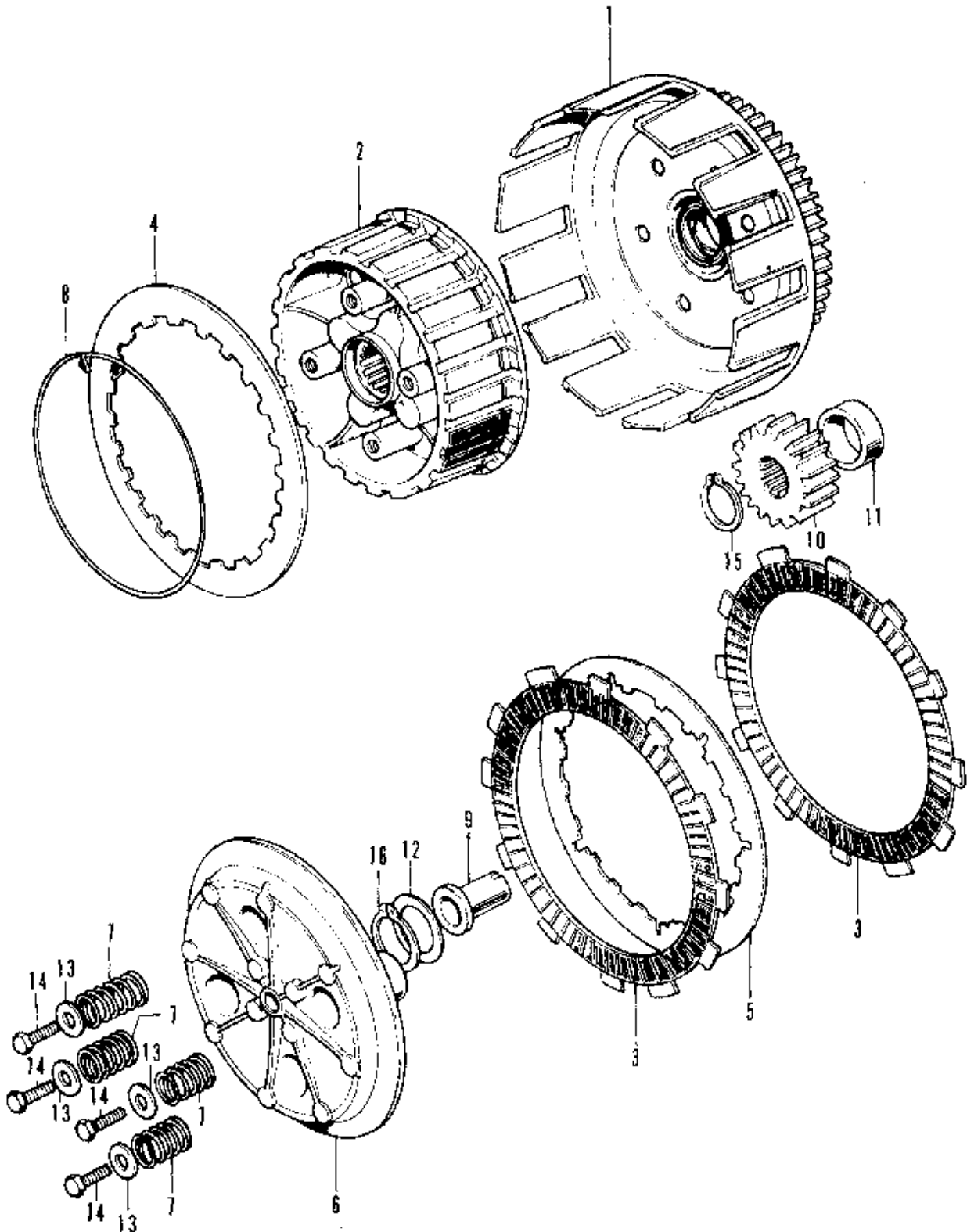
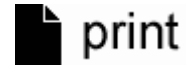
**1973 HONDA  
CB500K2**  
September 26, 2006  
(prices subject to change without notice)



(close window)

**JT Motorsports**  
 105 W Parker Rd  
 Jonesboro, AR 72404  
 870-932-9001  
 www.crotchrocket.com

**1973 HONDA**  
**CB500K2**  
**CLUTCH**  
 September 26, 2006



REF#	PART	#REQ	REMARKS	YOUR PRICE
01	CLUTCH (OUTER) 22100-323-000	001		\$141.22
02	CENTER, CLUTCH 22120-323-010	001		\$53.40
03	DISK, CL FRICTION 22201-KY2-000	007		\$8.28
03	DISK, CL FRICTION 22201-KY2-000	007		\$8.28
03	DISK, CL FRICTION 22201-KY2-000	007		\$8.28

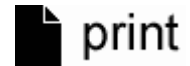
## Fiche Parts

05	PLATE B, CLUTCH 22321-323-000	006	\$10.32
05	PLATE B, CLUTCH 22321-KA4-700	006	\$10.32
06	PLATE, CLU PRESS 22350-329-000	001	\$25.10
06	PLATE, CLU PRESS 22350-329-000	001	\$25.10
07	SPRING, CLUTCH 22401-323-003	004	\$4.05
07	SPRING, CLUTCH 22401-323-003	004	\$4.05
07	SPRING, CLUTCH 22401-323-003	004	\$4.05
09	PIECE 22838-323-000	001	\$11.69
10	GEAR (23T) 23103-323-000	001	\$34.36
11	COLLAR (22X13.6) 23105-323-000	001	\$6.06
12	SPACER (0.1MM) 90458-323-010	AR	\$1.50
12	SPACER (0.3MM) 90459-323-010	AR	\$1.50
12	SPACER (0.5MM) 90460-323-010	AR	\$1.62
13	WASHER (6X19) 22501-323-000	004	\$2.66
14	BOLT, HEX. (6X20) 92020-06020	004	\$1.50
15	CIRCLIP (20MM) 94510-20000	001	\$1.50
16	CIRCLIP (25MM) 94510-25150	001	\$1.50

[\(close window\)](#)

**JT Motorsports**  
**105 W Parker Rd**  
**Jonesboro, AR 72404**  
**870-932-9001**  
[www.crotchrocket.com](http://www.crotchrocket.com)

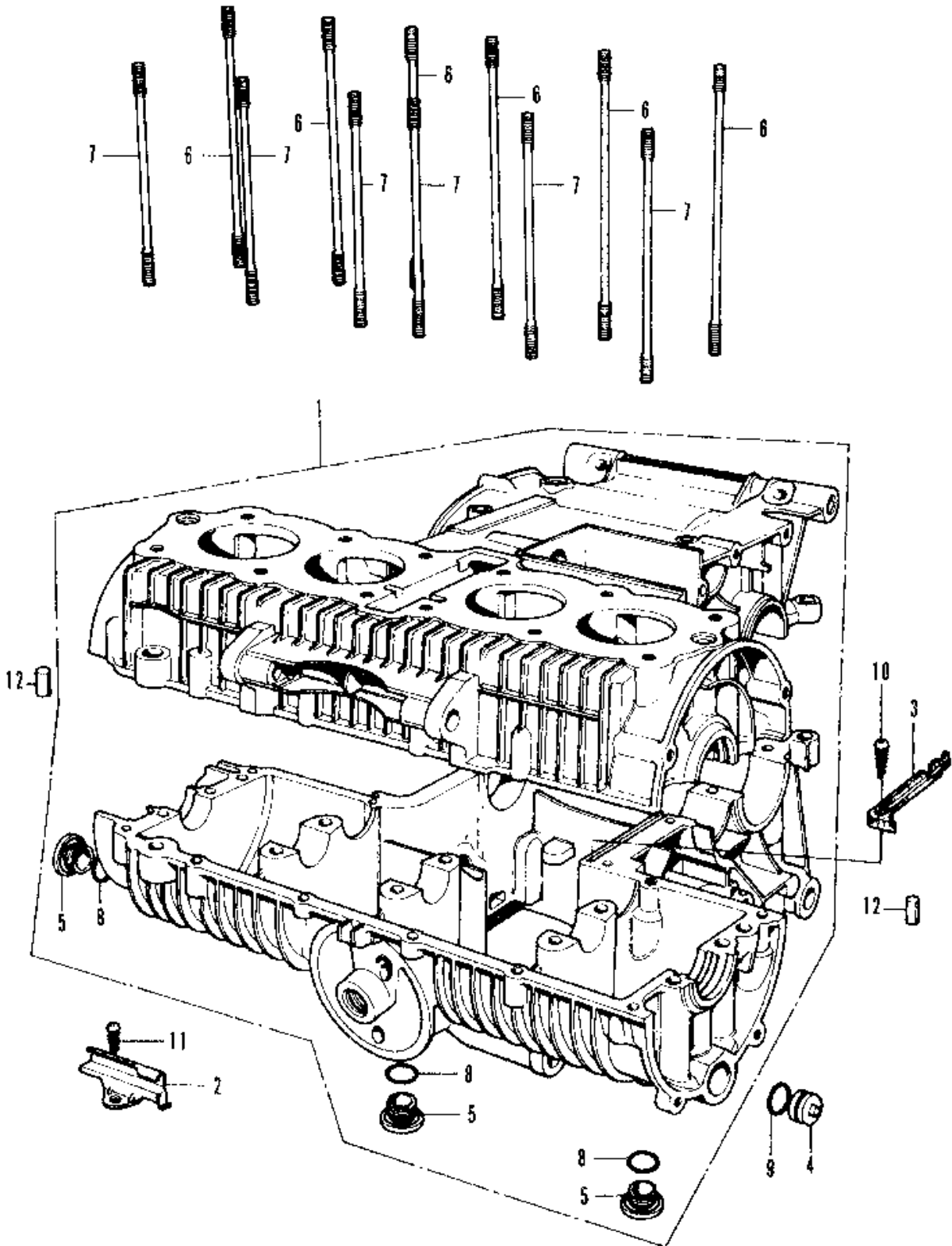
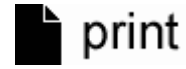
**1973 HONDA**  
**CB500K2**  
 September 26, 2006  
 (prices subject to change without notice)



(close window)

**JT Motorsports**  
 105 W Parker Rd  
 Jonesboro, AR 72404  
 870-932-9001  
 www.crotchrocket.com

**1973 HONDA  
 CB500K2  
 CRANKCASE**  
 September 26, 2006



REF#	PART	#REQ	REMARKS	YOUR PRICE
01	CRANKCASE SET 11000-323-000	001		\$697.32
02	GUIDE A, OIL 11202-323-000	001		\$3.57
03	GUIDE B, OIL 11203-323-010	001		\$8.78
04	PLUG, OIL PASSAGE 11207-323-000	001		\$2.27
05	CAP, OIL PASSAGE 15331-300-000	003		\$9.11

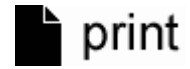


06	BOLT A, CYL STUD 90033-323-000	006	\$3.59
07	BOLT B, CYL STUD 90034-323-000	006	\$4.50
08	O-RING (19.4X2.8) 94608-40000	003	\$1.50
08	O-RING (19.4X2.8) 94608-40000	003	\$1.50
09	O-RING (13X2.5) 91319-300-000	001	\$2.96
10	SCREW, TAP (5X16) 93901-25310	001	\$1.50
11	SCREW, TAP (6X12) 93901-26110	001	\$1.50
12	PIN B, DOWEL (10X16) 94302-10160	002	\$1.50

[\(close window\)](#)

**JT Motorsports**  
105 W Parker Rd  
Jonesboro, AR 72404  
870-932-9001  
www.crotchrocket.com

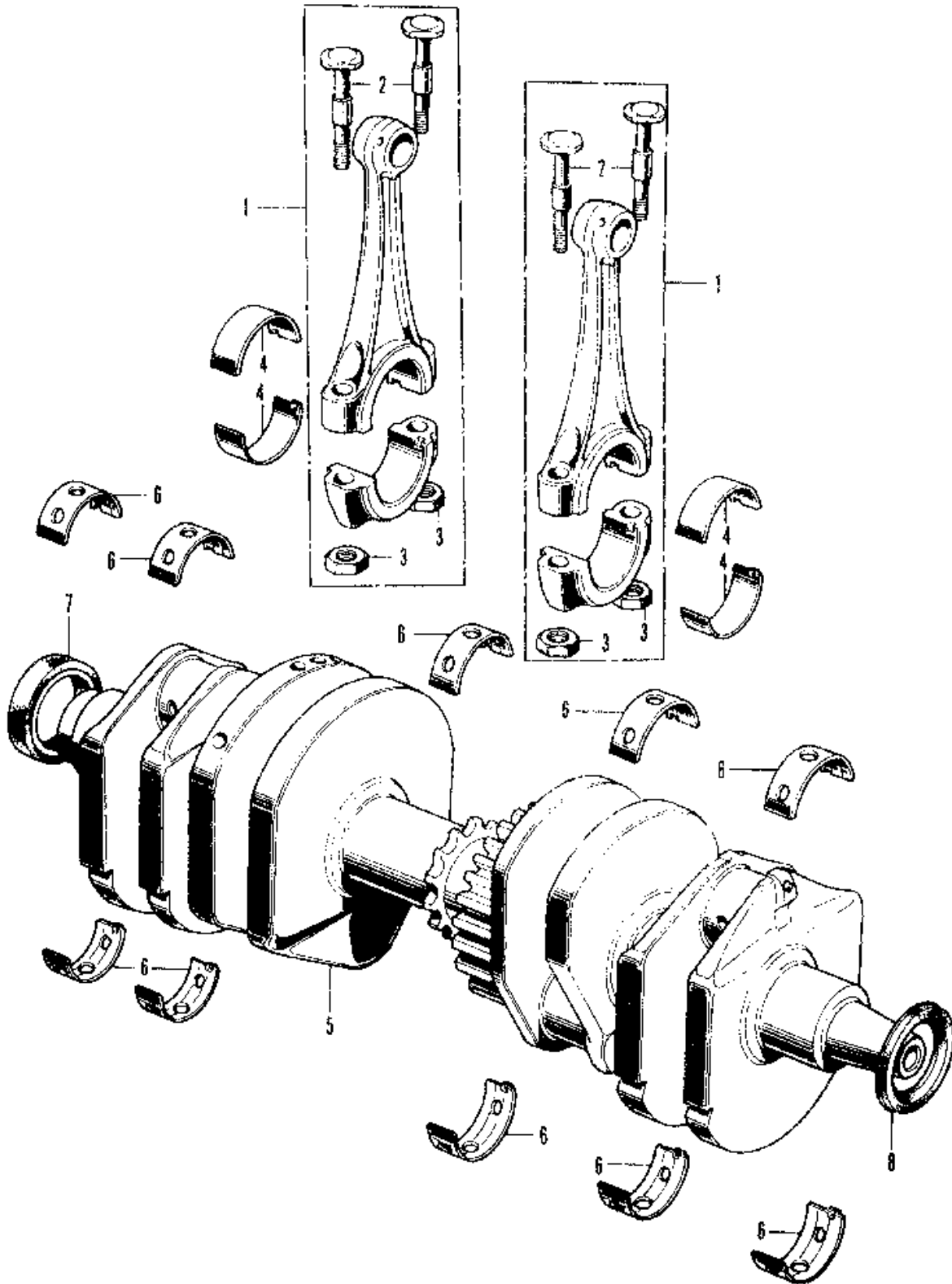
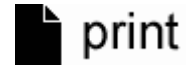
**1973 HONDA  
CB500K2**  
September 26, 2006  
(prices subject to change without notice)



(close window)

**JT Motorsports**  
 105 W Parker Rd  
 Jonesboro, AR 72404  
 870-932-9001  
 www.crotchrocket.com

**1973 HONDA**  
**CB500K2**  
**CRANKSHAFT**  
 September 26, 2006



REF#	PART	#REQ	REMARKS	YOUR PRICE
01	ROD D, CONNECTING 13204-323-000	004		\$87.90
01	ROD D, CONNECTING 13204-323-000	004		\$87.90
01	ROD E, CONNECTING 13205-323-000	004		\$101.14
01	ROD F, CONNECTING 13206-323-000	004		\$87.90
01	ROD F, CONNECTING 13206-323-000	004		\$87.90

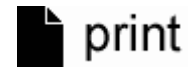
## Fiche Parts

02	BOLT, CONNECTING ROD 13213-323-300	008	\$9.57
02	BOLT, CONNECTING ROD 13213-333-003	008	\$9.57
03	NUT, CONNECTING ROD 13214-300-000	008	\$2.66
04	BEARING A, CONN ROD 13215-426-003	008	\$9.24
04	BEARING B, CONN ROD 13216-426-003	008	\$9.18
04	BEARING B, CONN ROD 13216-426-003	008	\$9.18
04	BEARING C, CONN ROD 13217-426-003	008	\$9.24
04	BEARING C, CONN ROD 13217-426-003	008	\$9.24
04	BEARING D, CONN ROD 13218-323-003	008	\$8.72
05	CRANKSHAFT 13300-323-000	001	\$404.18
06	BEARING A 13315-323-000	010	\$9.75
06	BRG B, CRANKSHAFT 13316-323-000	010	\$10.43
06	BRG C, CRANKSHAFT 13317-323-000	010	\$11.46
06	BRG D, CRANKSHAFT 13318-323-000	010	\$9.75
07	OIL SEAL (30X42X8) 91201-300-003	001	\$6.62
08	OIL SEAL (30X45X8) 91201-323-005	001	\$7.61

[\(close window\)](#)

**JT Motorsports**  
**105 W Parker Rd**  
**Jonesboro, AR 72404**  
**870-932-9001**  
[www.crotchrocket.com](http://www.crotchrocket.com)

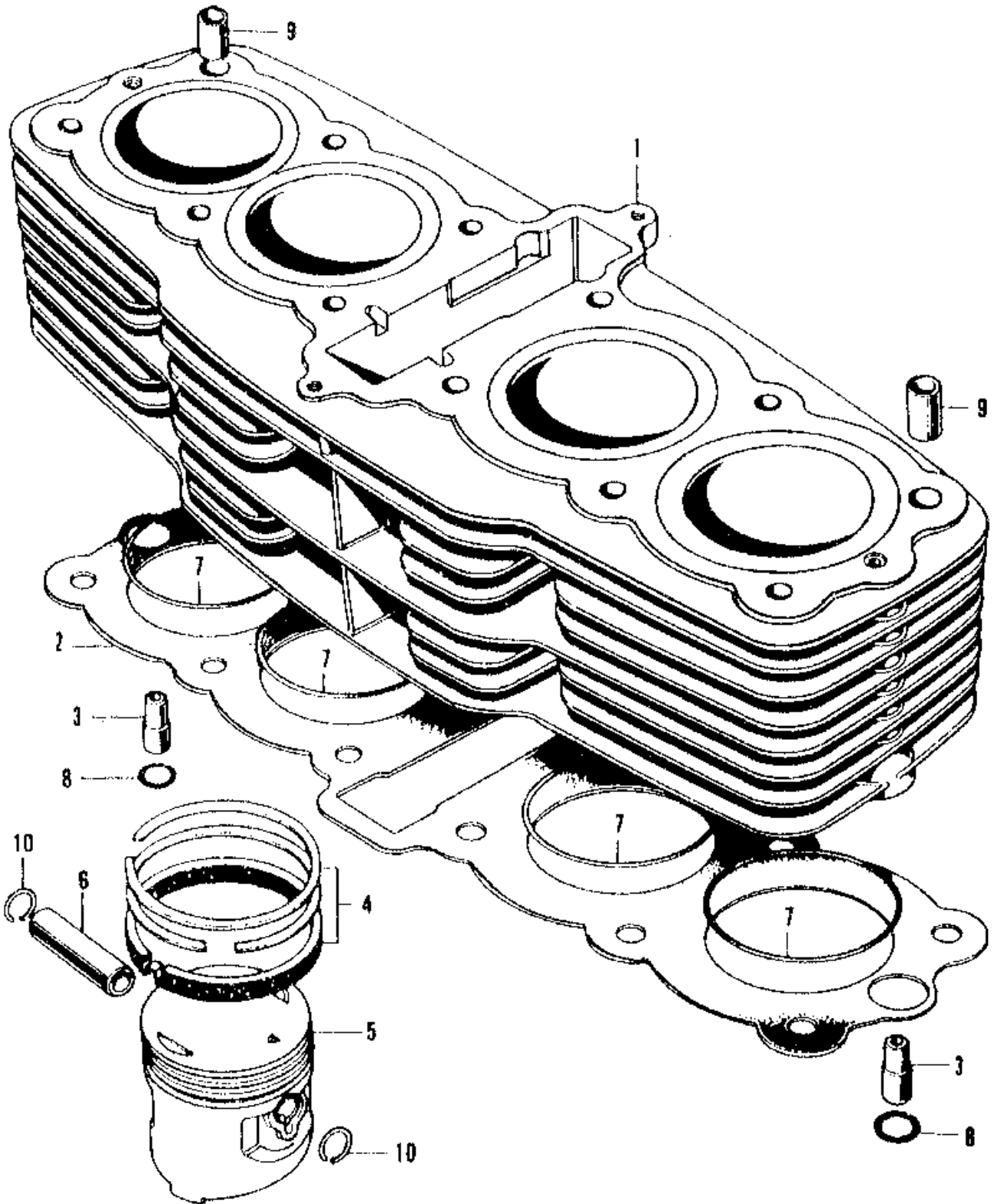
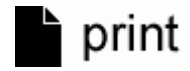
**1973 HONDA**  
**CB500K2**  
 September 26, 2006  
 (prices subject to change without notice)



(close window)

**JT Motorsports**  
 105 W Parker Rd  
 Jonesboro, AR 72404  
 870-932-9001  
 www.crotchrocket.com

**1973 HONDA**  
**CB500K2**  
**CYLINDER @ PISTON**  
 September 26, 2006



REF#	PART	#REQ	REMARKS	YOUR PRICE
01	CYLINDER 12100-323-000	001		\$378.41
02	GASKET, CYLINDER 12191-426-306	001		\$11.48
02	GASKET, CYLINDER 12191-426-306	001		\$11.48
02	GASKET, CYLINDER 12191-426-306	001		\$11.48
02	GASKET, CYLINDER 12191-426-306	001		\$11.48

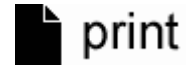
## Fiche Parts

03	VALVE, OIL CONTROL 12238-323-000	002	\$28.28
04	RING SET (STD) 13011-323-014	004	\$26.95
04	RING SET (STD) 13011-323-014	004	\$26.95
04	RING SET (OS 0.25) 13021-323-013	(4)	\$25.53
04	RING SET (OS 0.25) 13021-323-014	(4)	\$25.53
04	RING SET (OS 0.50) 13031-323-014	(4)	\$21.18
04	RING SET (OS 0.50) 13031-323-014	(4)	\$21.18
04	RING SET (0.75) 13041-323-014	(4)	\$21.18
04	RING SET (0.75) 13041-323-014	(4)	\$21.18
04	RING SET (1.00) 13051-323-013	(4)	\$25.53
04	RING SET (1.00) 13051-323-014	(4)	\$15.75
05	PISTON (STD) 13101-323-000	004	\$57.67
05	PISTON (0.25) 13102-323-405	(4)	\$28.77
05	PISTON (OS 0.50) 13103-323-000	(4)	\$59.13
05	PISTON (1.00) 13105-323-000	(4)	\$36.32
06	PIN, PISTON 13111-440-000	004	\$12.95
06	PIN, PISTON 13111-440-000	004	\$12.95
07	O-RING (61.8X2.0) 91304-286-000	004	\$4.91
08	O-RING (11X2.5) 91310-426-000	002	\$2.73
08	O-RING (11X2.5) 91310-426-000	002	\$2.73
08	O-RING (11X2.5) 91310-426-000	002	\$2.73
09	PIN, DOWEL (12X18) 94301-12180	002	\$1.50
10	CLIP (15MM) 94601-15000	008	\$1.50

[\(close window\)](#)

**JT Motorsports**  
**105 W Parker Rd**  
**Jonesboro, AR 72404**  
**870-932-9001**  
[www.crotchrocket.com](http://www.crotchrocket.com)

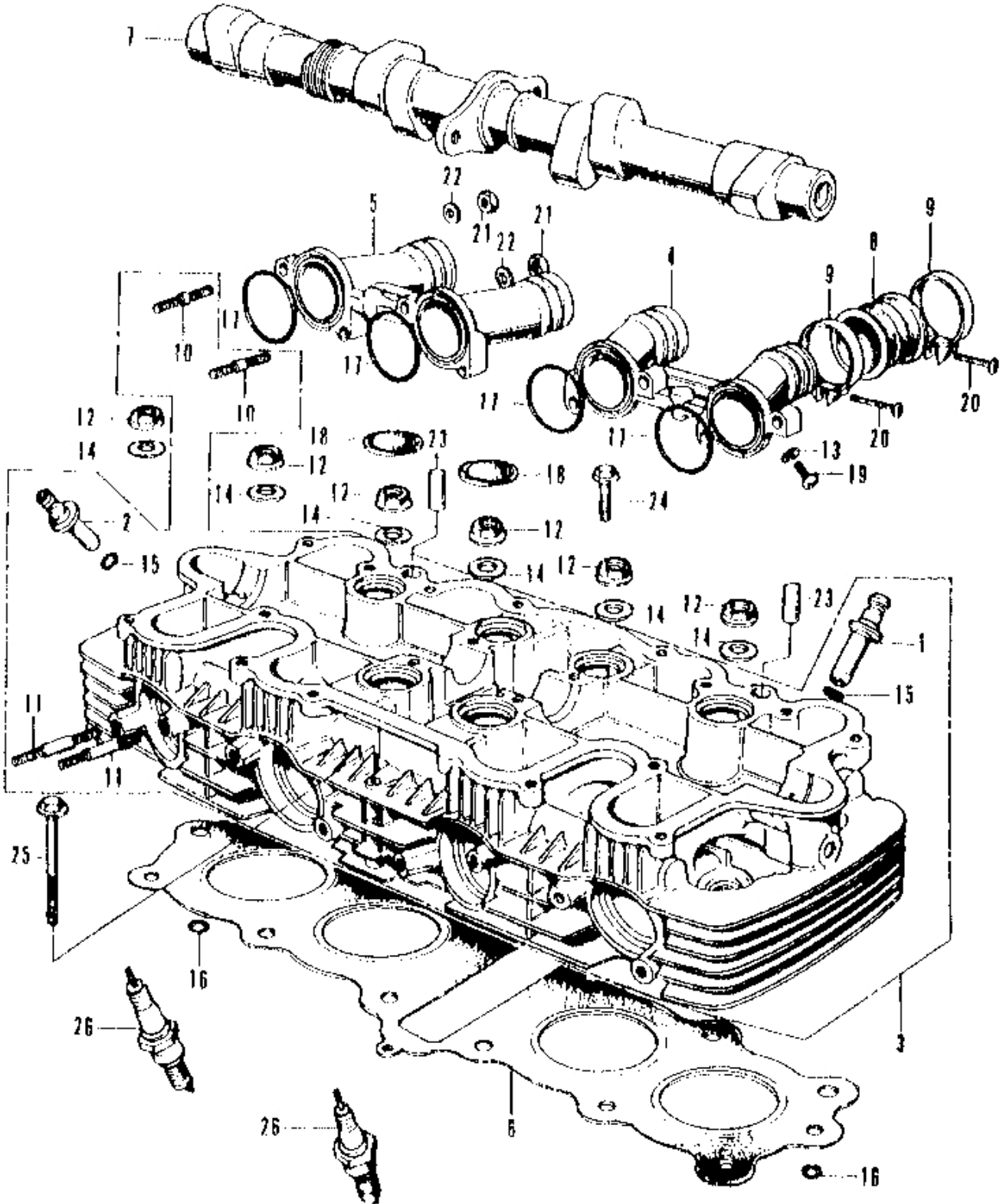
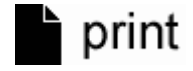
**1973 HONDA**  
**CB500K2**  
 September 26, 2006  
 (prices subject to change without notice)



(close window)

**JT Motorsports**  
 105 W Parker Rd  
 Jonesboro, AR 72404  
 870-932-9001  
 www.crotchrocket.com

**1973 HONDA  
 CB500K2  
 CYLINDER HEAD @ CAMSHAFT**  
 September 26, 2006



REF#	PART	#REQ	REMARKS	YOUR PRICE
01	GUIDE, VALVE 12021-323-300	004		\$9.93
01	GUIDE, VALVE 12023-465-405	004		\$9.93
02	GUIDE, EX. VALVE 12023-324-405	004		\$14.93
02	GUIDE, EX. VALVE 12023-324-405	004		\$14.93
02	GUIDE, EX. VALVE 12023-324-405	004		\$14.93

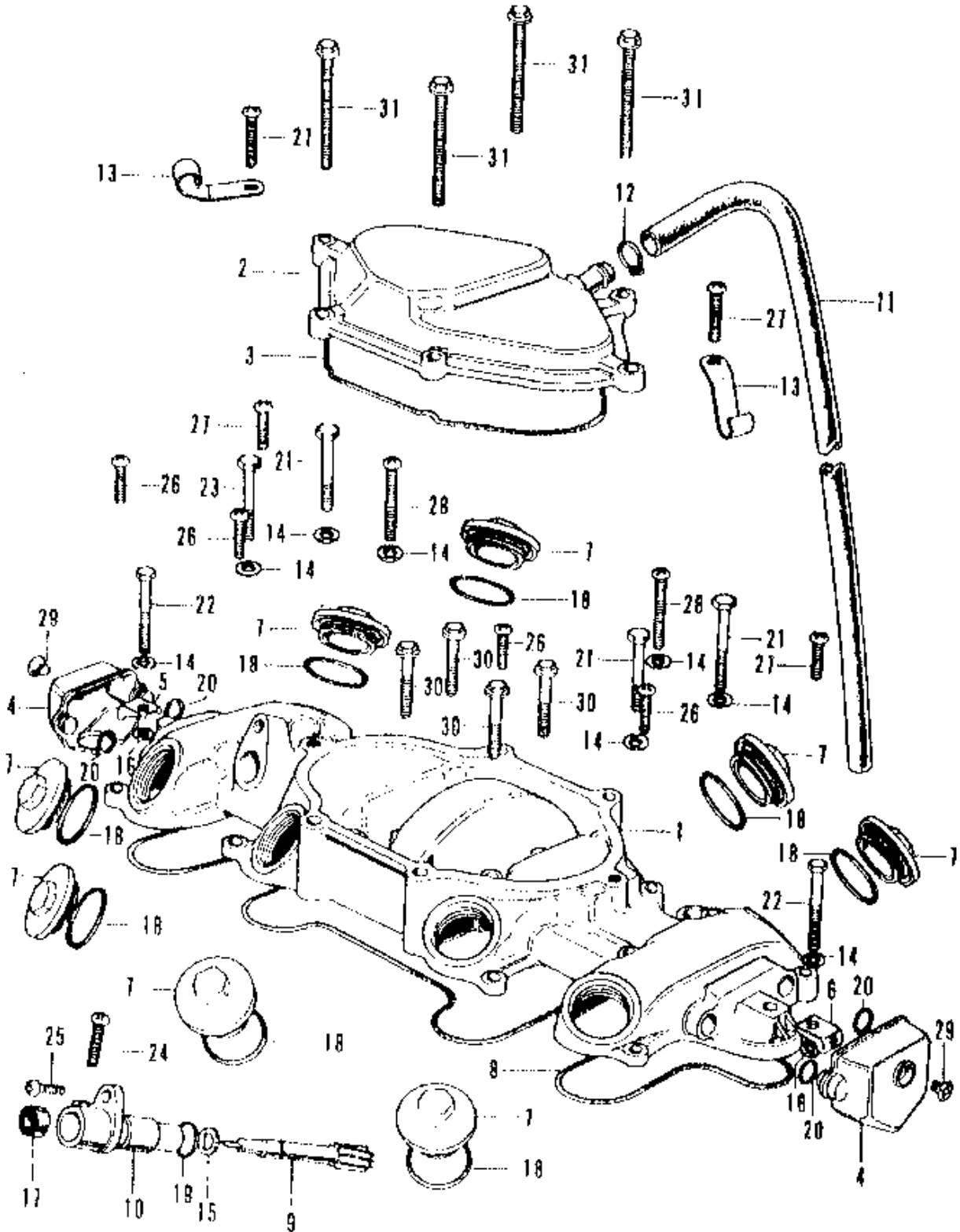
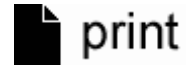
03	CYLINDER HEAD 12200-374-000	001	\$531.50
03	CYLINDER HEAD 12200-374-000	001	\$531.50
03	CYLINDER HEAD 12200-374-000	001	\$531.50
04	MANIFOLD A, IN. 12241-323-000	001	\$33.87
05	MANIFOLD B, IN. 12242-323-000	001	\$34.85
06	GASKET, CYL HD 12251-374-306	001	\$48.72
06	GASKET, CYL HD 12251-374-306	001	\$48.72
06	GASKET, CYL HD 12251-374-306	001	\$48.72
06	GASKET, CYL HD 12251-374-306	001	\$48.72
06	GASKET, CYL HD 12251-374-306	001	\$48.72
07	CAMSHAFT 14101-323-000	001	\$171.35
08	INSULATOR, CARB 16211-323-000	004	\$7.74
09	BAND (44) 95018-44250	008	\$3.27
09	BAND (44) 95018-44250	008	\$3.27
09	BAND (44) 95018-44250	008	\$3.27
10	BOLT, STUD (6X32) 90043-323-300	008	\$1.50
11	BOLT, STUD (6X40) 90044-323-300	008	\$1.67
12	NUT, FLANGE (8MM) 94050-08000	012	\$1.50
12	NUT, FLANGE (8MM) 94050-08000	012	\$1.50
12	NUT, FLANGE (8MM) 94050-08000	012	\$1.50
13	WASHER (5MM) 90452-323-000	004	\$1.50
14	WASHER (14MM) 90485-035-000	012	\$1.50
15	O-RING (10X1.6) 91301-200-000	008	\$1.77
16	O-RING (4.9X2.5) 91301-426-010	002	\$1.50
16	O-RING (4.9X2.5) 91301-426-010	002	\$1.50
16	O-RING (4.9X2.5) 91301-426-010	002	\$1.50
17	O-RING (30.8MM) 91302-001-020	004	\$2.31
18	RUBBER, SEALING 91318-300-013	006	\$2.54
19	SCREW, PAN (5X6) 93500-05006-0A	004	\$1.50
20	SCREW, PAN (5X20) 93500-05020-0A	008	\$1.50
21	NUT, HEX. (6MM) 94001-06200-0S	008	\$1.50
21	NUT, HEX. (6MM) 94001-06200-0S	008	\$1.50
21	NUT, HEX. (6MM) 94001-06200-0S	008	\$1.50
21	NUT, HEX. (6MM) 94001-06200-0S	008	\$1.50
21	NUT, HEX. (6MM) 94001-06200-0S	008	\$1.50
21	NUT, HEX. (6MM) 94001-06200-0S	008	\$1.50
21	NUT, HEX. (6MM) 94001-06200-0S	008	\$1.50
21	NUT, HEX. (6MM) 94001-06200-0S	008	\$1.50
22	WASHER, PLAIN (6MM) 94101-06800	008	\$1.50
22	WASHER, PLAIN (6MM) 94101-06800	008	\$1.50
22	WASHER, PLAIN (6MM) 94101-06800	008	\$1.50
23	PIN B, DOWEL (10X16) 94302-10160	002	\$1.50
24	BOLT, FLANGE (6X32) 95701-06032-00	001	\$1.50
24	BOLT, FLANGE (6X32) 95701-06032-00	001	\$1.50
25	BOLT, FLANGE (6X65) 95701-06065-00	001	\$1.50
25	BOLT, FLANGE (6X65) 95701-06065-00	001	\$1.50
26	SPARK PLUG (D7EA) 98069-57717	004	\$1.79
26	SPARK PLUG (D7EA) 98069-57717	004	\$1.79
26	SPARK PLUG (D7EA) 98069-57717	004	\$1.79

(close window)

**JT Motorsports**  
 105 W Parker Rd  
 Jonesboro, AR 72404  
 870-932-9001  
 www.crotchrocket.com

**1973 HONDA  
 CB500K2  
 CYLINDER HEAD COVER**

September 26, 2006



REF#	PART	#REQ	REMARKS	YOUR PRICE
01	COVER, CYLINDER HEAD 12310-323-010	001		\$231.92
01	COVER, CYLINDER HEAD 12310-323-010	001		\$231.92
02	COVER, BREATHER 12320-323-000	001		\$29.91
03	GASKET, BTHR CVR 12329-323-000	001		\$6.36
04	COVER, CYL HD SIDE 12330-323-000	002		\$11.99



05	PLATE A, CYL CVR 12335-323-000	001	\$3.03
06	PLATE B, CYL CVR 12336-323-000	001	\$1.79
07	CAP, VALVE ADJ. 12361-300-000	008	\$6.95
08	GASKET, CYL HD CVR 12391-323-000	001	\$28.46
09	GEAR, TACHOMETER 12431-323-000	001	\$20.00
10	CAP, TACHOMETER 12451-323-000	001	\$25.31
11	TUBE C, BREATHER 15763-300-303	001	\$8.43
12	CLIP, OIL DRAIN 15707-634-000	001	\$2.22
12	CLIP, BREATHER TUBE 15772-292-010	001	\$1.88
13	CLIP, COIL CABLE 32906-028-000	002	\$1.50
14	WASHER (11MM) 90425-300-000	008	\$1.50
15	WASHER, THRUST (7MM) 90451-292-000	001	\$1.50
16	WASHER (6.5MM) 90485-001-000	002	\$1.50
17	OIL SEAL 91256-096-651	001	\$2.81
17	OIL SEAL 91256-096-651	001	\$2.81
18	O-RING (30.8MM) 91302-001-020	008	\$2.31
19	O-RING (11X2.5) 91310-426-000	001	\$2.73
19	O-RING (11X2.5) 91310-426-000	001	\$2.73
19	O-RING (11X2.5) 91310-426-000	001	\$2.73
20	O-RING (6X3) 91319-323-000	004	\$1.50
21	BOLT, HEX. (6X40) 92101-06040-0A	005	\$1.50
21	BOLT, HEX. (6X40) 92101-06040-0A	005	\$1.50
21	BOLT, HEX. (6X40) 92101-06040-0A	005	\$1.50
22	BOLT, HEX. (6X45) 92101-06045-0A	002	\$1.50
22	BOLT, HEX. (6X45) 92101-06045-0A	002	\$1.50
22	BOLT, HEX. (6X45) 92101-06045-0A	002	\$1.50
23	BOLT, HEX. (6X55) 92101-06055-0A	001	\$1.50
23	BOLT, HEX. (6X55) 92101-06055-0A	001	\$1.50
23	BOLT, HEX. (6X55) 92101-06055-0A	001	\$1.50
23	BOLT, HEX. (6X55) 92101-06055-0A	001	\$1.50
23	BOLT, HEX. (6X55) 92101-06055-0A	001	\$1.50
24	SCREW, PAN (5X20) 93500-05020-0A	001	\$1.50
25	SCREW, PAN (6X16) 93500-06016-0A	001	\$1.50
25	SCREW, PAN (6X16) 93500-06016-0A	001	\$1.50
26	SCREW, PAN (6X20) 93500-06020	004	\$1.50
26	SCREW, PAN (6X20) 93500-06020-0A	004	\$1.50
27	SCREW, PAN (6X25) 93500-06025	004	\$1.50
28	SCREW, PAN (6X40) 93500-06040-0A	002	\$1.50
28	SCREW, PAN (6X40) 93500-06040-0A	002	\$1.50
29	SCREW, OVAL (6X10) 93700-06010-0B	002	\$1.50
29	SCREW, OVAL (6X10) 93700-06010-0B	002	\$1.50
30	BOLT, FLANGE (6X32) 95701-06032-00	004	\$1.50
30	BOLT, FLANGE (6X32) 95701-06032-00	004	\$1.50
31	BOLT, FLANGE (6X65) 95701-06065-00	004	\$1.50
31	BOLT, FLANGE (6X65) 95701-06065-00	004	\$1.50

[\(close window\)](#)

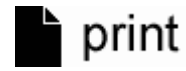
**JT Motorsports**  
105 W Parker Rd  
Jonesboro, AR 72404

**1973 HONDA**  
**CB500K2**

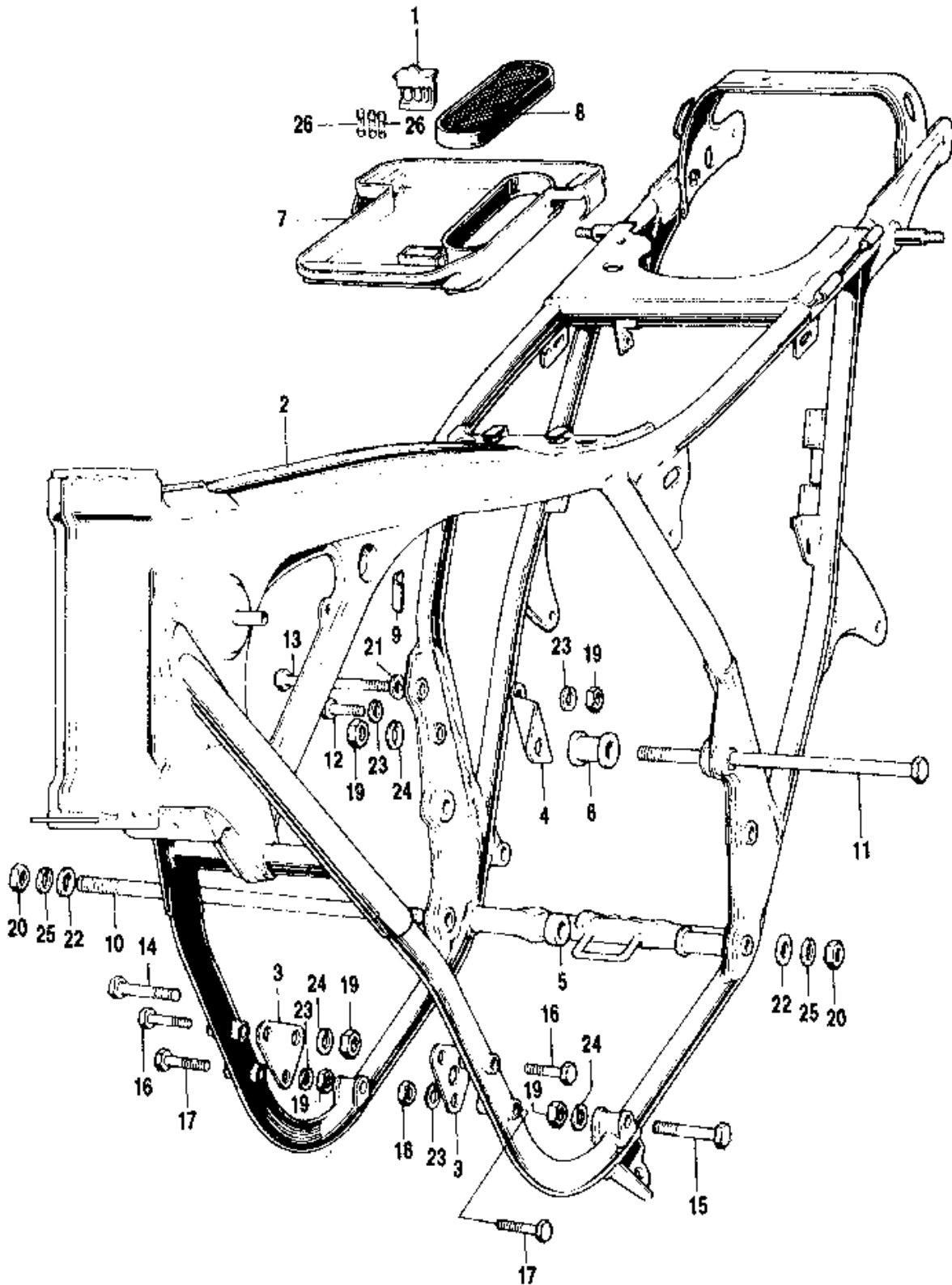
(close window)

**JT Motorsports**  
 105 W Parker Rd  
 Jonesboro, AR 72404  
 870-932-9001  
 www.crotchrocket.com

**1973 HONDA  
 CB500K2  
 FRAME**



September 26, 2006



REF#	PART	#REQ	REMARKS	YOUR PRICE
01	CASE, FUSE 38206-431-000	001		\$2.58
02	FRAME *NH1* 50100-323-674B	001		\$768.16
03	BRACKET, FR. *NH1* 50351-323-010B	002		\$3.11
04	BRACKET, RR. *NH1* 50356-323-010B	001		\$8.73
05	COLR, R. ENGINE SIDE 50357-323-010	001		\$3.81

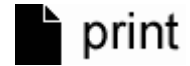
## Fiche Parts

06	COLR, L. ENGINE SIDE 50359-323-010	001	\$7.50
07	TRAY, TOOL 83501-323-020	001	\$13.68
08	NET, TOOL TRAY 83502-323-000	001	\$5.06
09	MARK 87506-323-670	001	\$1.50
10	BOLT, RR. ENG HGR 90107-323-000	001	\$14.60
11	BOLT, RR. ENG HGR 90108-323-000	001	\$12.06
12	BOLT, HEX. (8X40) 92101-08040-0A	001	\$1.50
12	BOLT, HEX. (8X40) 92101-08040-0A	001	\$1.50
13	BOLT, HEX. (8X100) 92101-08100-0A	001	\$1.50
13	BOLT, HEX. (8X100) 92101-08100-0A	001	\$1.50
14	BOLT, HEX. (10X50) 92200-10050-0A	002	\$1.50
15	BOLT, HEX. (10X80) 92200-10080-0A	002	\$1.50
16	BOLT, HEX. (8X50) 93101-08050-0A	002	\$1.50
17	BOLT, HEX. (8X55) 93000-08055-0A	002	\$1.50
18	NUT, HEX. (8MM) 94001-08000-0S	005	\$1.50
19	NUT, HEX. (10MM) 94030-10000	005	\$1.50
20	NUT, HEX. (12MM) 94030-12000	002	\$1.50
21	WASHER, PLAIN (8MM) 94101-08000	002	\$1.50
22	WASHER, PLAIN (12MM) 94101-12000	002	\$1.50
23	WASHER, SPRING (8MM) 94111-08000	006	\$1.50
24	WASHER, SPRING (8MM) 94111-10000	005	\$1.50
25	WASHER (12MM) 94111-12000	002	\$1.50
26	FUSE A (15A) 98200-11500	003	\$1.50

[\(close window\)](#)

**JT Motorsports**  
**105 W Parker Rd**  
**Jonesboro, AR 72404**  
**870-932-9001**  
[www.crotchrocket.com](http://www.crotchrocket.com)

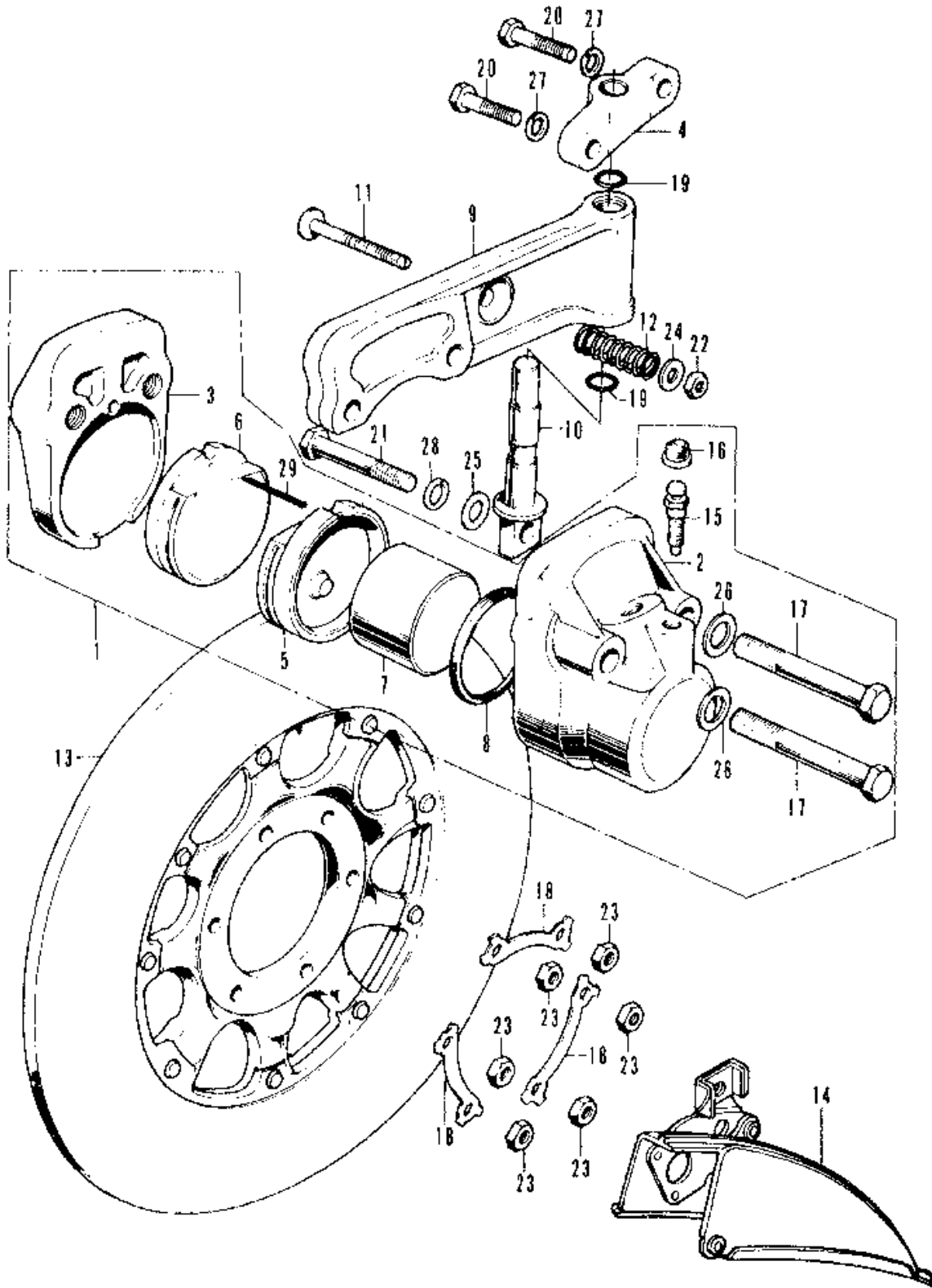
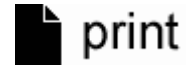
**1973 HONDA**  
**CB500K2**  
 September 26, 2006  
 (prices subject to change without notice)



(close window)

**JT Motorsports**  
 105 W Parker Rd  
 Jonesboro, AR 72404  
 870-932-9001  
 www.crotchrocket.com

**1973 HONDA  
 CB500K2  
 FRONT BRAKE CALIPER @ DISC**  
 September 26, 2006



REF#	PART	#REQ	REMARKS	YOUR PRICE
01	CALIPER ASSY 45100-390-405	001		\$179.99
01	CALIPER ASSY 45100-390-405	001		\$179.99
02	CALIPER A 45101-323-013	001		\$86.36
03	CALIPER B 45102-323-003	001		\$31.62
04	JOINT 45104-317-700	001		\$19.48

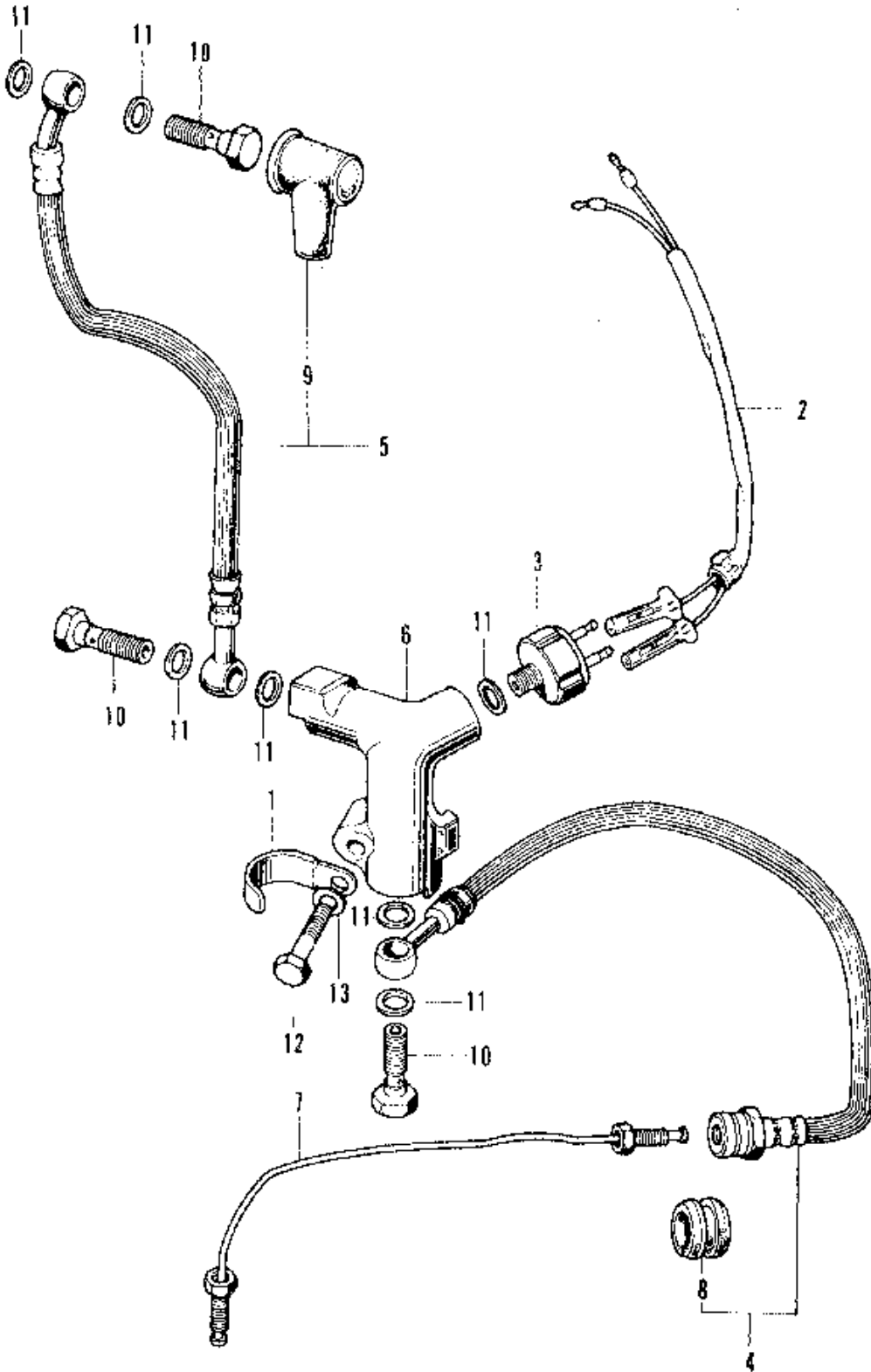
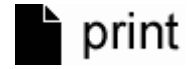
05	PAD COMP, A(NISS) 45105-390-305	001	\$25.31
05	PAD COMP, A(NISS) 45105-390-305	001	\$25.31
05	PAD COMP, A(NISS) 45105-390-305	001	\$25.31
05	PAD COMP, A(NISS) 45105-390-305	001	\$25.31
06	PAD,COMP,B 45106-390-305	001	\$25.31
06	PAD,COMP,B 45106-390-305	001	\$25.31
06	PAD,COMP,B 45106-390-305	001	\$25.31
06	PAD,COMP,B 45106-390-305	001	\$25.31
07	PISTON 45107-323-020	001	\$66.77
08	SEAL, PISTON 45108-300-003	001	\$5.96
09	HOLDER, CALIPER 45115-323-010	001	\$67.39
10	PIN, CALIPER HOLDER 45116-367-690	001	\$10.67
11	BOLT, CALIPER ADJ. 45117-341-700	001	\$3.11
11	BOLT, CALIPER ADJ. 45117-341-700	001	\$3.11
12	SPRING, CALIPER ADJ. 45119-300-020	001	\$2.73
13	DISK, FR. BRAKE 45120-374-700	001	\$243.45
13	DISK, FR. BRAKE 45120-374-700	001	\$243.45
14	COVER, DISK 45140-323-670	001	\$23.03
15	VALVE, BLEEDER 45224-579-013	001	\$8.09
16	CAP, BLEEDER SCREW 45225-579-013	001	\$2.27
17	BOLT 90165-323-000	002	\$4.80
18	WASHER A8, TONGUED 94108-18000	003	\$1.50
18	WASHER A8, TONGUED 94108-18000	003	\$1.50
19	O-RING (10X1.7) 91259-300-000	002	\$1.73
20	BOLT, HEX. (6X25) 92201-06025-0A	002	\$1.50
20	BOLT, HEX. (6X25) 92201-06025-0A	002	\$1.50
20	BOLT, HEX. (6X25) 92201-06025-0A	002	\$1.50
21	BOLT, HEX. (8X35) 92201-08035-0A	001	\$1.50
21	BOLT, HEX. (8X35) 92201-08035-0A	001	\$1.50
22	NUT, HEX. (6MM) 94001-06200-0S	001	\$1.50
22	NUT, HEX. (6MM) 94001-06200-0S	001	\$1.50
22	NUT, HEX. (6MM) 94001-06200-0S	001	\$1.50
22	NUT, HEX. (6MM) 94001-06200-0S	001	\$1.50
22	NUT, HEX. (6MM) 94001-06200-0S	001	\$1.50
22	NUT, HEX. (6MM) 94001-06200-0S	001	\$1.50
22	NUT, HEX. (6MM) 94001-06200-0S	001	\$1.50
22	NUT, HEX. (6MM) 94001-06200-0S	001	\$1.50
22	NUT, HEX. (6MM) 94001-06200-0S	001	\$1.50
22	NUT, HEX. (6MM) 94001-06200-0S	001	\$1.50
22	NUT, HEX. (6MM) 94001-06200-0S	001	\$1.50
22	NUT, HEX. (6MM) 94001-06200-0S	001	\$1.50
23	NUT, HEX. (8MM) 94001-08000-0S	006	\$1.50
24	WASHER, PLAIN (6MM) 94101-06800	001	\$1.50
24	WASHER, PLAIN (6MM) 94101-06800	001	\$1.50
24	WASHER, PLAIN (6MM) 94101-06800	001	\$1.50
25	WASHER, PLAIN (8MM) 94101-08000	001	\$1.50
26	WASHER, PLAIN (10MM) 94102-10000	002	\$1.50
27	WASHER, SPRING (6MM) 94111-06000	002	\$1.50
28	WASHER, SPRING (8MM) 94111-08000	001	\$1.50
29	PIN, COTTER (1.6X22) 94201-16220	001	\$1.50
NI	PAD, SET BRAKE 06455-390-405	001	\$40.50
NI	PAD, SET BRAKE 06455-390-405	001	\$40.50

(close window)

(close window)

**JT Motorsports**  
 105 W Parker Rd  
 Jonesboro, AR 72404  
 870-932-9001  
 www.crotchrocket.com

**1973 HONDA  
 CB500K2  
 FRONT BRAKE HOSE**  
 September 26, 2006



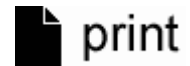
REF#	PART	#REQ	REMARKS	YOUR PRICE
01	CLAMP, CABLE 32111-323-000	001		\$2.15
02	SUB-WIRE, FR. 35345-319-000	001		\$3.41
03	SWITCH, STOP 35350-300-016	001		\$7.34
04	HOSE A, FR. BRAKE 45125-300-003	001		\$31.06
04	HOSE A, FR. BRAKE 45125-300-003	001		\$31.06

05	HOSE B, FR. BRAKE 45126-300-003	001	\$40.02
05	HOSE B, FR. BRAKE 45126-300-003	001	\$40.02
06	JOINT, THREE-WAY 45127-323-000	001	\$27.14
07	PIPE, FR. BRAKE 45128-323-020	001	\$7.28
08	GROMMET, BRAKE HOSE 45146-300-000	001	\$2.46
09	BOOT 45522-300-010	001	\$4.68
10	BOLT, OIL 90145-300-010	003	\$4.92
10	BOLT, OIL 90145-300-010	003	\$4.92
11	WASHER, OIL BOLT 90545-300-000	007	\$1.79
12	BOLT, HEX. (6X28) 92101-06028-0A	001	\$1.50
12	BOLT, HEX. (6X28) 92101-06028-0A	001	\$1.50
13	WASHER, SPRING (6MM) 94111-06000	001	\$1.50

[\(close window\)](#)

**JT Motorsports**  
105 W Parker Rd  
Jonesboro, AR 72404  
870-932-9001  
www.crotchrocket.com

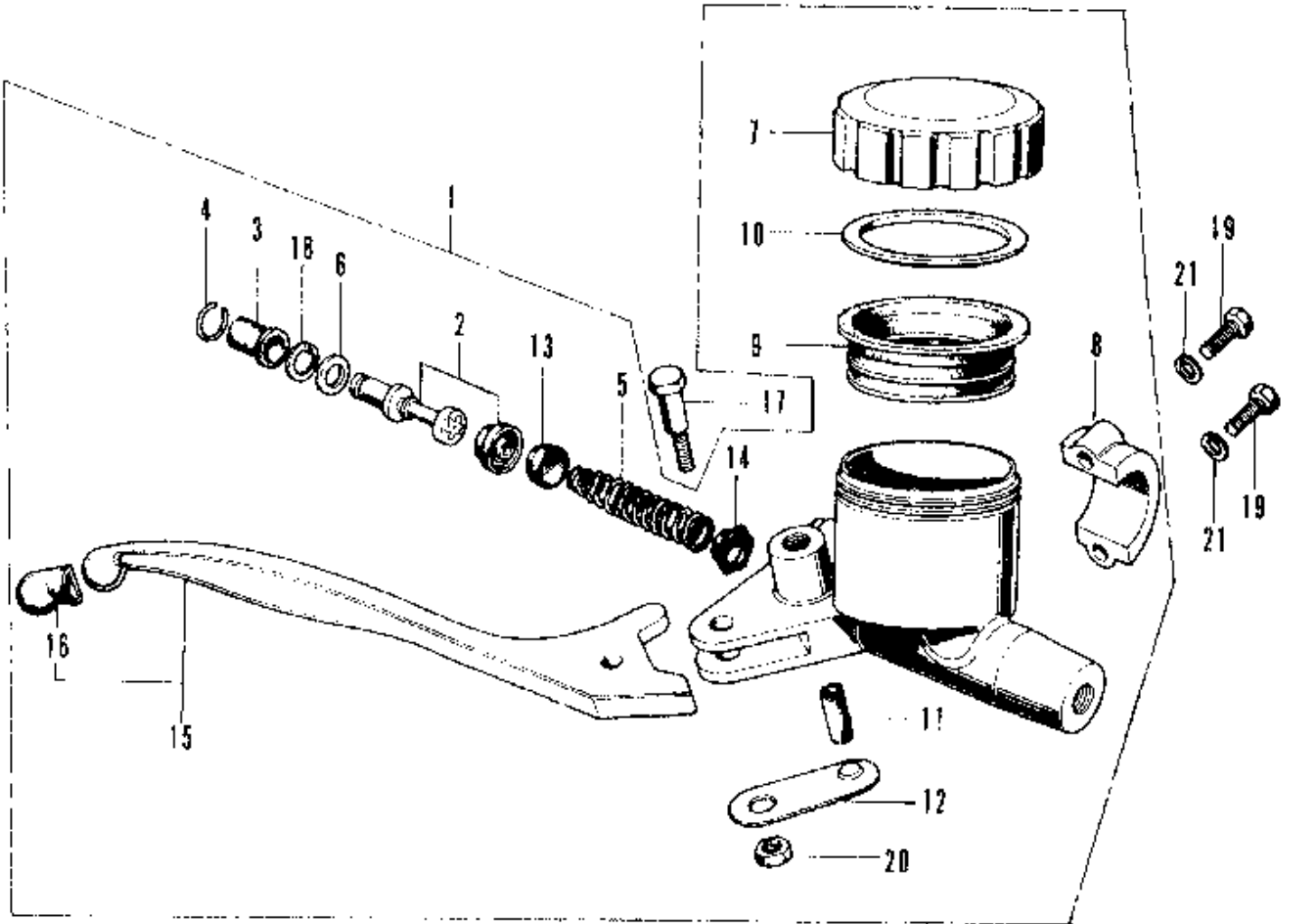
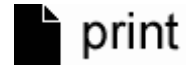
**1973 HONDA  
CB500K2**  
September 26, 2006  
(prices subject to change without notice)



(close window)

**JT Motorsports**  
 105 W Parker Rd  
 Jonesboro, AR 72404  
 870-932-9001  
 www.crotchrocket.com

**1973 HONDA  
 CB500K2  
 FRONT BRAKE MASTER @ CYLINDER**  
 September 26, 2006



REF#	PART	#REQ	REMARKS	YOUR PRICE
01	MASTER CYLINDER 45500-341-771	001		\$111.83
01	MASTER CYLINDER 45500-341-771	001		\$111.83
02	PISTON SET 45502-300-305	001		\$20.06
03	BOOT 45504-300-003	001		\$6.32
04	STOPPER, BOOT 45505-300-003	001		\$3.00
05	SPRING 45506-300-003	001		\$3.77
06	WASHER (10.5MM) 45512-300-003	001		\$1.73
07	CAP, OIL CUP 43513-MJ6-006	001		\$17.72
07	CAP, OIL CUP 43513-MJ6-006	001		\$17.72
07	CAP, OIL CUP 43513-MJ6-006	001		\$17.72
07	CAP, OIL CUP 43513-MJ6-006	001		\$17.72
08	HOLDER 45517-MA5-671	001		\$16.17
08	HOLDER 45517-MA5-671	001		\$16.17
09	DIAPHRAGM 45520-300-000	001		\$5.04
10	PLATE, DIAPHRAGM 45521-MJ6-006	001		\$2.34
10	PLATE, DIAPHRAGM 45521-MJ6-006	001		\$2.34
11	BUSH, R. 45526-341-000	001		\$2.82
12	PLATE	001		\$4.08

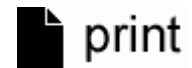


13	45527-300-000 CUP, FR. PRIMARY 46125-533-003	001	\$3.77
14	VALVE, CHECK 46140-533-003	001	\$8.76
15	LEVER, R. HANDLEBAR 53170-300-000	001	\$17.72
15	LEVER, R. HANDLEBAR 53170-333-000	001	\$17.72
15	LEVER, R. HANDLEBAR 53175-369-003	001	\$17.72
15	LEVER, R. HANDLEBAR 53175-369-003	001	\$17.72
16	CAP A, LEVER 95010-16001	001	\$2.25
16	CAP A, LEVER 95010-16001	001	\$2.25
16	CAP A, LEVER 95010-16001	001	\$2.25
17	BOLT 90114-300-000	001	\$4.26
18	CIRCLIP (18MM) 90651-377-003	001	\$1.50
19	BOLT, HEX. (6X25) 93101-06025-0B	002	\$1.50
19	BOLT, HEX. (6X25) 93101-06025-0B	002	\$1.50
19	BOLT, HEX. (6X25) 93101-06025-0B	002	\$1.50
20	NUT, HEX. (6MM) 94002-06000-0S	001	\$1.50
20	NUT, HEX. (6MM) 94002-06000-0S	001	\$1.50
21	WASHER, SPRING (6MM) 94111-06000	002	\$1.50

[\(close window\)](#)

**JT Motorsports**  
**105 W Parker Rd**  
**Jonesboro, AR 72404**  
**870-932-9001**  
[www.crotchrocket.com](http://www.crotchrocket.com)

**1973 HONDA**  
**CB500K2**  
 September 26, 2006  
 (prices subject to change without notice)

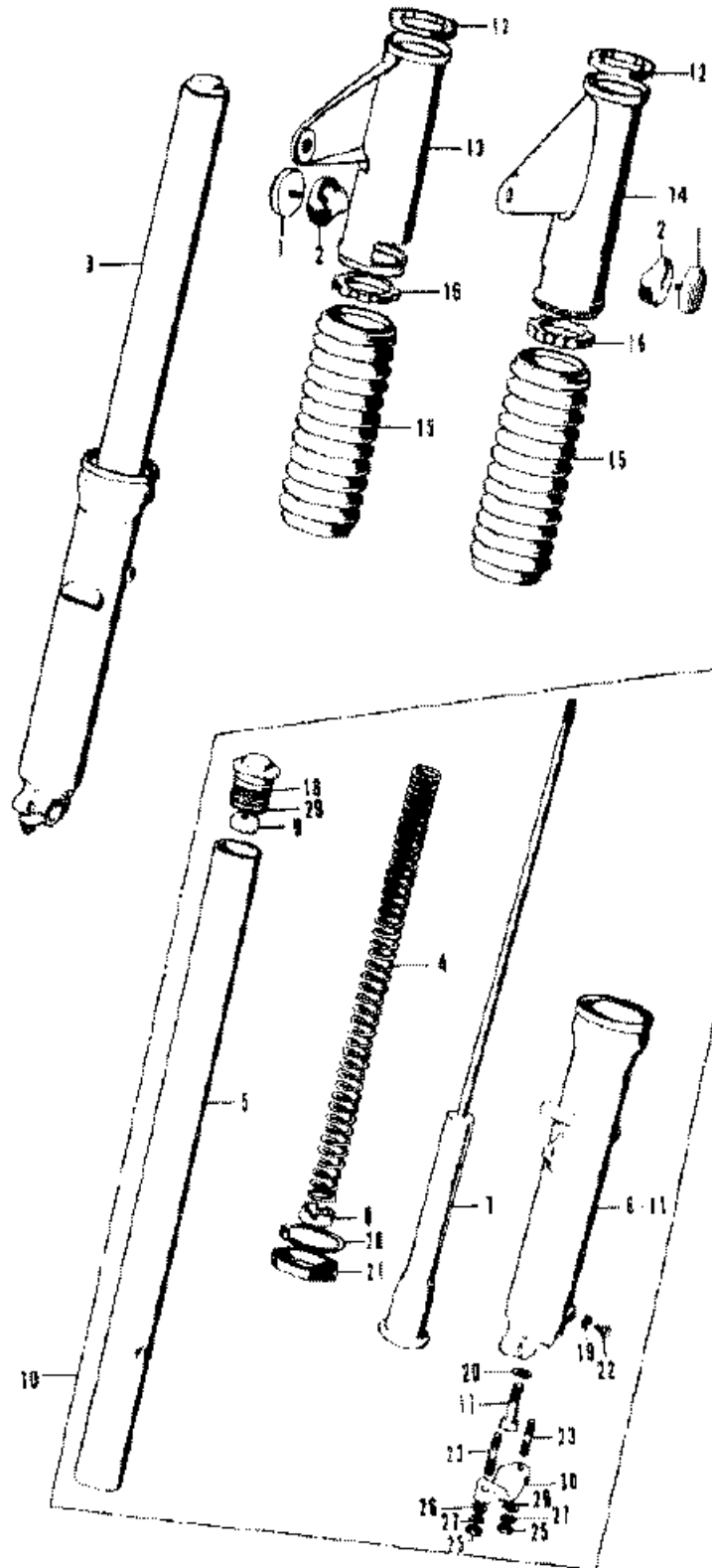
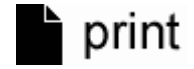


[\(close window\)](#)

**JT Motorsports**  
 105 W Parker Rd  
 Jonesboro, AR 72404  
 870-932-9001  
 www.crotchrocket.com

**1973 HONDA  
 CB500K2  
 FRONT SHOCK ABSORBER**

September 26, 2006



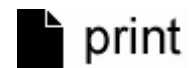
REF#	PART	#REQ	REMARKS	YOUR PRICE
01	REFLECTOR, FR. 33741-340-670	002		\$18.06
02	BASE, FR. 33743-341-670	002		\$3.62
03	S/ABS ASSY., R. FR. 51400-323-315	001		\$300.42
04	SPRING, FR. FORK 51401-323-010	002		\$23.06
05	PIPE, FR. FORK 51410-323-010	002		\$86.67

06	CASE, R. FR. FORK 51421-323-010	001	\$115.06
07	DAMPER 51430-323-020	002	\$28.03
08	SEAT, RUBBER SPRING 51461-323-010	002	\$5.43
09	NUT, LOCK (8MM) 51462-323-000	002	\$2.66
10	S/ABS ASSY., L. FR. 51500-323-315	001	\$300.42
11	CASE, L. FR. FORK 51521-323-010	001	\$97.55
12	RUB, FR. FORK COVER 51601-323-000	002	\$1.97
13	CVR, R. FR. *MRCR2* 51602-323-671XW	001	\$67.47
14	CVR, L. FR. *MRCR2* 51606-323-671XW	001	\$53.40
15	BOOT, FR. FORK 51611-300-000	002	\$22.76
16	RUBBER B, FR. 51622-323-000	002	\$3.63
17	BOLT, SOCKET (8X27) 90116-383-721	002	\$2.99
17	BOLT, SOCKET (8X27) 90116-383-721	002	\$2.99
18	BOLT, FR. FORK 90123-323-010	002	\$19.14
19	GASKET, FR. 90543-273-000	002	\$1.50
20	WASHER (8MM) 90544-283-000	002	\$1.52
21	OIL SEAL (35X48X11) 91255-KBH-003	002	\$7.19
21	OIL SEAL (35X48X11) 91255-KBH-003	002	\$7.19
21	OIL SEAL (35X48X11) 91255-KBH-003	002	\$7.19
21	OIL SEAL (35X48X11) 91255-KBH-003	002	\$7.19
21	OIL SEAL (35X48X11) 91255-KBH-003	002	\$7.19
22	BOLT, HEX. (6X10) 92101-06010-0A	002	\$1.50
22	BOLT, HEX. (6X10) 92101-06010-0A	002	\$1.50
23	BOLT, STUD (8X50) 92900-08028-3B	004	\$1.50
23	BOLT, STUD (8X50) 92900-08028-3B	004	\$1.50
23	BOLT, STUD (8X50) 92900-08028-3B	004	\$1.50
25	NUT, HEX. (8MM) 94030-08000	004	\$1.50
26	WASHER, PLAIN (8MM) 94101-08000	004	\$1.50
27	WASHER, SPRING (8MM) 94111-08000	004	\$1.50
28	CIRCLIP (48MM) 94521-48000	002	\$1.50
29	O-RING (23X2.8) 94608-50000	002	\$1.50
30	HOLDER 1C, FR. 95014-41000	002	\$6.87

[\(close window\)](#)

**JT Motorsports**  
**105 W Parker Rd**  
**Jonesboro, AR 72404**  
**870-932-9001**  
[www.crotchrocket.com](http://www.crotchrocket.com)

**1973 HONDA**  
**CB500K2**  
 September 26, 2006  
 (prices subject to change without notice)

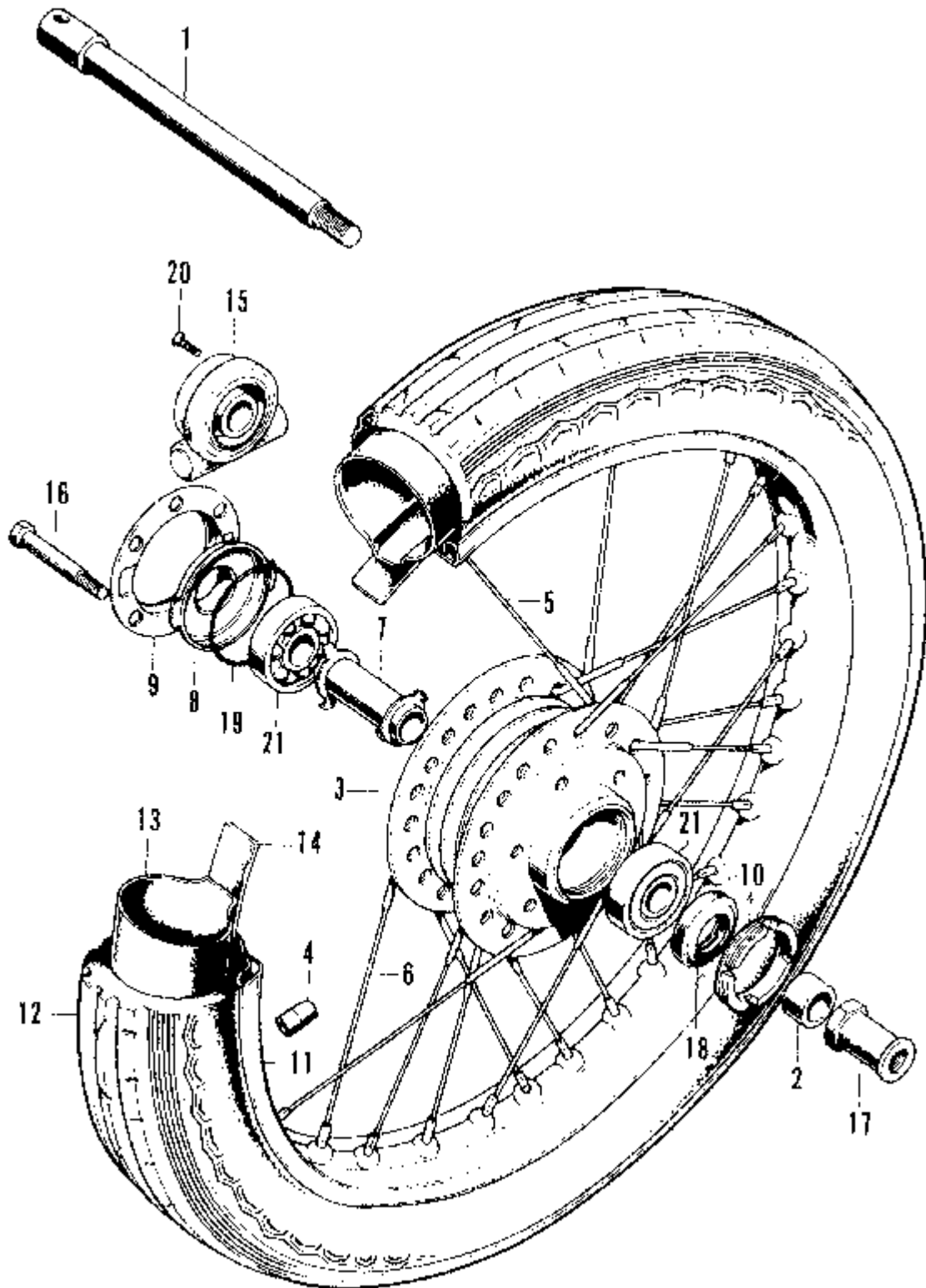


print

(close window)

**JT Motorsports**  
 105 W Parker Rd  
 Jonesboro, AR 72404  
 870-932-9001  
 www.crotchrocket.com

**1973 HONDA  
 CB500K2  
 FRONT WHEEL**  
 September 26, 2006



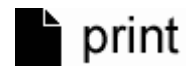
REF#	PART	#REQ	REMARKS	YOUR PRICE
01	AXLE, FR. WHEEL 44301-425-870	001		\$35.34
01	AXLE, FR. WHEEL 44301-425-870	001		\$35.34
01	AXLE, FR. WHEEL 44301-425-870	001		\$35.34
01	AXLE, FR. WHEEL 44301-425-870	001		\$35.34
02	COLR, FR. WHEEL SIDE 44311-371-980	001		\$8.15
03	HUB, FR. WHEEL	001		\$197.99

04	44601-300-040 BALANCER (20G) 44606-283-000	AR	\$2.78
04	BALANCER (15G) 44607-283-000	AR	\$2.78
04	BALANCER (10G) 44608-283-000	AR	\$2.78
04	BALANCER, WHEEL (5G) 44609-283-000	AR	\$2.78
05	SPOKE AS (8X203) 97451-69246-10	020	\$2.78
05	SPOKE AS (8X203) 97451-69246-10	020	\$2.78
06	SPOKE BS (8X202.5) 97B11-69245-10	020	\$2.78
06	SPOKE BS (8X202.5) 97B11-69245-10	020	\$2.78
07	COLLAR, FR. 44620-300-020	001	\$16.25
08	RETAINER, GEAR BOX 44641-341-000	001	\$20.90
09	COVER 44642-300-020	001	\$5.43
10	RETAINER, FR. 44643-300-000	001	\$7.98
11	RIM, FR. WHEEL 44701-405-771	001	\$65.82
11	RIM, FR. WHEEL 44701-405-771	001	\$65.82
12	TIRE, FR. (3.25H19) 44711-341-003	001	\$74.73
12	TIRE, FR. (3.25H19) 44711-341-003	001	\$74.73
12	TIRE, FR. (3.25H19) 44711-341-003	001	\$74.73
13	TUBE, TIRE (19) 44712-110-003	001	\$15.77
13	TUBE, TIRE (19) 44712-110-003	001	\$15.77
13	TUBE, TIRE (19) 44712-110-003	001	\$15.77
13	TUBE, TIRE (19) 44712-110-003	001	\$15.77
13	TUBE, TIRE (19) 44712-110-003	001	\$15.77
13	TUBE, TIRE (19) 44712-110-003	001	\$15.77
13	TUBE, TIRE (19) 44712-110-003	001	\$15.77
13	TUBE, TIRE (19) 44712-110-003	001	\$15.77
14	FLAP (100/90-19) 44713-MR1-671	001	\$4.28
14	FLAP (100/90-19) 44713-MR1-671	001	\$4.28
15	BOX ASSY. 44800-323-000	001	\$45.24
16	BOLT (8X102) 90122-300-020	006	\$5.37
17	NUT, FR. AXLE 90305-300-000	001	\$16.36
17	NUT, AXLE (12MM) 90306-425-870	001	\$16.36
17	NUT, AXLE (12MM) 90306-425-870	001	\$16.36
18	DUST SEAL (22X36X8) 91252-300-003	001	\$5.49
19	O-RING (58X2) 91302-300-000	001	\$3.57
20	SCREW, OVAL (5X16) 93700-05016-0A	001	\$1.50
20	SCREW, OVAL (5X16) 93700-05016-0A	001	\$1.50
21	BEARING (6302U) 96140-63020	002	\$8.43

[\(close window\)](#)

**JT Motorsports**  
105 W Parker Rd  
Jonesboro, AR 72404  
870-932-9001  
www.crotchrocket.com

**1973 HONDA**  
**CB500K2**  
September 26, 2006  
(prices subject to change without notice)



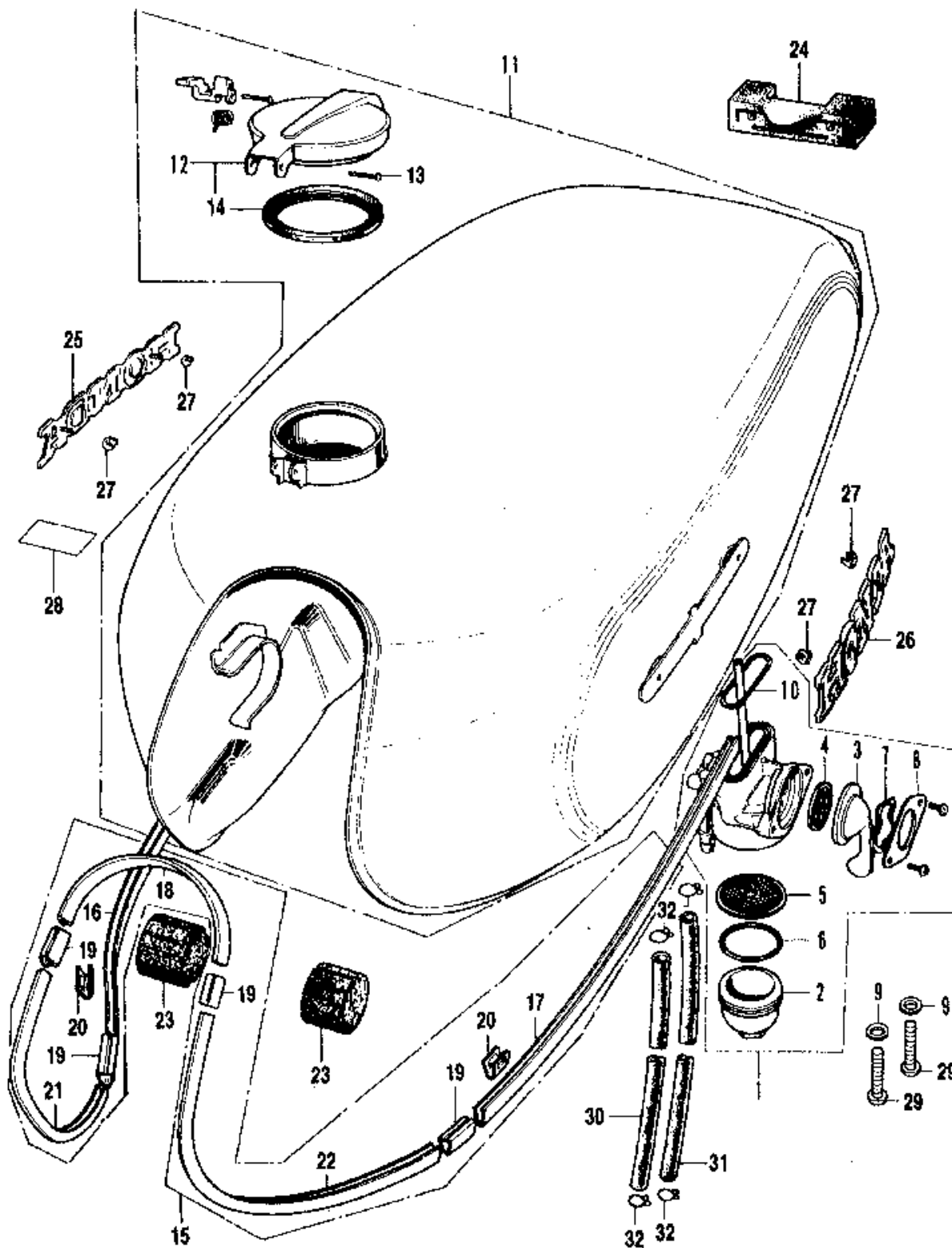
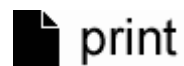
print

(close window)

**JT Motorsports**  
 105 W Parker Rd  
 Jonesboro, AR 72404  
 870-932-9001  
 www.crotchrocket.com

**1973 HONDA  
 CB500K2  
 FUEL TANK @ FUEL VALVE**

September 27, 2006



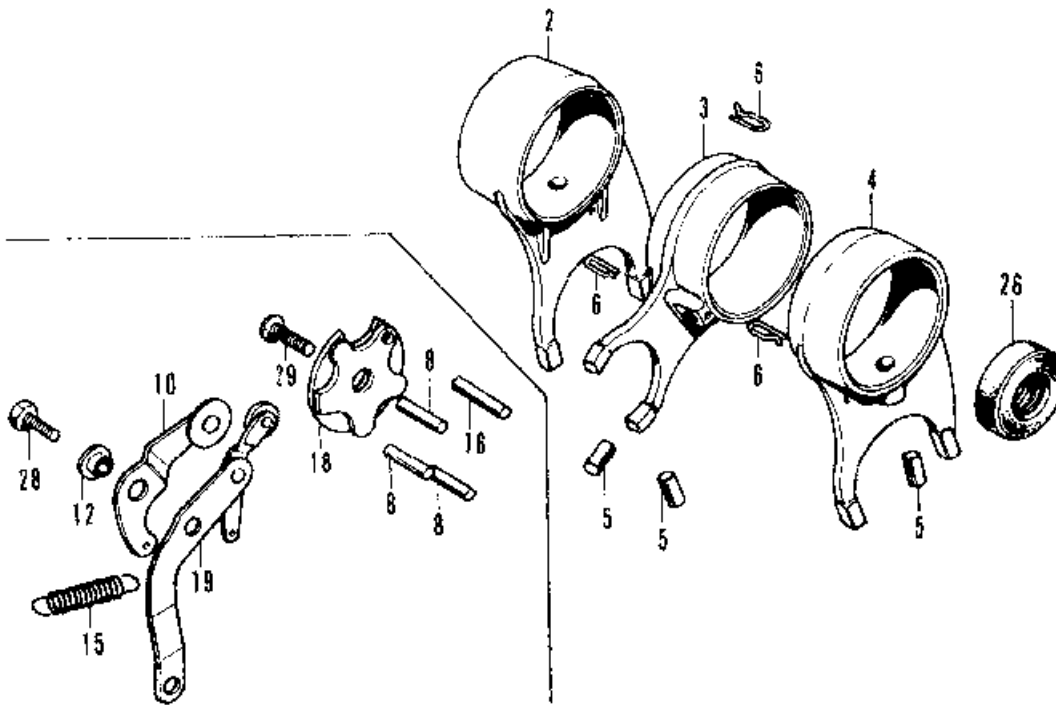
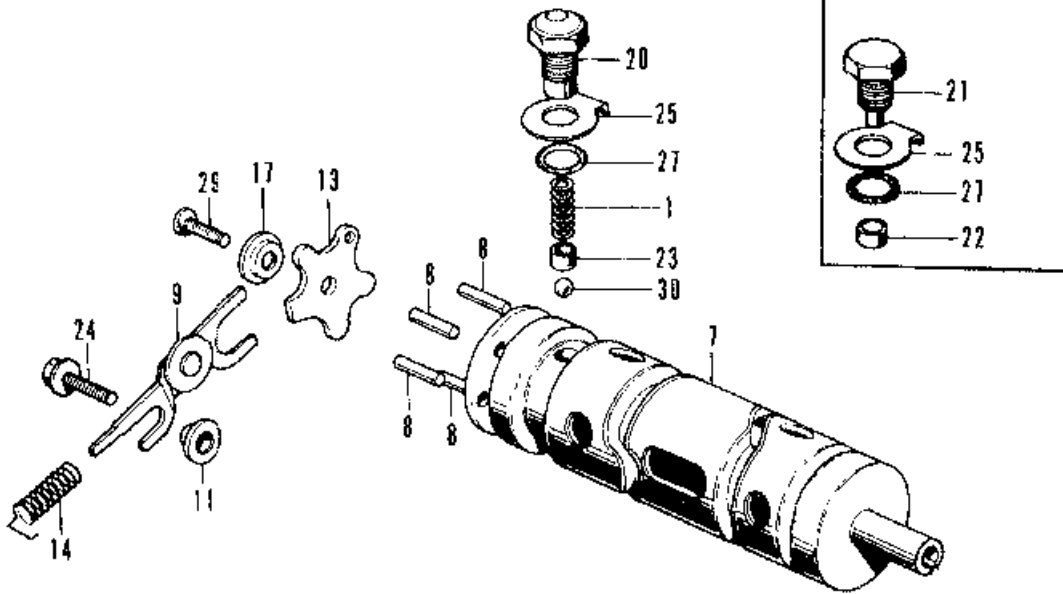
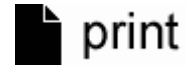
REF#	PART	#REQ	REMARKS	YOUR PRICE
01	PETCOCK ASSY. 16950-300-020	001		\$37.27
02	CUP, FUEL STRAINER 16952-268-000	001		\$6.30

03	LEVER, VALVE 16953-268-020	001	\$2.94
04	GASKET, VALVE 16955-268-020	001	\$2.94
05	SCREEN 16957-268-010	001	\$5.18
06	GASKET 16958-268-010	001	\$4.53
07	SPRING 16960-268-010	001	\$3.03
08	PLATE 16961-268-010	001	\$1.50
09	GASKET, PETCOCK BODY 16993-011-000	002	\$2.54
10	GASKET, PETCOCK BODY 16997-273-006	001	\$3.42
11	TANK *G5WC/NH1* 17050-323-700PZ	001	\$185.09
11	TANK *R2CH/NH1* 17050-323-700QJ	001	\$256.87
11	TANK *YR20MC/NH1* 17050-323-700QP	001	\$185.09
11	TANK *G5WC/NH1* 17050-323-700PZ	001	\$185.09
11	TANK *R2CH/NH1* 17050-323-700QJ	001	\$256.87
11	TANK *YR20MC/NH1* 17050-323-700QP	001	\$185.09
12	CAP, FUEL TANK 17510-323-310	001	\$36.31
13	PIN B 17514-323-300	002	\$1.76
14	GASKET 17534-323-300	001	\$4.71
15	MOLDING SET 17540-323-000	001	\$41.14
16	MLDG, R. FUEL TANK 17541-323-000	001	\$9.56
17	MLDG, L. FUEL TANK 17542-323-000	001	\$5.69
18	MOLDING 17543-323-000	001	\$5.63
19	CLIP A 17544-323-000	006	\$1.91
20	CLIP B 17545-323-010	017	\$1.50
21	MLDG, R. TANK MIDDLE 17548-323-000	001	\$6.39
22	MLDG, L. TANK MIDDLE 17549-323-000	001	\$6.51
22	LATCH ASSY. 17550-377-315	001	\$30.62
23	RUB, FR. FUEL TANK 17611-283-010	002	\$3.54
24	RUB, RR. FUEL TANK 17613-286-000	001	\$8.04
25	EMBLEM, R. FUEL TANK 87121-300-030	001	\$26.10
25	EMBLEM, R. FUEL TANK 87121-300-030	001	\$26.10
25	EMBLEM, R. FUEL TANK 87121-300-030	001	\$26.10
26	EMBLEM, R. FUEL TANK 87121-300-030	001	\$26.10
26	EMBLEM, R. FUEL TANK 87121-300-030	001	\$26.10
26	EMBLEM, L. FUEL TANK 87122-323-000	001	\$26.10
27	NUT, RR. 87311-516-000	004	\$2.15
27	NUT, EMBLEM CLAMP 87311-634-600	004	\$2.15
28	LABEL *NH0* 87560-323-670A	001	\$1.70
28	LABEL *NH1* 87560-323-670ZA	001	\$1.50
28	LABEL *NH1* 87560-323-670ZA	001	\$1.50
29	SCREW, PAN (6X32) 93500-06032-0A	002	\$1.50
29	SCREW, PAN (6X32) 93500-06032-0A	002	\$1.50
30	BULK HOSE (5.5X8000) 95001-55008-60M	001	\$35.50
31	BULK HOSE (5.5X8000) 95001-55008-60M	001	\$35.50
32	CLIP, TUBE (B10) 95002-02100	004	\$1.50

(close window)

**JT Motorsports**  
 105 W Parker Rd  
 Jonesboro, AR 72404  
 870-932-9001  
 www.crotchrocket.com

**1973 HONDA**  
**CB500K2**  
**GEARSHIFT FORK @ DRUM**  
 September 27, 2006



REF#	PART	#REQ	REMARKS	YOUR PRICE
02	FORK, R. GEARSHIFT 24211-323-000	001		\$32.45
03	FORK B, GEARSHIFT 24212-286-030	001		\$38.42

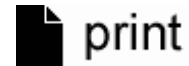


04	FORK, L. GEARSHIFT 24213-323-000	001	\$48.22
05	PIN 24261-283-000	003	\$2.43
06	CLIP 24263-286-000	003	\$2.69
07	DRUM, GEARSHIFT 24301-286-050	001	\$86.79
08	PIN, GEARSHIFT DRUM 24421-230-000	003	\$3.35
10	STOPPER, SHIFT DRUM 24430-323-020	001	\$5.91
12	COLLAR 24433-323-010	001	\$2.51
15	SPRING 24435-323-020	001	\$1.76
16	PIN B 24437-323-000	001	\$1.50
18	PLATE, CAM 24439-323-000	001	\$6.69
19	STOPPER, SHIFT DRUM 24440-323-000	001	\$12.42
21	SCREW 24446-323-000	001	\$5.28
22	COLLAR, SCREW GUIDE 24447-323-000	001	\$2.21
25	WASHER, LOCK (12MM) 90434-286-000	001	\$1.50
26	OIL SEAL (12X25X4.5) 91202-426-003	001	\$2.94
26	OIL SEAL (12X25X4.5) 91202-426-003	001	\$2.94
26	OIL SEAL (12X25X4.5) 91202-426-003	001	\$2.94
27	O-RING (11.5X2) 91304-216-000	001	\$1.50
28	BOLT, HEX. (6X20) 92020-06020	001	\$1.50
29	SCREW, FLAT (6X20) 93600-06020	001	\$1.50
29	SCREW, FLAT (6X20) 93600-06020-0A	001	\$1.50

[\(close window\)](#)

**JT Motorsports**  
**105 W Parker Rd**  
**Jonesboro, AR 72404**  
**870-932-9001**  
[www.crotchrocket.com](http://www.crotchrocket.com)

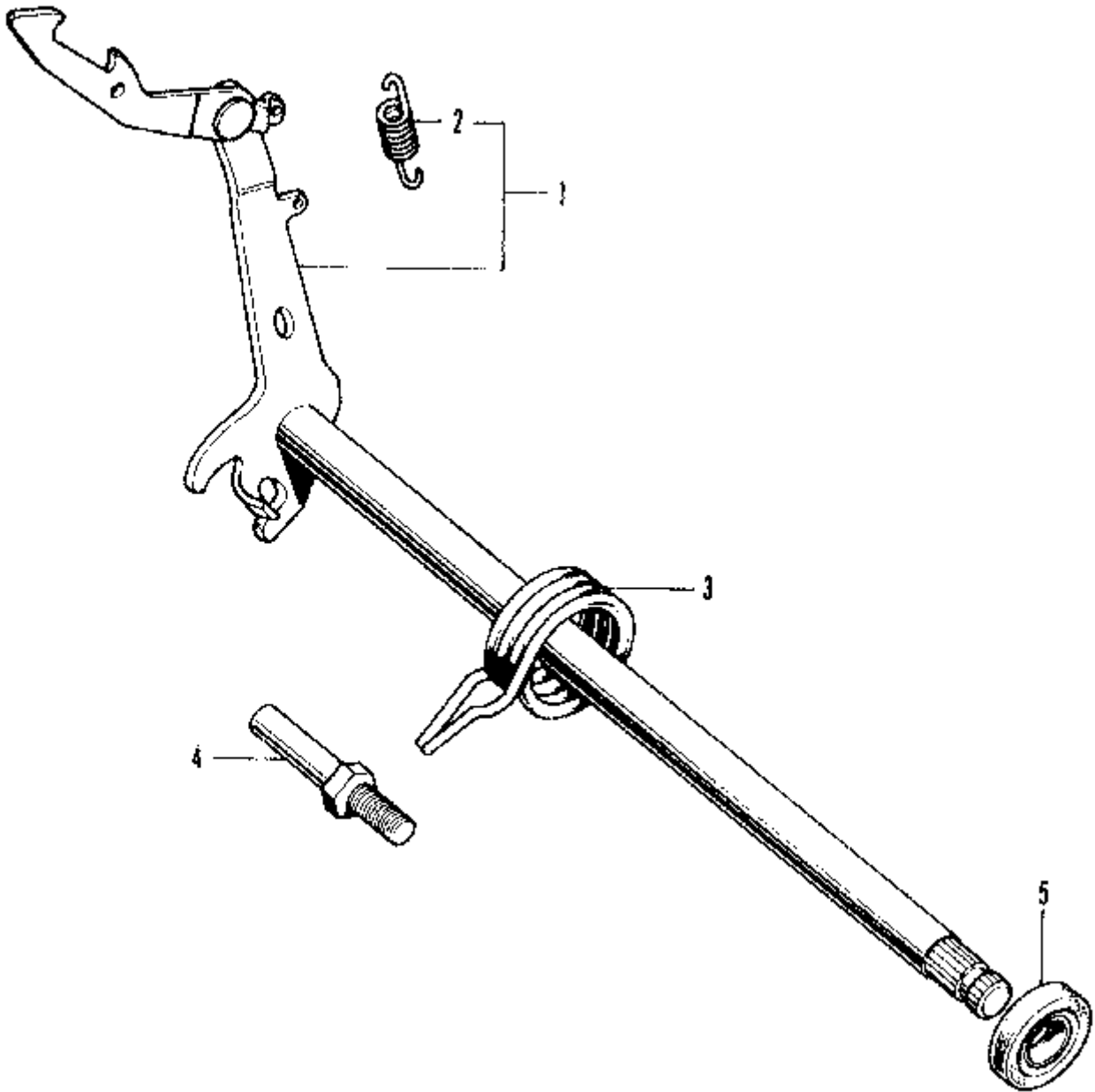
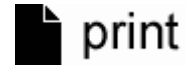
**1973 HONDA**  
**CB500K2**  
 September 27, 2006  
 (prices subject to change without notice)



[\(close window\)](#)

**JT Motorsports**  
 105 W Parker Rd  
 Jonesboro, AR 72404  
 870-932-9001  
 www.crotchrocket.com

**1973 HONDA  
 CB500K2  
 GEARSHIFT SPINDLE**  
 September 27, 2006

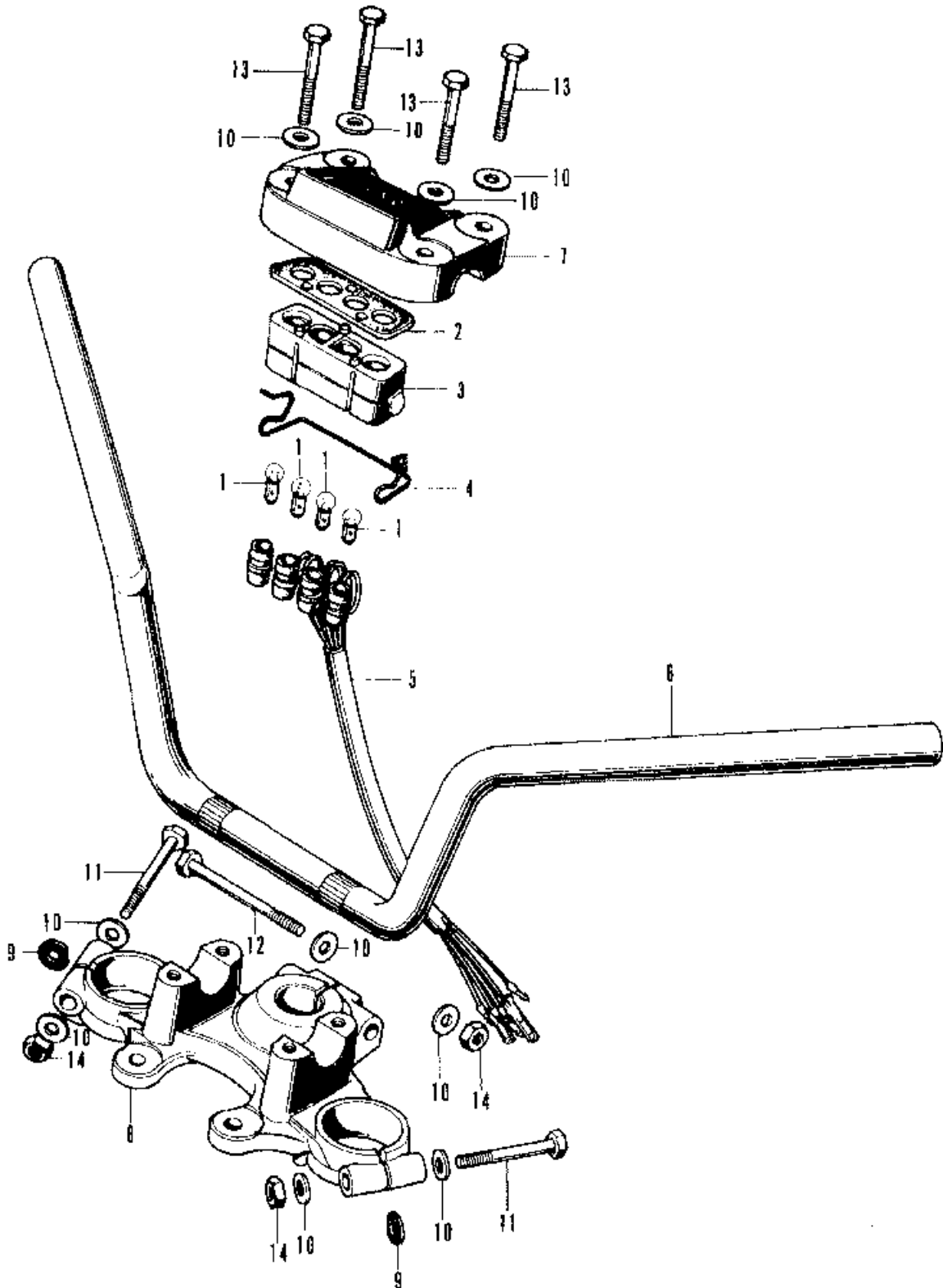
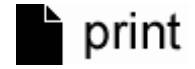


REF#	PART	#REQ	REMARKS	YOUR PRICE
01	SPINDLE, GEARSHIFT 24610-323-000	001		\$48.33
02	SPRING 24641-216-000	001		\$1.50
03	SPRING 24651-286-000	001		\$4.34
04	PIN, RETURN SPRING 90015-286-000	001		\$3.20
05	OIL SEAL 13.8X24X 91202-KFL-841	001		\$2.93
05	OIL SEAL 13.8X24X 91202-KFL-841	001		\$2.93
05	OIL SEAL 13.8X24X 91202-KFL-841	001		\$2.93
05	OIL SEAL 13.8X24X 91202-KFL-841	001		\$2.93
05	OIL SEAL 13.8X24X 91202-KFL-841	001		\$2.93
05	OIL SEAL 13.8X24X 91202-KFL-841	001		\$2.93
05	OIL SEAL 13.8X24X 91202-KFL-841	001		\$2.93
05	OIL SEAL 13.8X24X 91202-KFL-841	001		\$2.93

(close window)

**JT Motorsports**  
 105 W Parker Rd  
 Jonesboro, AR 72404  
 870-932-9001  
 www.crotchrocket.com

**1973 HONDA  
 CB500K2  
 HANDLEBAR @ TOP BRIDGE**  
 September 27, 2006



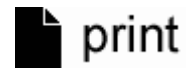
REF#	PART	#REQ	REMARKS	YOUR PRICE
01	BULB, DASH (12V3.4W) 34902-259-000	004		\$1.50
02	BASE, LAMP SOCKET 37576-323-000	001		\$1.59
03	SOCKET, PILOT LAMP 37577-341-000	001		\$3.41
04	SPRING 37579-341-010	001		\$3.21
05	WIRE, PILOT LAMP 37581-323-000	001		\$26.47

06	HANDLEBAR 53100-323-000	001	\$28.28
07	HOLDER (UPPER) 53133-323-010	001	\$35.10
08	BRIDGE, FORK TOP 53230-323-305	001	\$99.88
08	BRIDGE, FORK TOP 53230-323-305	001	\$99.88
09	SPACER 53235-300-000	002	\$3.80
10	WASHER, PLAIN (8MM) 90518-921-000	010	\$1.50
11	BOLT, HEX. (8X56) 93101-08056-0B	002	\$1.50
12	BOLT, HEX. (8X74) 93101-08074-0B	001	\$1.50
13	BOLT, HEX. (8X40) 93101-08040-0B	004	\$1.50
13	BOLT, HEX. (8X40) 93101-08040-0B	004	\$1.50
14	NUT, HEX. (8MM) 94001-08020-0S	003	\$1.50

[\(close window\)](#)

**JT Motorsports**  
**105 W Parker Rd**  
**Jonesboro, AR 72404**  
**870-932-9001**  
[www.crotchrocket.com](http://www.crotchrocket.com)

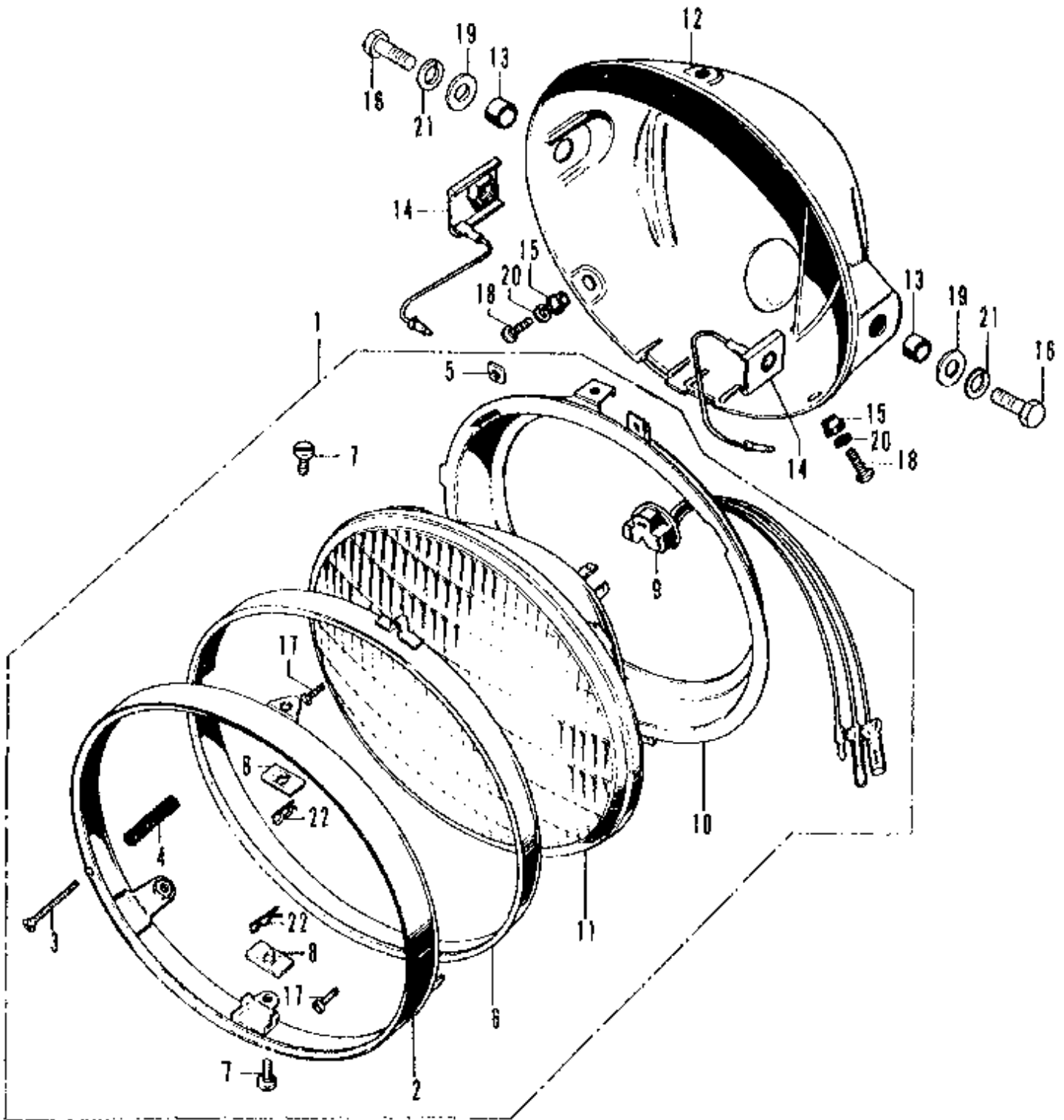
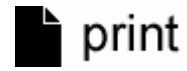
**1973 HONDA**  
**CB500K2**  
 September 27, 2006  
 (prices subject to change without notice)



(close window)

**JT Motorsports**  
 105 W Parker Rd  
 Jonesboro, AR 72404  
 870-932-9001  
 www.crotchrocket.com

**1973 HONDA  
 CB500K2  
 HEADLIGHT**  
 September 27, 2006



REF#	PART	#REQ	REMARKS	YOUR PRICE
01	HDLT (12V 50/40W) 33100-341-701	001		\$76.31
02	RIM, HEADLIGHT 33101-405-671	001		\$36.58
02	RIM, HEADLIGHT 33101-405-671	001		\$36.58
03	SCREW 33103-346-670	001		\$2.99
03	SCREW 33103-346-670	001		\$2.99
03	SCREW 33103-346-670	001		\$2.99

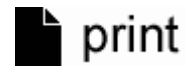
## Fiche Parts

04	SPRING 33107-300-003	001	\$1.67
05	NUT 33117-001-023	001	\$1.50
05	NUT 33117-001-023	001	\$1.50
06	RING, RETAINING 33121-300-672	001	\$26.87
07	SCREW, UNIT HOLDER 33125-292-670	002	\$2.73
08	NUT, UNIT HOLDER 33128-292-670	002	\$1.52
09	SOCKET, HEADLIGHT 33130-300-003	001	\$11.01
10	RING, SETTING 33153-300-671	001	\$32.39
11	UNIT, SEALED BEAM 33321-568-671AH	001	\$5.37
11	UNIT, SEALED BEAM 33321-568-671AH	001	\$5.37
11	UNIT, SEALED BEAM 33321-568-671AH	001	\$5.37
11	UNIT, SEALED BEAM 33321-568-671AH	001	\$5.37
12	CASE *NH1* 61301-300-020B	001	\$56.91
12	CASE *NH1* 61301-300-020B	001	\$56.91
13	COLR, HEADLIGHT CASE 61302-300-000	002	\$5.78
14	WASHER 61303-336-000	002	\$5.99
15	COLLAR 61304-292-000	003	\$2.00
16	BOLT, HEX. (10X25) 92101-10025-0B	002	\$1.50
16	BOLT, HEX. (10X25) 92101-10025-0B	002	\$1.50
17	SCREW, PAN (3X10) 93500-03010-0B	002	\$1.50
18	SCREW, PAN (5X16) 93500-05016-0B	003	\$1.50
19	WASHER, PLAIN (10MM) 94101-10200	002	\$1.50
20	WASHER, SPRING (5MM) 94111-05000	003	\$1.50
21	WASHER (10MM) 94111-10800	002	\$1.50
22	PIN, LOCK (5MM) 94251-05000	002	\$1.50

[\(close window\)](#)

**JT Motorsports**  
**105 W Parker Rd**  
**Jonesboro, AR 72404**  
**870-932-9001**  
[www.crotchrocket.com](http://www.crotchrocket.com)

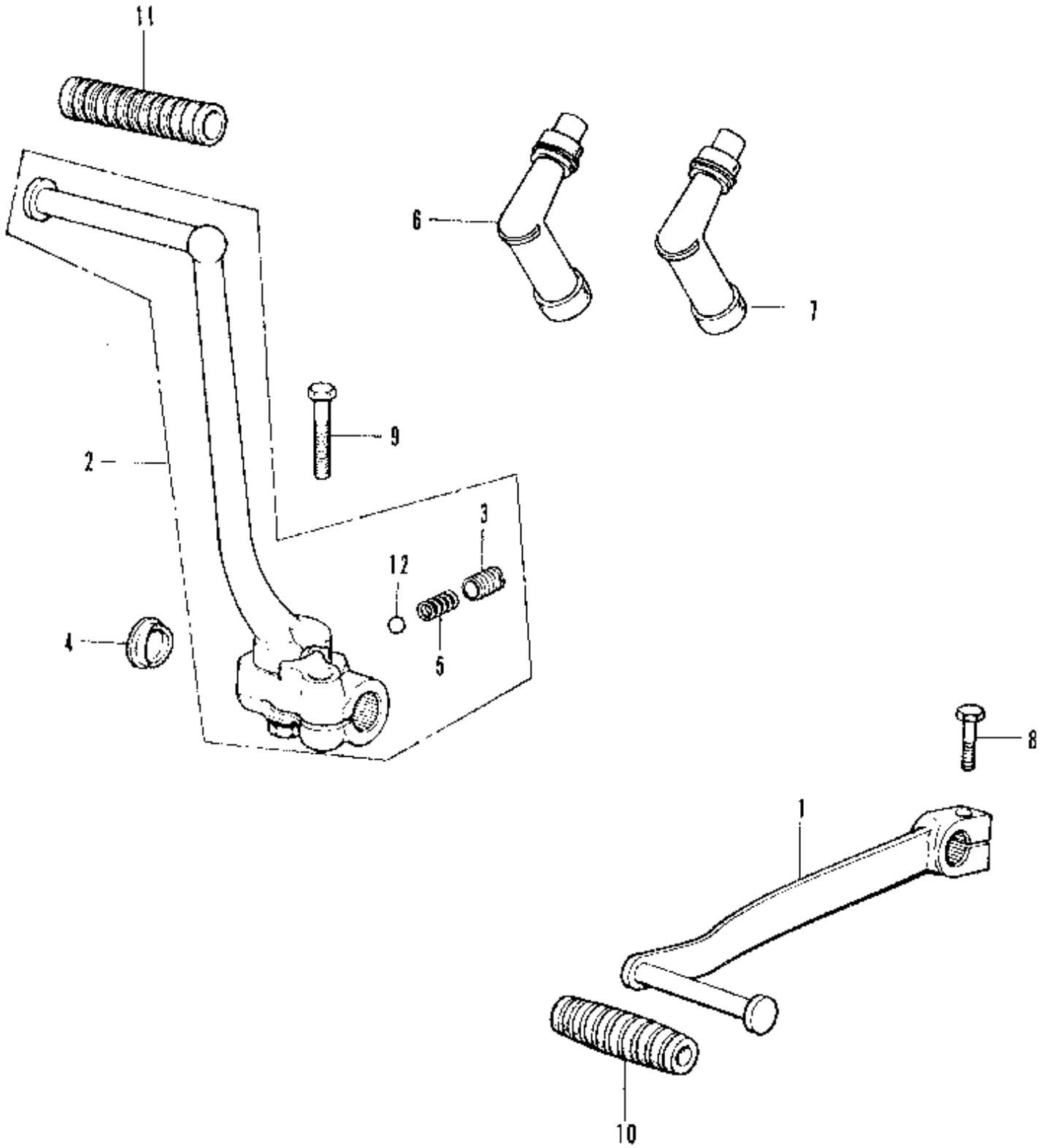
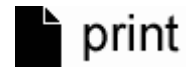
**1973 HONDA**  
**CB500K2**  
 September 27, 2006  
 (prices subject to change without notice)



(close window)

**JT Motorsports**  
 105 W Parker Rd  
 Jonesboro, AR 72404  
 870-932-9001  
 www.crotchrocket.com

**1973 HONDA**  
**CB500K2**  
**KICK ARM @ CHANGE PEDAL**  
 September 27, 2006



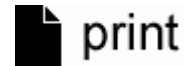
REF#	PART	#REQ	REMARKS	YOUR PRICE
01	PEDAL, GEARSHIFT 24700-323-010	001		\$22.11
02	ARM, KICK STARTER 28300-404-670	001		\$85.67
02	ARM, KICK STARTER 28300-404-670	001		\$85.67
02	ARM, KICK STARTER 28300-404-670	001		\$85.67
03	BOLT, KICK ARM 28303-310-010	001		\$3.39

04	CAP, KICK ARM 28305-310-000	001	\$1.65
05	SPRING 28333-310-000	001	\$1.95
06	CAP ASSY. 30700-GAR-000	002	\$10.25
06	CAP ASSY. 30700-GAR-000	002	\$10.25
06	CAP ASSY. 30700-GAR-000	002	\$10.25
06	CAP ASSY. 30700-GAR-000	002	\$10.25
07	CAP ASSY. 30700-MC8-000	002	\$18.90
07	CAP ASSY. 30700-MC8-000	002	\$18.90
07	CAP ASSY. 30700-MC8-000	002	\$18.90
07	CAP ASSY. 30700-MC8-000	002	\$18.90
07	CAP ASSY. 30700-MC8-000	002	\$18.90
08	BOLT, HEX. (6X20) 92101-06020-0A	001	\$1.50
08	BOLT, HEX. (6X20) 92101-06020-0A	001	\$1.50
09	BOLT, HEX. (8X32) 93201-08032-0A	001	\$1.50
09	BOLT, HEX. (8X32) 93201-08032-0A	001	\$1.50
10	RUBBER, SHIFT PEDAL 95011-40000	001	\$1.50
11	RUBBER B 95011-52000	001	\$2.13
12	BALL (#10) (5/16) 96211-10000	001	\$1.50

[\(close window\)](#)

**JT Motorsports**  
**105 W Parker Rd**  
**Jonesboro, AR 72404**  
**870-932-9001**  
[www.crotchrocket.com](http://www.crotchrocket.com)

**1973 HONDA**  
**CB500K2**  
 September 27, 2006  
 (prices subject to change without notice)

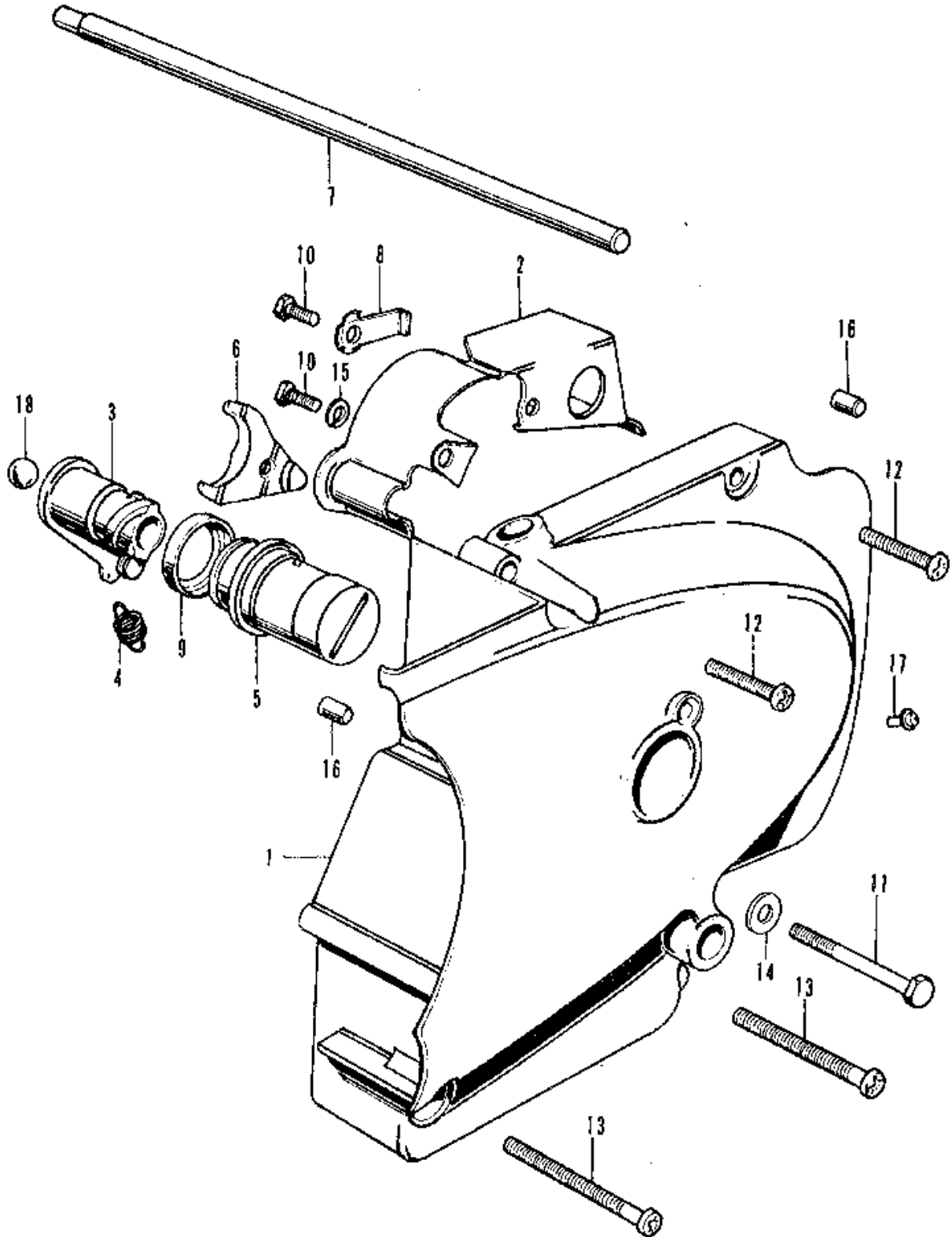
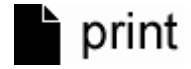




(close window)

**JT Motorsports**  
 105 W Parker Rd  
 Jonesboro, AR 72404  
 870-932-9001  
 www.crotchrocket.com

**1973 HONDA  
 CB500K2  
 LEFT CRANKCASE COVER**  
 September 27, 2006



REF#	PART	#REQ	REMARKS	YOUR PRICE
01	COVER, L. CRANKCASE 11341-323-000	001		\$92.53
02	PROTECTOR, CASE 11353-363-000	001		\$10.85
03	THREAD 22810-323-000	001		\$23.09
04	SPRING, CLUTCH LEVER 22815-283-000	001		\$1.50
05	ADJUSTER, CLUTCH 22841-266-000	001		\$16.79

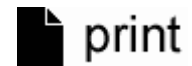
## Fiche Parts

06	PIECE 22844-323-000	001	\$4.05
07	ROD, CLUTCH LIFTER 22850-323-000	001	\$26.53
08	WASHER (6MM) 90532-323-000	001	\$1.50
09	OIL SEAL 91205-200-005	001	\$4.31
09	OIL SEAL 91205-200-005	001	\$4.31
10	BOLT, HEX. (6X16) 92101-06016-0A	002	\$1.50
10	BOLT, HEX. (6X16) 92101-06016-0A	002	\$1.50
10	BOLT, HEX. (6X16) 92101-06016-0A	002	\$1.50
10	BOLT, HEX. (6X16) 92101-06016-0A	002	\$1.50
10	BOLT, HEX. (6X16) 92101-06016-0A	002	\$1.50
10	BOLT, HEX. (6X16) 92101-06016-0A	002	\$1.50
11	BOLT, HEX. (6X45) 92101-06045-0A	001	\$1.50
11	BOLT, HEX. (6X45) 92101-06045-0A	001	\$1.50
11	BOLT, HEX. (6X45) 92101-06045-0A	001	\$1.50
12	SCREW, PAN (6X32) 93500-06032-0A	002	\$1.50
12	SCREW, PAN (6X32) 93500-06032-0A	002	\$1.50
13	SCREW, PAN (6X55) 93500-06055-0A	002	\$1.50
13	SCREW, PAN (6X55) 93500-06055-0A	002	\$1.50
14	WASHER, PLAIN (6MM) 94101-06800	001	\$1.50
14	WASHER, PLAIN (6MM) 94101-06800	001	\$1.50
14	WASHER, PLAIN (6MM) 94101-06800	001	\$1.50
15	WASHER, SPRING (6MM) 94111-06000	001	\$1.50
16	PIN B, DOWEL (6X10) 94302-06100	002	\$1.50
17	FITTING (A.45) 96201-30001	001	\$1.50
18	BALL (#10) (5/16) 96211-10000	001	\$1.50

[\(close window\)](#)

**JT Motorsports**  
**105 W Parker Rd**  
**Jonesboro, AR 72404**  
**870-932-9001**  
[www.crotchrocket.com](http://www.crotchrocket.com)

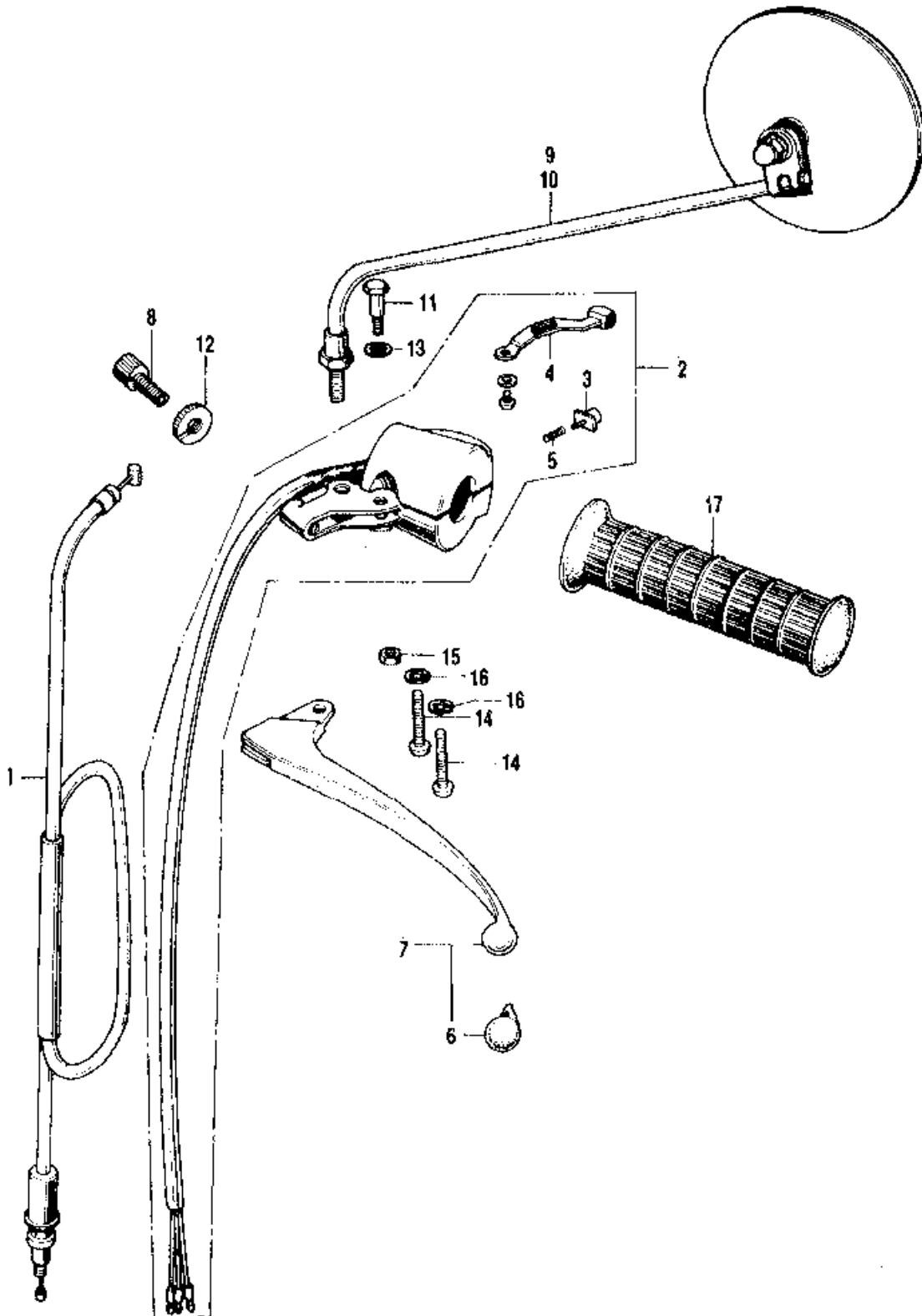
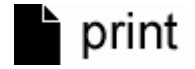
**1973 HONDA**  
**CB500K2**  
 September 27, 2006  
 (prices subject to change without notice)



(close window)

**JT Motorsports**  
 105 W Parker Rd  
 Jonesboro, AR 72404  
 870-932-9001  
 www.crotchrocket.com

**1973 HONDA  
 CB500K2  
 LEFT HANDLE SWITCH @ CABLE**  
 September 27, 2006



REF#	PART	#REQ	REMARKS	YOUR PRICE
01	CABLE, CLUTCH 22870-323-020	001		\$23.04
02	SWITCH ASSY. 35250-300-033	001		\$68.41
03	BUTTON 35317-001-310	001		\$2.21
04	BUTTON 35317-310-810	001		\$1.76
05	SPRING, BUTTON 35318-259-000	001		\$2.54

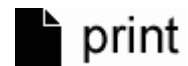
## Fiche Parts

06	CAP A, LEVER 95010-16001	001	\$2.25
06	CAP A, LEVER 95010-16001	001	\$2.25
06	CAP A, LEVER 95010-16001	001	\$2.25
07	LEVER, L. HANDLE 53178-369-700	001	\$14.37
07	LEVER, L. HANDLE 53178-369-700	001	\$14.37
07	LEVER, L. HANDLE 53178-369-700	001	\$14.37
07	LEVER, L. HANDLE 53178-369-700	001	\$14.37
07	LEVER, L. HANDLE 53178-369-700	001	\$14.37
07	LEVER, L. HANDLE 53178-369-700	001	\$14.37
07	LEVER, L. HANDLE 53178-369-700	001	\$14.37
08	BOLT 53192-312-000	001	\$4.56
09	MIRROR, L. 88120-371-960	001	\$27.88
09	MIRROR, L. 88120-371-960	001	\$27.88
10	MIRROR, L. 88120-333-611	001	\$19.32
10	MIRROR, L. 88120-333-611	001	\$19.32
10	MIRROR, L. 88120-333-611	001	\$19.32
11	BOLT 90114-310-000	001	\$1.91
11	BOLT 90114-310-000	001	\$1.91
12	NUT, FIXING 90321-315-670	001	\$4.28
12	NUT, FIXING 90321-315-670	001	\$4.28
13	WASHER (7X12) 90501-310-000	001	\$1.50
14	SCREW, PAN (5X25) 93500-05025-0A	002	\$1.50
15	NUT, HEX. (6MM) 94001-06200-0S	001	\$1.50
15	NUT, HEX. (6MM) 94001-06200-0S	001	\$1.50
15	NUT, HEX. (6MM) 94001-06200-0S	001	\$1.50
15	NUT, HEX. (6MM) 94001-06200-0S	001	\$1.50
15	NUT, HEX. (6MM) 94001-06200-0S	001	\$1.50
15	NUT, HEX. (6MM) 94001-06200-0S	001	\$1.50
15	NUT, HEX. (6MM) 94001-06200-0S	001	\$1.50
16	WASHER, SPRING (5MM) 94111-05000	002	\$1.50
17	GRIP, L. HANDLEBAR 53166-342-670	001	\$6.86

[\(close window\)](#)

**JT Motorsports**  
**105 W Parker Rd**  
**Jonesboro, AR 72404**  
**870-932-9001**  
[www.crotchrocket.com](http://www.crotchrocket.com)

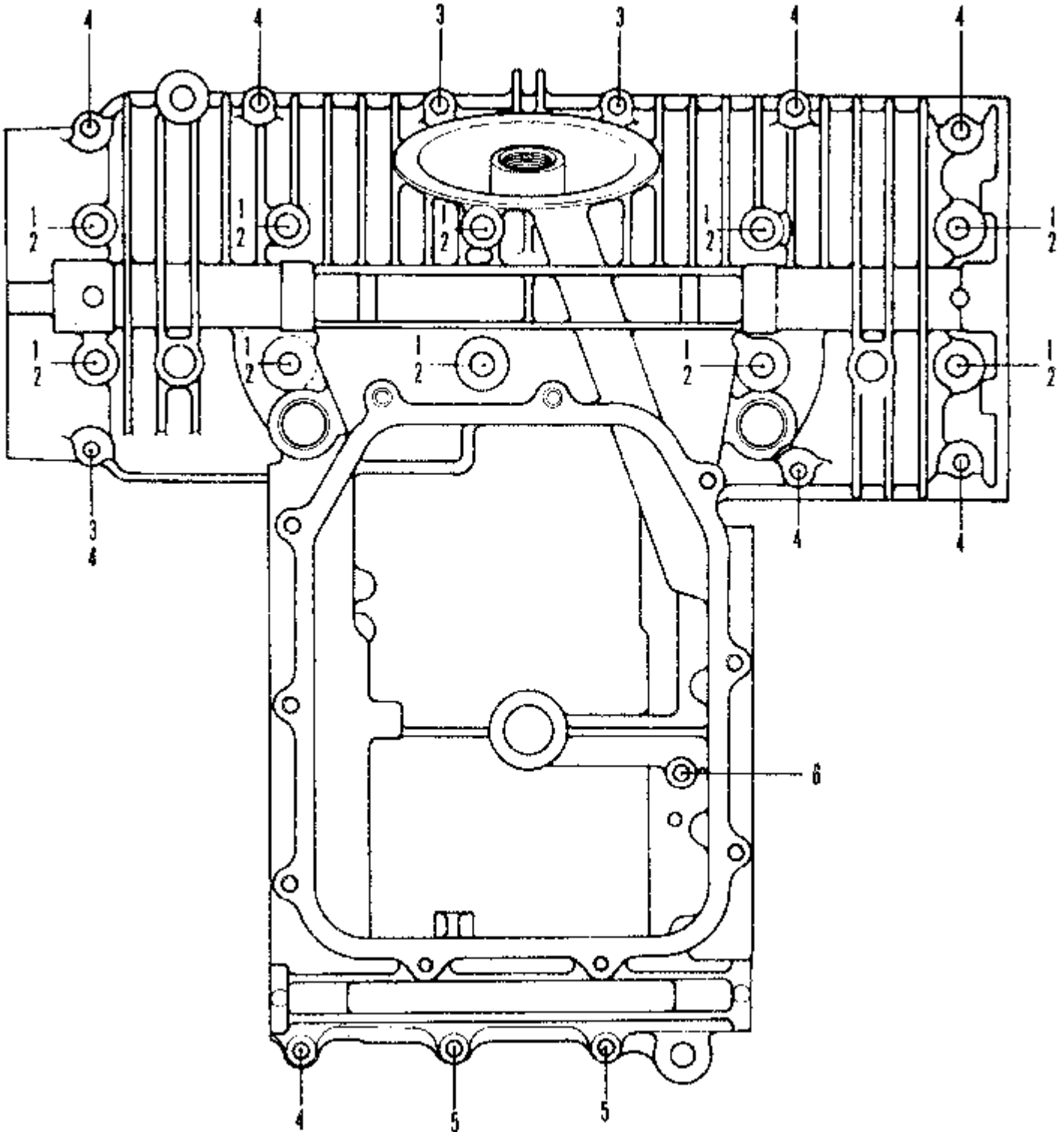
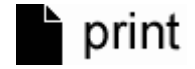
**1973 HONDA**  
**CB500K2**  
 September 27, 2006  
 (prices subject to change without notice)



(close window)

**JT Motorsports**  
 105 W Parker Rd  
 Jonesboro, AR 72404  
 870-932-9001  
 www.crotchrocket.com

**1973 HONDA  
 CB500K2  
 LOWER CASE (BOLT, WASHER)**  
 September 27, 2006



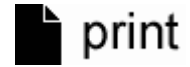
REF#	PART	#REQ	REMARKS	YOUR PRICE
01	BOLT, HEX. (8X100) 90084-323-000	010		\$2.40
02	WASHER (14MM) 90485-035-000	010		\$1.50
03	BOLT, FLANGE (6X32) 95701-06032-00	003		\$1.50
03	BOLT, FLANGE (6X32) 95701-06032-00	003		\$1.50
04	BOLT, FLANGE (6X40) 95701-06040-00	007		\$1.50
04	BOLT, FLANGE (6X40) 95701-06040-00	007		\$1.50

05	BOLT, FLANGE (6X55) 95701-06055-00	002	\$1.50
05	BOLT, FLANGE (6X55) 95701-06055-00	002	\$1.50
06	BOLT, FLANGE (6X105) 95701-06105-00	001	\$1.50
06	BOLT, FLANGE (6X105) 95701-06105-00	001	\$1.50

[\(close window\)](#)

**JT Motorsports**  
105 W Parker Rd  
Jonesboro, AR 72404  
870-932-9001  
www.crotchrocket.com

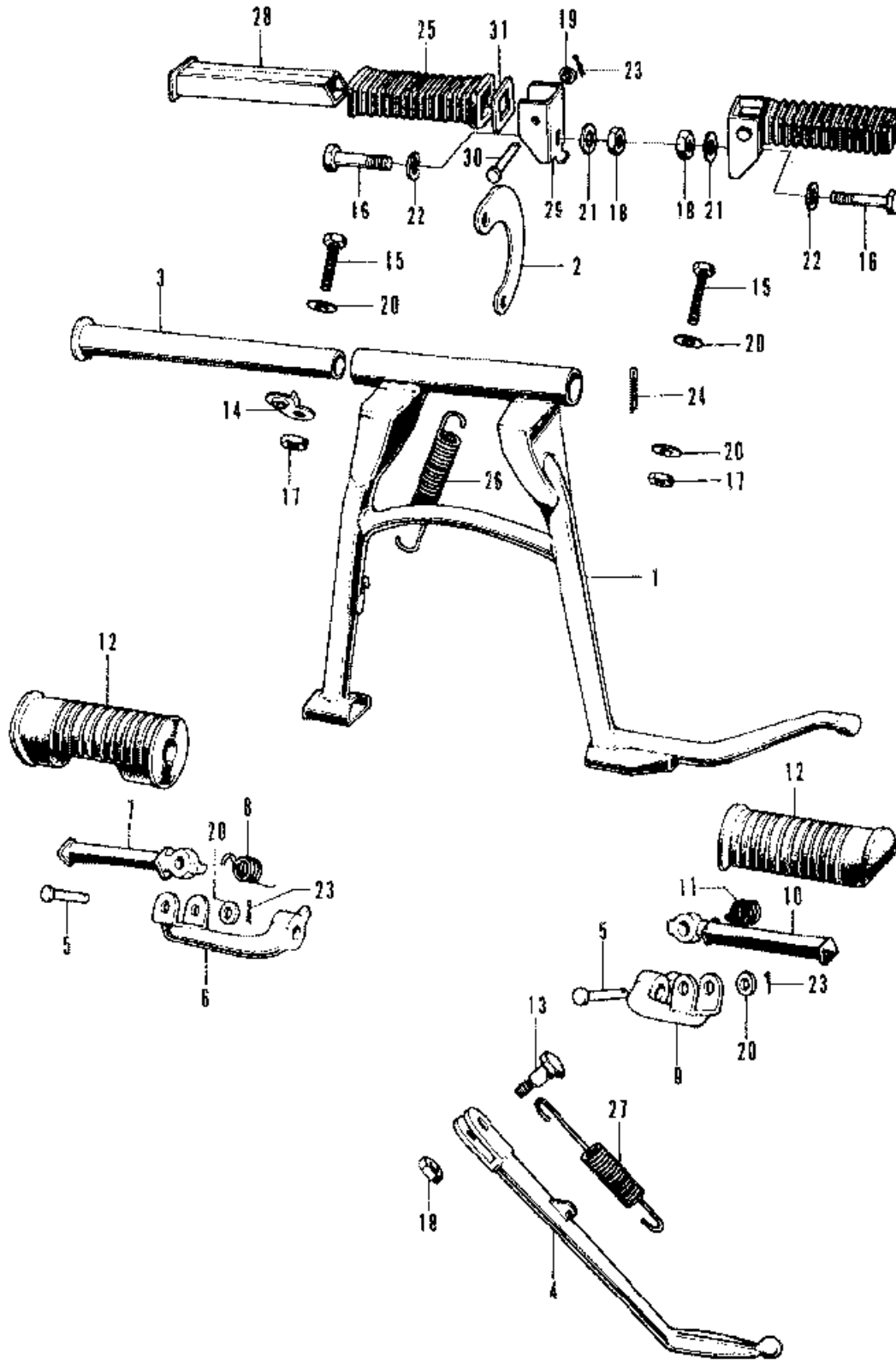
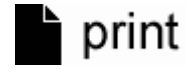
**1973 HONDA  
CB500K2**  
September 27, 2006  
(prices subject to change without notice)



(close window)

**JT Motorsports**  
 105 W Parker Rd  
 Jonesboro, AR 72404  
 870-932-9001  
 www.crotchrocket.com

**1973 HONDA  
 CB500K2  
 MAIN STAND @ STEP**  
 September 27, 2006



REF#	PART	#REQ	REMARKS	YOUR PRICE
01	STAND, MAIN *NH1* 50500-323-000B	001		\$48.79
02	PLATE 50523-300-010	001		\$3.59
03	PIPE 50526-300-000	001		\$11.03
04	BAR *NH1* 50530-323-000B	001		\$29.51
05	PIN, STEP BAR JOINT 50603-033-010	002		\$1.88

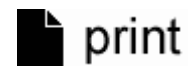
## Fiche Parts

05	PIN, STEP BAR JOINT 50603-033-010	002	\$1.88
06	BAR, R. STEP *NH1* 50615-323-670B	001	\$26.78
07	ARM, R. STEP *NH1* 50616-323-670B	001	\$15.22
08	SPRING, R. 50617-283-000	001	\$2.39
09	BAR, L. STEP *NH1* 50641-323-670B	001	\$26.78
10	ARM, L. STEP *NH1* 50642-323-670B	001	\$15.25
11	SPRING, L. 50644-283-000	001	\$2.39
12	RUBBER, STEP 50661-310-000	002	\$6.38
13	SCREW 90108-283-000	001	\$4.46
14	WASHER 90514-323-000	001	\$1.50
15	BOLT, HEX. (8X40) 92101-08040-0A	002	\$1.50
15	BOLT, HEX. (8X40) 92101-08040-0A	002	\$1.50
16	BOLT, HEX. (10X35) 92101-10035-0A	002	\$1.50
16	BOLT, HEX. (10X35) 92101-10035-0A	002	\$1.50
17	NUT, HEX. (8MM) 94001-08000-0S	002	\$1.50
18	NUT, HEX. (10MM) 94001-10000-0S	003	\$1.50
19	WASHER, PLAIN (6MM) 94101-06800	002	\$1.50
19	WASHER, PLAIN (6MM) 94101-06800	002	\$1.50
19	WASHER, PLAIN (6MM) 94101-06800	002	\$1.50
20	WASHER, PLAIN (8MM) 94101-08000	005	\$1.50
21	WASHER, PLAIN (10MM) 94101-10000	002	\$1.50
22	WASHER, SPRING (8MM) 94111-10000	002	\$1.50
23	PIN, COTTER (1.6X25) 94201-16250	004	\$1.50
23	PIN, COTTER (1.6X25) 94201-16250	004	\$1.50
24	PIN, COTTER (2.5MM) 94201-25300	001	\$1.50
24	PIN, COTTER (2.5MM) 94201-25300	001	\$1.50
25	RUBBER, PILLION STEP 95011-31000	002	\$3.62
26	SPRING G, MAIN STAND 95014-71702	001	\$2.40
26	SPRING G, MAIN STAND 95014-71702	001	\$2.40
26	SPRING G, MAIN STAND 95014-71702	001	\$2.40
27	SPRING D, SIDE STAND 95014-72402	001	\$1.50
27	SPRING D, SIDE STAND 95014-72402	001	\$1.50
28	BAR B, PILLION STEP 95015-62000	002	\$16.49
29	BRKT B, PILLION STEP 95015-72100	002	\$10.34
30	PIN B 95015-82000	002	\$1.50
31	WASHER, FOOTPEG 95015-91000	002	\$1.50

(close window)

**JT Motorsports**  
**105 W Parker Rd**  
**Jonesboro, AR 72404**  
**870-932-9001**  
[www.crotchrocket.com](http://www.crotchrocket.com)

**1973 HONDA**  
**CB500K2**  
 September 27, 2006  
 (prices subject to change without notice)



print

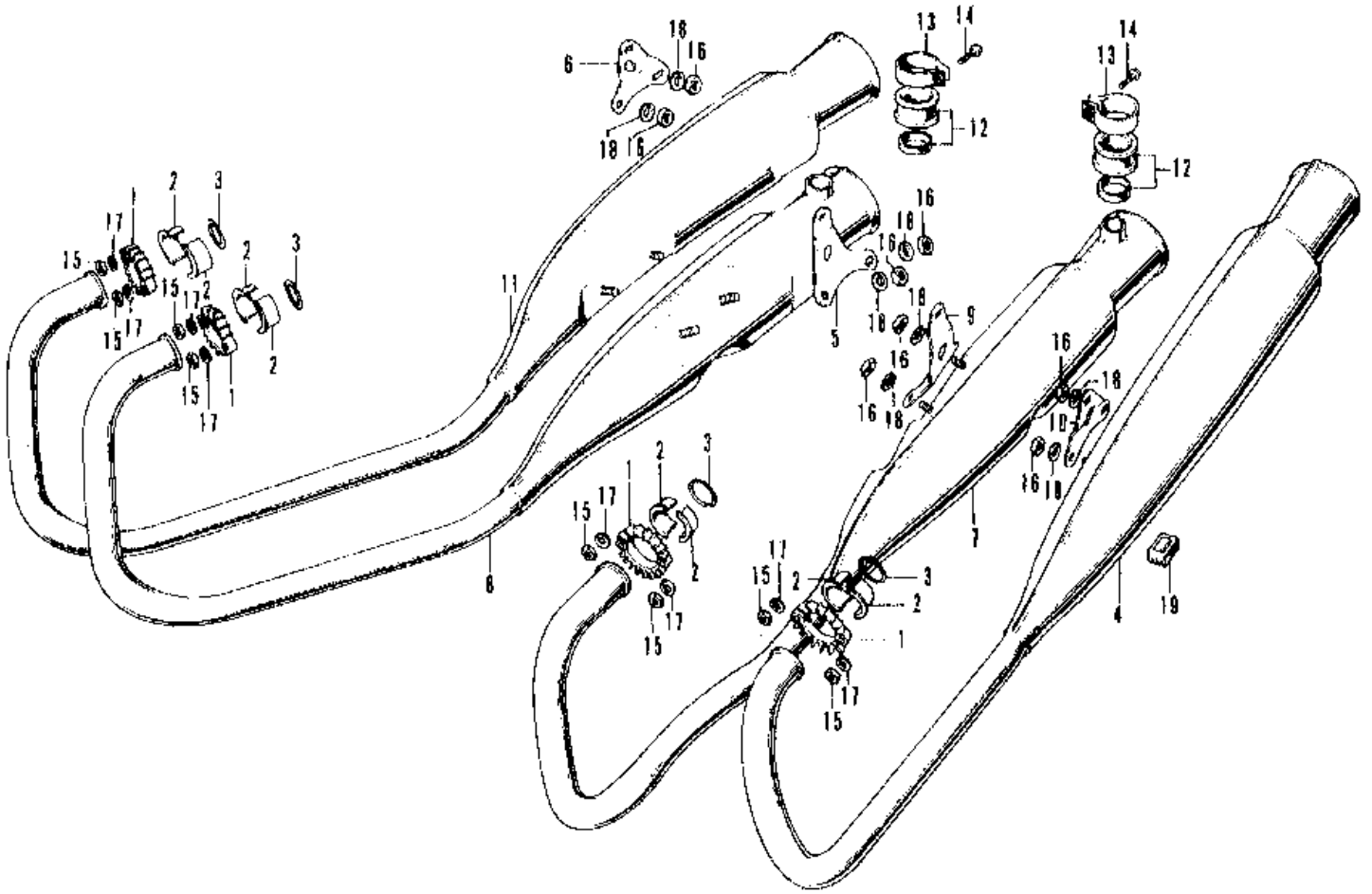
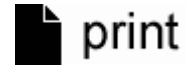


(close window)

**JT Motorsports**  
 105 W Parker Rd  
 Jonesboro, AR 72404  
 870-932-9001  
 www.crotchrocket.com

**1973 HONDA  
 CB500K2  
 MUFFLER**

September 27, 2006



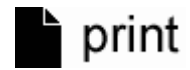
REF#	PART	#REQ	REMARKS	YOUR PRICE
01	JOINT, EX. PIPE 18231-323-000	004		\$21.27
02	COLLAR, EX. JOINT 18233-107-000	008		\$3.35
03	GASKET, EX. PIPE 18291-MN5-650	004		\$2.16
04	MUFFLER 1, EX. 18300-374-707	001		\$167.62
04	MUFFLER 1, EX. 18300-374-707	001		\$167.62
04	MUFFLER 1, EX. 18300-374-707	001		\$167.62
05	BRKT B, R. MUFFLER 18340-323-040	001		\$6.39
06	BRACKET A, R. 18345-323-010	001		\$4.52
07	MUFFLER 2, EX. 18350-374-707	001		\$166.04
07	MUFFLER 2, EX. 18350-374-707	001		\$166.04
07	MUFFLER 2, EX. 18350-374-707	001		\$166.04
08	MUFFLER 3, EX. 18400-374-707	001		\$132.26
08	MUFFLER 3, EX. 18400-374-707	001		\$132.26
08	MUFFLER 3, EX. 18400-374-707	001		\$132.26
09	BRKT B, L. MUFFLER 18430-323-040	001		\$9.75
10	BRACKET A, L. 18435-323-010	001		\$4.52
11	MUFFLER 4, EX. 18450-374-707	001		\$124.71
11	MUFFLER 4, EX. 18450-374-707	001		\$124.71
11	MUFFLER 4, EX. 18450-374-707	001		\$124.71
12	TUBE	002		\$10.17

13	18473-323-000 BAND 18476-323-000	002	\$5.18
14	SCREW, PAN (5X16) 93500-05016-0G	002	\$1.50
15	NUT, HEX. (6MM) 94001-06200-0S	008	\$1.50
15	NUT, HEX. (6MM) 94001-06200-0S	008	\$1.50
15	NUT, HEX. (6MM) 94001-06200-0S	008	\$1.50
15	NUT, HEX. (6MM) 94001-06200-0S	008	\$1.50
15	NUT, HEX. (6MM) 94001-06200-0S	008	\$1.50
15	NUT, HEX. (6MM) 94001-06200-0S	008	\$1.50
15	NUT, HEX. (6MM) 94001-06200-0S	008	\$1.50
16	NUT, HEX. (8MM) 94001-08000-0S	008	\$1.50
17	WASHER, SPRING (6MM) 94111-06000	008	\$1.50
18	WASHER, SPRING (8MM) 94111-08000	008	\$1.50
19	RUBBER A 95011-61000	001	\$1.50

[\(close window\)](#)

**JT Motorsports**  
105 W Parker Rd  
Jonesboro, AR 72404  
870-932-9001  
www.crotchrocket.com

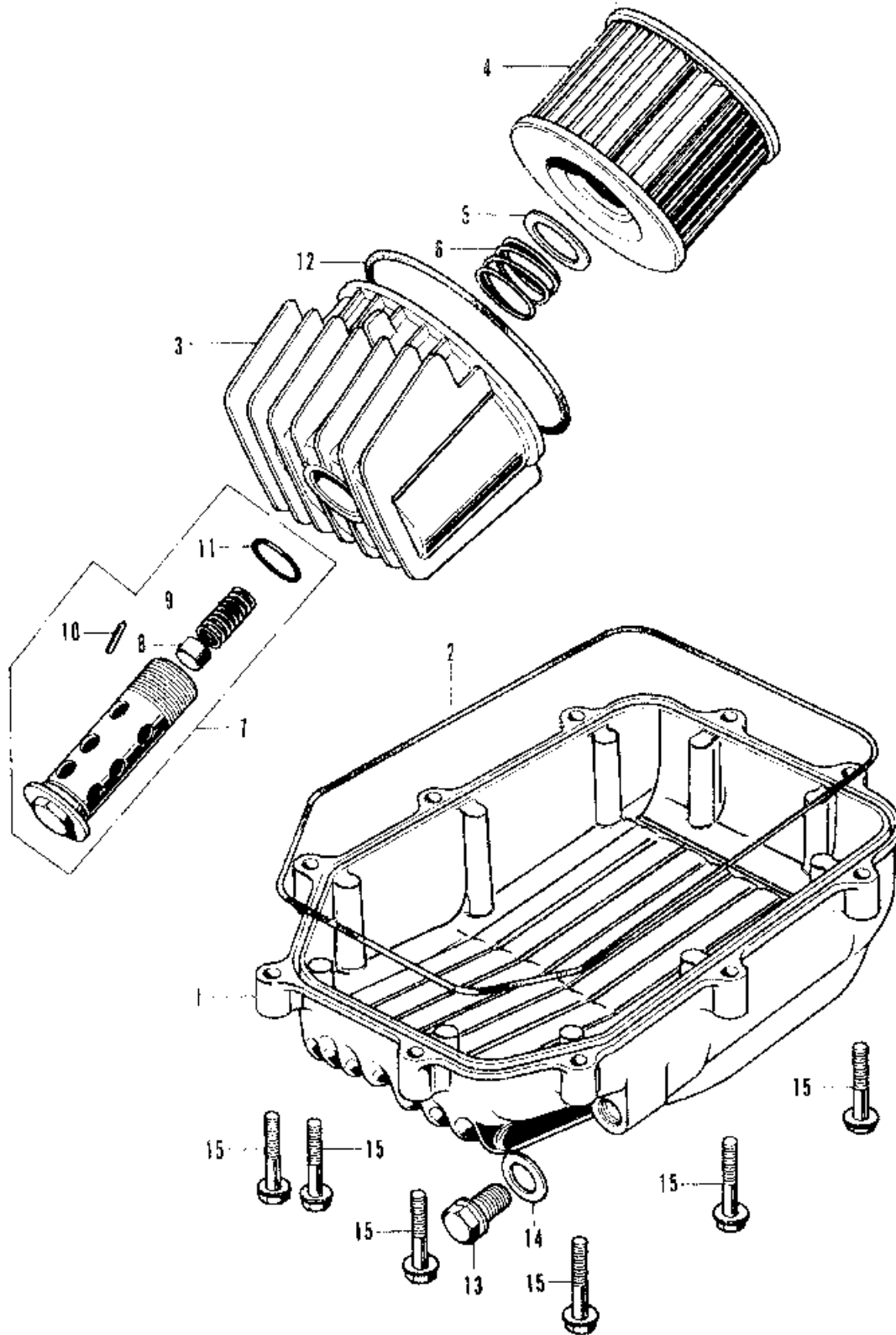
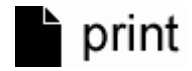
**1973 HONDA**  
**CB500K2**  
September 27, 2006  
(prices subject to change without notice)



[\(close window\)](#)

**JT Motorsports**  
 105 W Parker Rd  
 Jonesboro, AR 72404  
 870-932-9001  
 www.crotchrocket.com

**1973 HONDA  
 CB500K2  
 OIL FILTER @ OIL PAN**  
 September 27, 2006



REF#	PART	#REQ	REMARKS	YOUR PRICE
01	PAN, OIL 11210-323-000	001		\$67.79
02	GASKET, OIL PAN 11398-426-000	001		\$5.55
03	CASE, OIL FILTER 15411-300-010	001		\$57.17
04	ELEMENT, OIL FILTER 15410-426-010	001		\$5.99
04	ELEMENT, OIL FILTER 15410-426-010	001		\$5.99

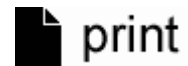
## Fiche Parts

04	ELEMENT, OIL FILTER 15410-426-010	001	\$5.99
04	ELEMENT, OIL FILTER 15410-426-010	001	\$5.99
04	ELEMENT, OIL FILTER 15410-426-010	001	\$5.99
05	SEAT 15414-300-000	001	\$2.27
06	SPRING 15415-300-000	001	\$2.57
07	BOLT 15420-300-020	001	\$34.86
08	VALVE, CHECK 15473-300-300	001	\$2.25
09	SPRING, CHECK VALVE 15474-300-310	001	\$2.58
10	PIN, SPRING SETTING 15477-300-300	001	\$1.88
11	O-RING (15X2.5) 91302-377-000	001	\$3.11
11	O-RING (15X2.5) 91302-377-000	001	\$3.11
12	O-RING (89X4.5) 91316-425-003	001	\$2.34
12	O-RING (89X4.5) 91316-425-003	001	\$2.34
12	O-RING (89X4.5) 91316-425-003	001	\$2.34
13	BOLT, DRAIN (12MM) 92800-12000	001	\$1.50
14	WASHER, DRAIN (12MM) 94109-12000	001	\$1.50
15	BOLT, FLANGE (6X32) 95701-06032-00	010	\$1.50
15	BOLT, FLANGE (6X32) 95701-06032-00	010	\$1.50

[\(close window\)](#)

**JT Motorsports**  
**105 W Parker Rd**  
**Jonesboro, AR 72404**  
**870-932-9001**  
[www.crotchrocket.com](http://www.crotchrocket.com)

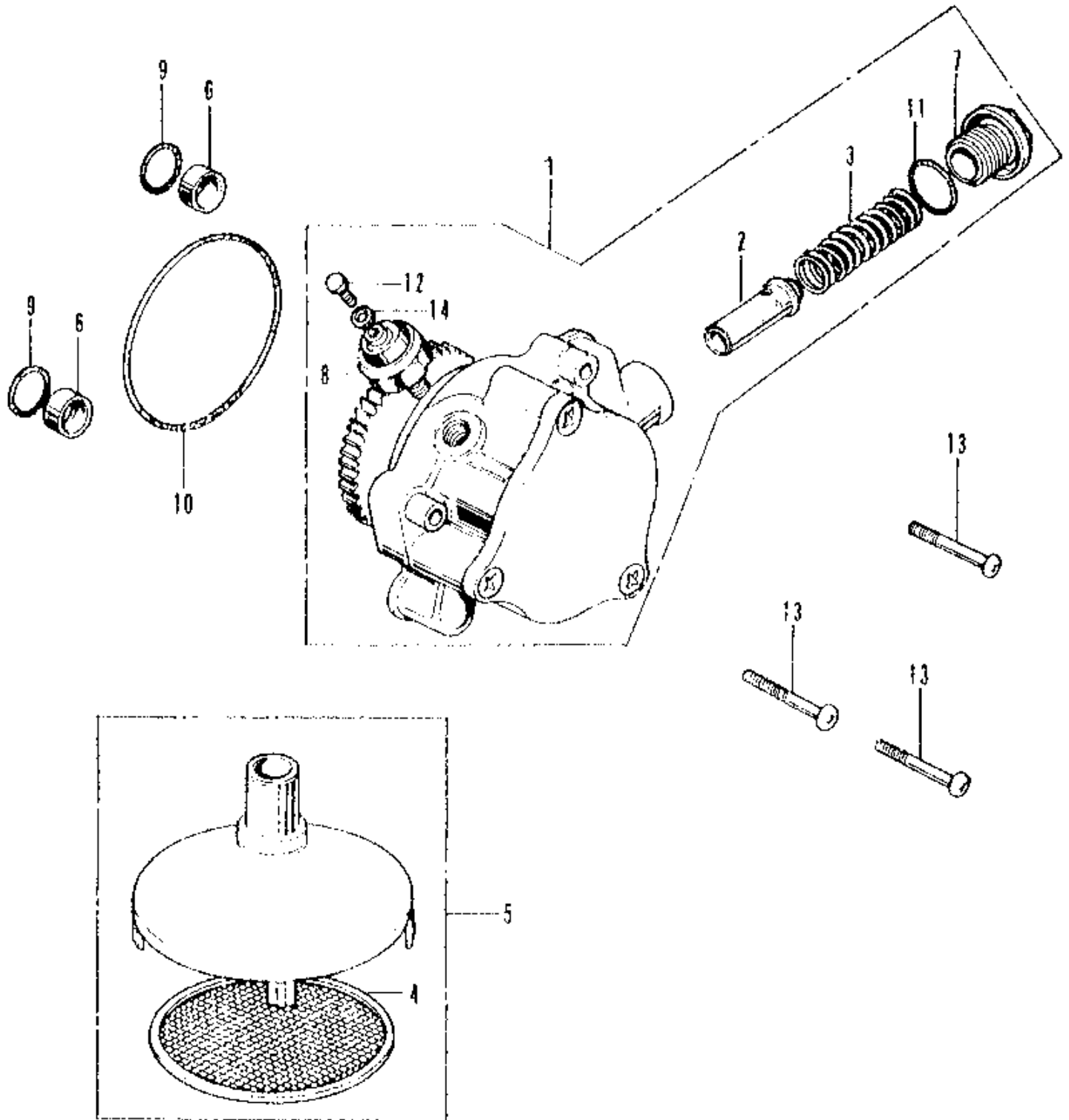
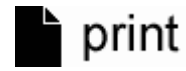
**1973 HONDA**  
**CB500K2**  
 September 27, 2006  
 (prices subject to change without notice)



(close window)

**JT Motorsports**  
 105 W Parker Rd  
 Jonesboro, AR 72404  
 870-932-9001  
 www.crotchrocket.com

**1973 HONDA  
 CB500K2  
 OIL PUMP**  
 September 27, 2006



REF#	PART	#REQ	REMARKS	YOUR PRICE
01	PUMP ASSY., OIL 15100-390-000	001		\$153.36
01	PUMP ASSY., OIL 15100-390-000	001		\$153.36
02	VALVE, RELIEF 15140-300-010	001		\$9.60
03	SPRING, RELIEF VALVE 15145-300-000	001		\$2.33
04	SCREEN, OIL STRAINER 15150-300-000	001		\$14.79
05	STRAINER, OIL 15150-323-000	001		\$22.21

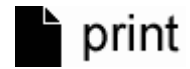
## Fiche Parts

06	COLLAR, O-RING 15155-323-000	002	\$1.50
07	CAP, OIL PASSAGE 15331-323-003	001	\$4.83
08	SWITCH, OIL PRESSURE 37240-P13-013	001	\$21.89
08	SWITCH, OIL PRESSURE 37240-P13-013	001	\$21.89
08	SWITCH, OIL PRESSURE 37240-P13-013	001	\$21.89
08	SWITCH, OIL PRESSURE 37240-P13-013	001	\$21.89
09	O-RING (13.6X2.4) 91301-268-020	002	\$1.53
10	O-RING (47X3.2) 91302-250-010	001	\$3.83
11	O-RING (19.4X2.8) 94608-40000	001	\$1.50
11	O-RING (19.4X2.8) 94608-40000	001	\$1.50
12	BOLT, HEX. (4X6) 92000-04006-0A	001	\$1.50
13	SCREW, PAN (6X35) 93500-06035-0A	003	\$1.50
13	SCREW, PAN (6X35) 93500-06035-0A	003	\$1.50
14	WASHER, PLAIN (4MM) 94101-04000	001	\$1.50

[\(close window\)](#)

**JT Motorsports**  
**105 W Parker Rd**  
**Jonesboro, AR 72404**  
**870-932-9001**  
[www.crotchrocket.com](http://www.crotchrocket.com)

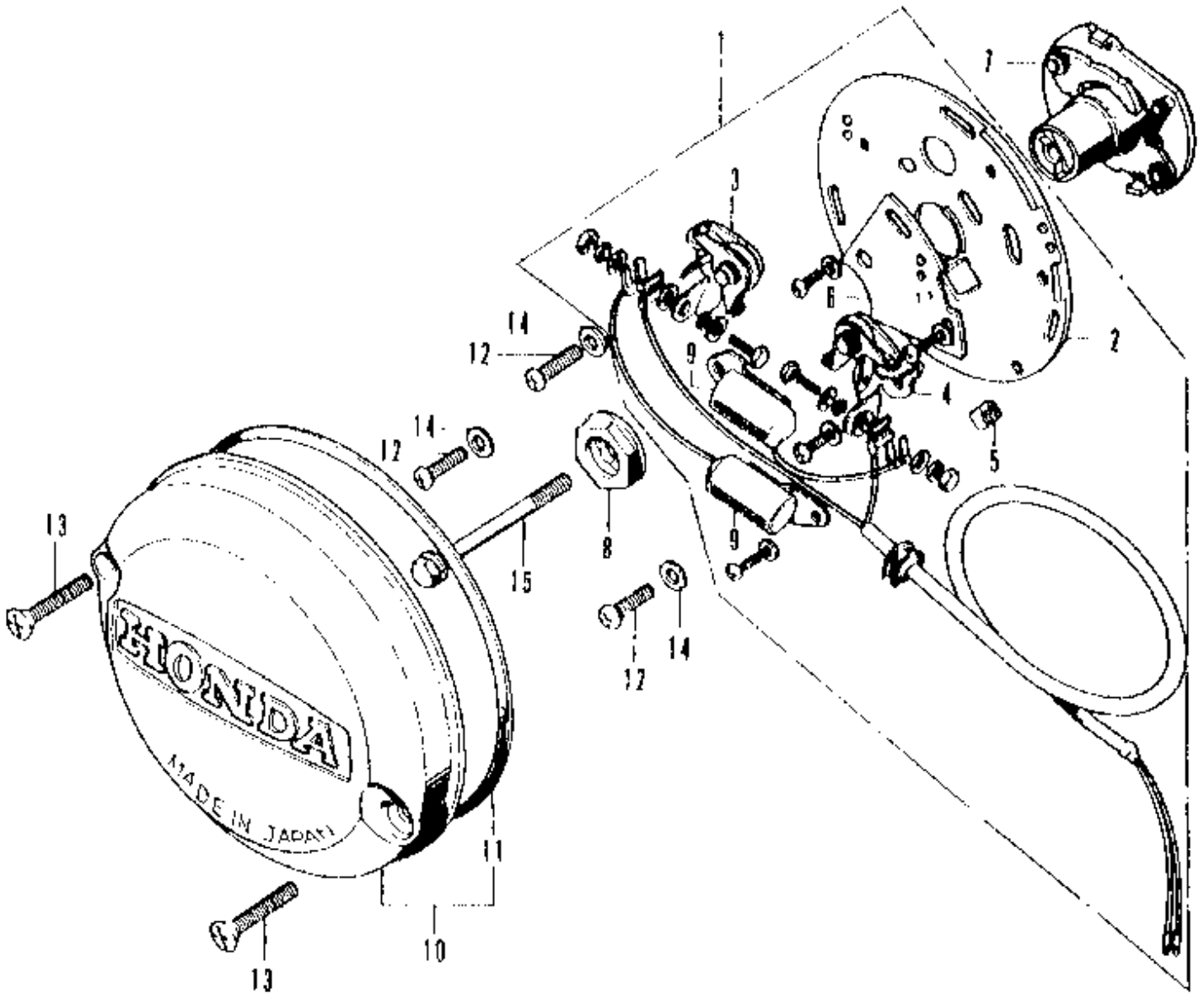
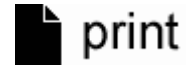
**1973 HONDA**  
**CB500K2**  
 September 27, 2006  
 (prices subject to change without notice)



[\(close window\)](#)

**JT Motorsports**  
 105 W Parker Rd  
 Jonesboro, AR 72404  
 870-932-9001  
 www.crotchrocket.com

**1973 HONDA  
 CB500K2  
 POINTS @ SPARK ADVANCER**  
 September 27, 2006



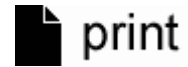
REF#	PART	#REQ	REMARKS	YOUR PRICE
01	POINTS ASSY. 30200-323-154	001		\$57.11
01	POINTS ASSY. 30200-323-154	001		\$57.11
02	PLATE, POINT BASE 30201-300-154	001		\$13.83
02	PLATE, POINT BASE 30201-300-154	001		\$13.83
03	POINTS (1&4) 30203-300-154	001		\$18.71
03	POINTS (1&4) 30203-300-154	001		\$18.71
04	POINTS (2&3) 30204-300-154	001		\$18.71
04	POINTS (2&3) 30204-300-154	001		\$18.71
05	FELT, OIL 30205-300-154	001		\$1.52
05	FELT, OIL 30205-300-154	001		\$1.52
06	PLATE, POINTS SHIFT 30215-300-154	001		\$6.42
06	PLATE, POINTS SHIFT 30215-300-154	001		\$6.42
07	ADVANCER, SPARK 30220-323-154	001		\$33.90
07	ADVANCER, SPARK	001		\$33.90

08	30220-323-154 WASHER, SPECIAL 30233-300-000	001	\$8.30
09	CONDENSER 30250-300-154	002	\$21.36
09	CONDENSER 30250-300-154	002	\$21.36
10	COVER, POINTS 30370-323-000	001	\$63.59
11	GASKET, POINT COVER 30372-300-300	001	\$5.39
12	SCREW, PAN (5X12) 93500-05012-0A	003	\$1.50
13	SCREW, OVAL (6X32) 93700-06032-0B	002	\$1.50
13	SCREW, OVAL (6X32) 93700-06032-0B	002	\$1.50
13	SCREW, OVAL (6X32) 93700-06032-0B	002	\$1.50
14	WASHER, PLAIN (5MM) 94101-05000	003	\$1.50
15	BOLT, FLANGE (6X55) 95701-06055-00	001	\$1.50
15	BOLT, FLANGE (6X55) 95701-06055-00	001	\$1.50

[\(close window\)](#)

**JT Motorsports**  
**105 W Parker Rd**  
**Jonesboro, AR 72404**  
**870-932-9001**  
[www.crotchrocket.com](http://www.crotchrocket.com)

**1973 HONDA**  
**CB500K2**  
 September 27, 2006  
 (prices subject to change without notice)

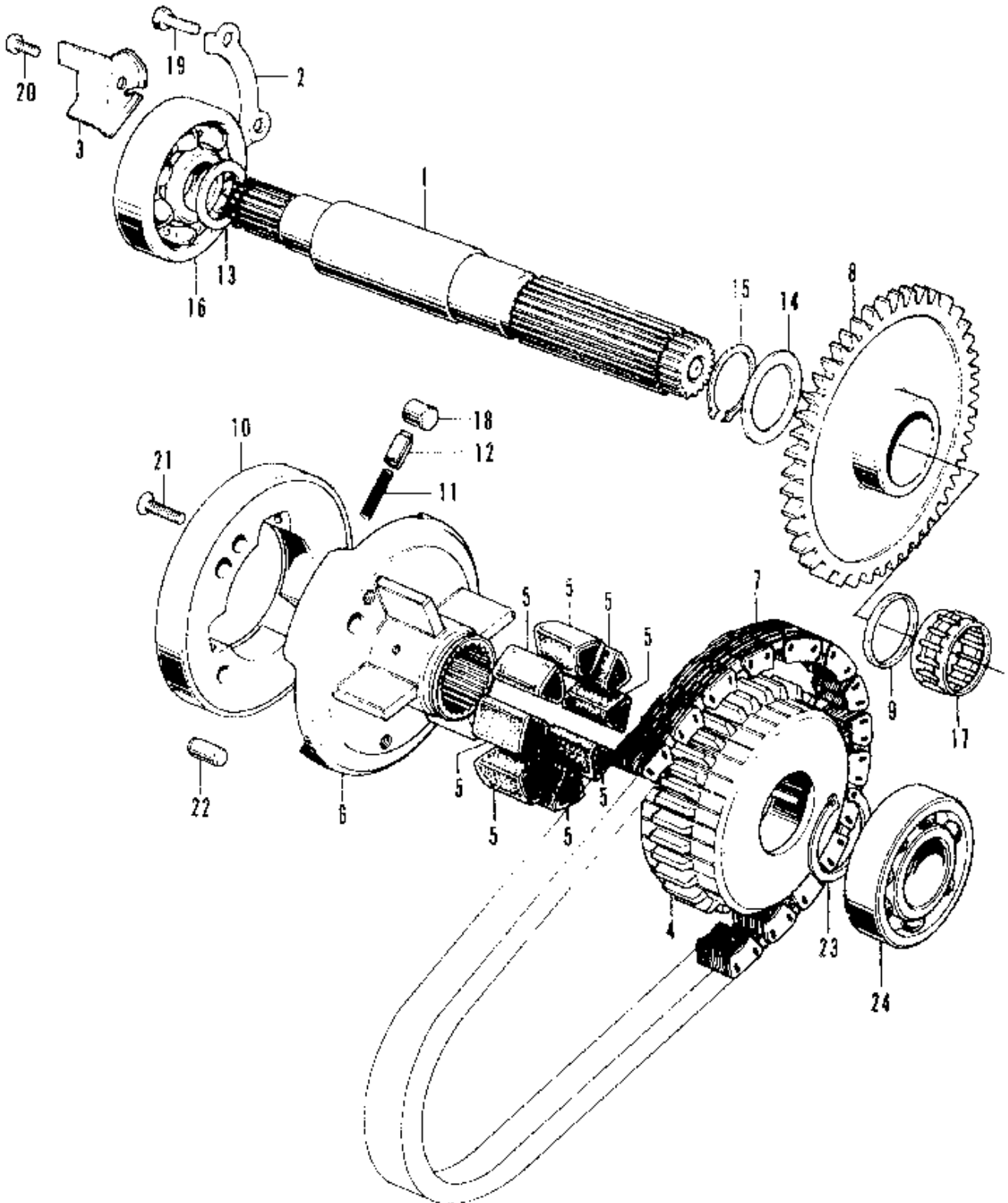
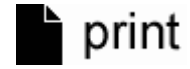




(close window)

**JT Motorsports**  
 105 W Parker Rd  
 Jonesboro, AR 72404  
 870-932-9001  
 www.crotchrocket.com

**1973 HONDA  
 CB500K2  
 PRIMARY SHAFT**  
 September 27, 2006



REF#	PART	#REQ	REMARKS	YOUR PRICE
01	SHAFT, PRIMARY 23100-323-000	001		\$86.46
02	PLATE 23102-323-000	001		\$1.64
03	PLATE, OIL GUIDE 23106-323-000	001		\$1.73
04	SPROCKET (28T) 23111-323-010	001		\$85.10
05	RUBBER, DAMPER 23114-323-000	008		\$2.96

## Fiche Parts

06	HUB 23121-323-010	001	\$93.26
07	CHAIN (50L) 23131-426-003	001	\$91.84
07	CHAIN (50L) 23131-426-003	001	\$91.84
08	GEAR 28111-323-000	001	\$81.23
09	SPACER (25MM) 28112-323-000	001	\$2.57
10	CLUTCH, STARTER 28120-323-000	001	\$48.83
11	SPRING 28125-323-000	003	\$1.50
12	CAP 28126-323-000	003	\$2.94
13	WASHER (22MM) 90456-323-000	001	\$2.43
14	WASHER (25MM) 90555-700-000	001	\$1.77
15	CIRCLIP (25MM) 90602-259-010	001	\$3.56
16	BEARING (63/22) 91002-KY4-901	001	\$16.51
16	BEARING (63/22) 91002-KY4-901	001	\$16.51
16	BEARING (63/22) 91002-KY4-901	001	\$16.51
17	BEARING (25X29X17) 91007-323-000	001	\$13.34
18	ROLLER (10.2X11.5) 91101-377-000	003	\$1.77
18	ROLLER (10.2X11.5) 91101-377-000	003	\$1.77
19	BOLT, HEX. (6X20) 92101-06020-0A	001	\$1.50
19	BOLT, HEX. (6X20) 92101-06020-0A	001	\$1.50
20	SCREW, PAN (6X16) 93500-06016-0A	001	\$1.50
20	SCREW, PAN (6X16) 93500-06016-0A	001	\$1.50
21	SCREW, FLAT (6X18) 93600-06018	003	\$1.50
22	PIN C, DOWEL (8X14) 94303-08140	001	\$1.50
23	CIRCLIP (30MM) 94510-30000	001	\$1.50
24	BEARING (6205) 96100-62050-00	001	\$11.70
24	BEARING (6205) 96100-62050-00	001	\$11.70
24	BEARING (6205) 96100-62050-10	001	\$11.70

[\(close window\)](#)

**JT Motorsports**  
**105 W Parker Rd**  
**Jonesboro, AR 72404**  
**870-932-9001**  
[www.crotchrocket.com](http://www.crotchrocket.com)

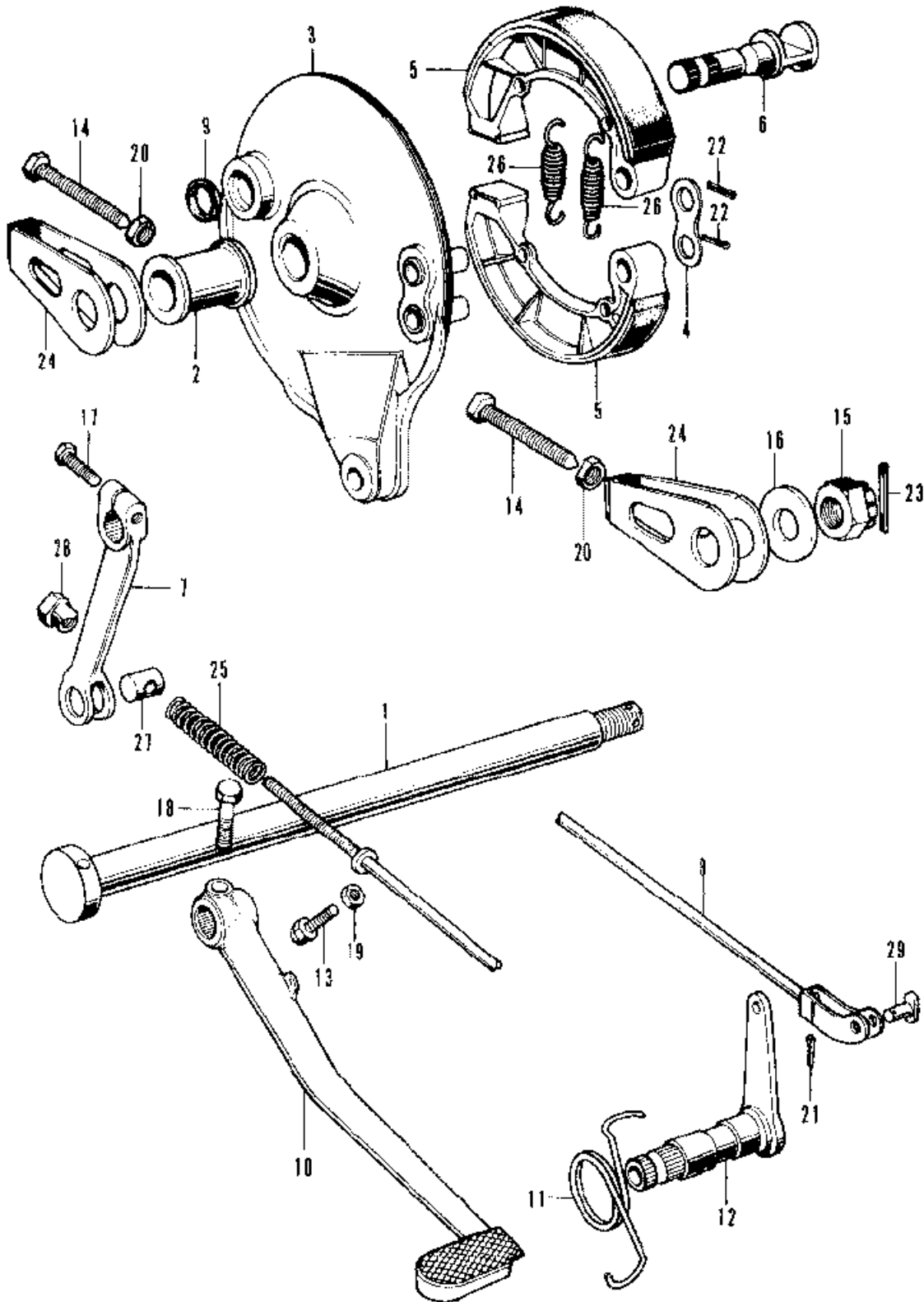
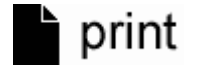
**1973 HONDA**  
**CB500K2**  
 September 27, 2006  
 (prices subject to change without notice)



(close window)

**JT Motorsports**  
 105 W Parker Rd  
 Jonesboro, AR 72404  
 870-932-9001  
 www.crotchrocket.com

**1973 HONDA  
 CB500K2  
 REAR BRAKE PANEL @ BRAKE PEDAL**  
 September 27, 2006



REF#	PART	#REQ	REMARKS	YOUR PRICE
01	AXLE, RR. WHEEL 42301-300-010	001		\$85.20
01	AXLE, RR. WHEEL 42301-300-020	001		\$85.20
02	COLLAR, RR. 42313-323-010	001		\$12.72
03	PANEL, RR. BRAKE 43100-374-000	001		\$98.30
03	PANEL, RR. BRAKE 43100-374-000	001		\$98.30

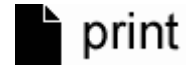
03	PANEL, RR. BRAKE 43100-374-000	001	\$98.30
04	WASHER, ANCHOR PIN 43102-319-000	001	\$3.66
04	WASHER, ANCHOR PIN 43102-319-000	001	\$3.66
05	SHOE KIT, BRAKE 06430-390-405	002	\$41.97
05	SHOE KIT, BRAKE 06430-390-405	002	\$41.97
05	SHOE KIT, BRAKE 06430-390-405	002	\$41.97
05	SHOE KIT, BRAKE 06430-390-405	002	\$41.97
06	CAM, RR. BRAKE 43141-374-000	001	\$22.95
06	CAM, RR. BRAKE 43141-374-000	001	\$22.95
07	ARM, RR. BRAKE 43411-374-000	001	\$27.97
07	ARM, RR. BRAKE 43411-374-000	001	\$27.97
08	ROD, RR. BRAKE 43451-323-020	001	\$5.42
08	ROD, RR. BRAKE 43451-323-020	001	\$5.42
09	DUST SEAL, BRAKE CAM 45134-250-000	001	\$1.64
10	PEDAL, RR. BRAKE 46500-323-010	001	\$48.79
11	SPRING, BRAKE PEDAL 46514-323-020	001	\$5.57
12	SHAFT, RR. 46515-323-010	001	\$38.13
13	BOLT 90104-323-000	001	\$1.50
14	BOLT, CHAIN ADJ. 90119-300-000	002	\$5.01
15	NUT, RR. WHEEL AXLE 90306-329-770	001	\$3.99
15	NUT, RR. WHEEL AXLE 90306-329-770	001	\$3.99
16	WASHER (18.5X34) 90523-292-000	001	\$1.50
17	BOLT, HEX. (6X20) 92101-06020-0A	001	\$1.50
17	BOLT, HEX. (6X20) 92101-06020-0A	001	\$1.50
18	BOLT, HEX. (8X28) 92101-08028-0A	001	\$1.50
18	BOLT, HEX. (8X28) 92101-08028-0A	001	\$1.50
19	NUT, HEX. (6MM) 94001-06200-0S	001	\$1.50
19	NUT, HEX. (6MM) 94001-06200-0S	001	\$1.50
19	NUT, HEX. (6MM) 94001-06200-0S	001	\$1.50
19	NUT, HEX. (6MM) 94001-06200-0S	001	\$1.50
19	NUT, HEX. (6MM) 94001-06200-0S	001	\$1.50
19	NUT, HEX. (6MM) 94001-06200-0S	001	\$1.50
19	NUT, HEX. (6MM) 94001-06200-0S	001	\$1.50
20	NUT, HEX. (8MM) 94002-08000-0S	002	\$1.50
21	PIN, COTTER (1.6X25) 94201-16250	001	\$1.50
21	PIN, COTTER (1.6X25) 94201-16250	001	\$1.50
22	PIN, COTTER (2.5MM) 94201-25300	002	\$1.50
22	PIN, COTTER (2.5MM) 94201-25300	002	\$1.50
22	PIN, COTTER (2.5MM) 94201-25300	002	\$1.50
23	PIN, COTTER (4.0X30) 94201-40300	001	\$1.50
24	ADJUSTER K, CHAIN 95014-19000	002	\$10.07
25	SPRING A, BRAKE ROD 95014-73100	001	\$1.50
25	SPRING A, BRAKE ROD 95014-73100	001	\$1.50
26	SPRING, BRAKE SHOE 95014-74320	002	\$1.77
27	JOINT, BRAKE ARM 95015-32001	001	\$1.50
27	JOINT, BRAKE ARM 95015-32001	001	\$1.50
28	NUT B 95015-42000	001	\$1.50
29	PIN B 95015-52000	001	\$1.50

NI	SHOE KIT, BRAKE 06430-390-405	001	\$41.97
NI	SHOE KIT, BRAKE 06430-390-405	001	\$41.97

[\(close window\)](#)

**JT Motorsports**  
105 W Parker Rd  
Jonesboro, AR 72404  
870-932-9001  
www.crotchrocket.com

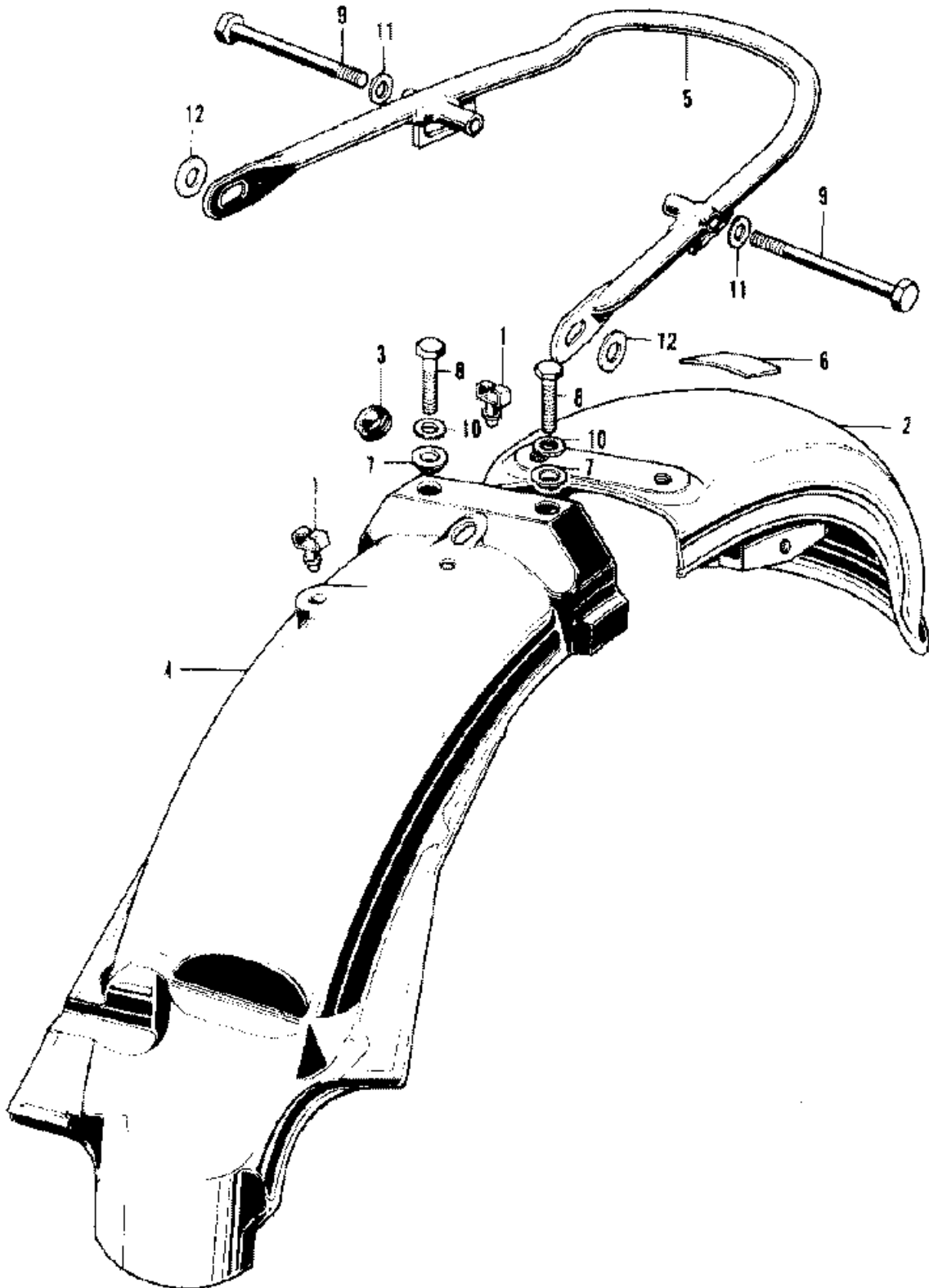
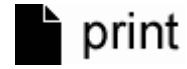
**1973 HONDA  
CB500K2**  
September 27, 2006  
(prices subject to change without notice)



[\(close window\)](#)

**JT Motorsports**  
 105 W Parker Rd  
 Jonesboro, AR 72404  
 870-932-9001  
 www.crotchrocket.com

**1973 HONDA  
 CB500K2  
 REAR FENDER**  
 September 27, 2006



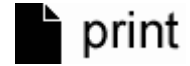
REF#	PART	#REQ	REMARKS	YOUR PRICE
01	GROMMET, CABLE 32985-300-000	002		\$1.92
02	FDR A, RR. *MR2R2* 80100-323-670XW	001		\$74.77
03	GROMMET, CABLE 80102-323-000	002		\$1.50
04	FENDER B ASSY., RR. 80103-323-000	001		\$49.62
05	BUMPER, RR. 84101-323-671	001		\$39.73

06	MARK, TIRE CAUTION 87507-323-651	001	\$3.39
07	WASHER (6X9) 90513-323-000	002	\$1.50
08	BOLT, HEX. (6X28) 92101-06028-0A	002	\$1.50
08	BOLT, HEX. (6X28) 92101-06028-0A	002	\$1.50
09	BOLT, HEX. (8X80) 93000-08080-0B	002	\$1.50
10	WASHER, PLAIN (6MM) 94101-06800	002	\$1.50
10	WASHER, PLAIN (6MM) 94101-06800	002	\$1.50
10	WASHER, PLAIN (6MM) 94101-06800	002	\$1.50
11	WASHER, PLAIN (8MM) 94101-08200	002	\$1.50
12	WASHER, PLAIN (10MM) 94101-10200	002	\$1.50

[\(close window\)](#)

**JT Motorsports**  
**105 W Parker Rd**  
**Jonesboro, AR 72404**  
**870-932-9001**  
[www.crotchrocket.com](http://www.crotchrocket.com)

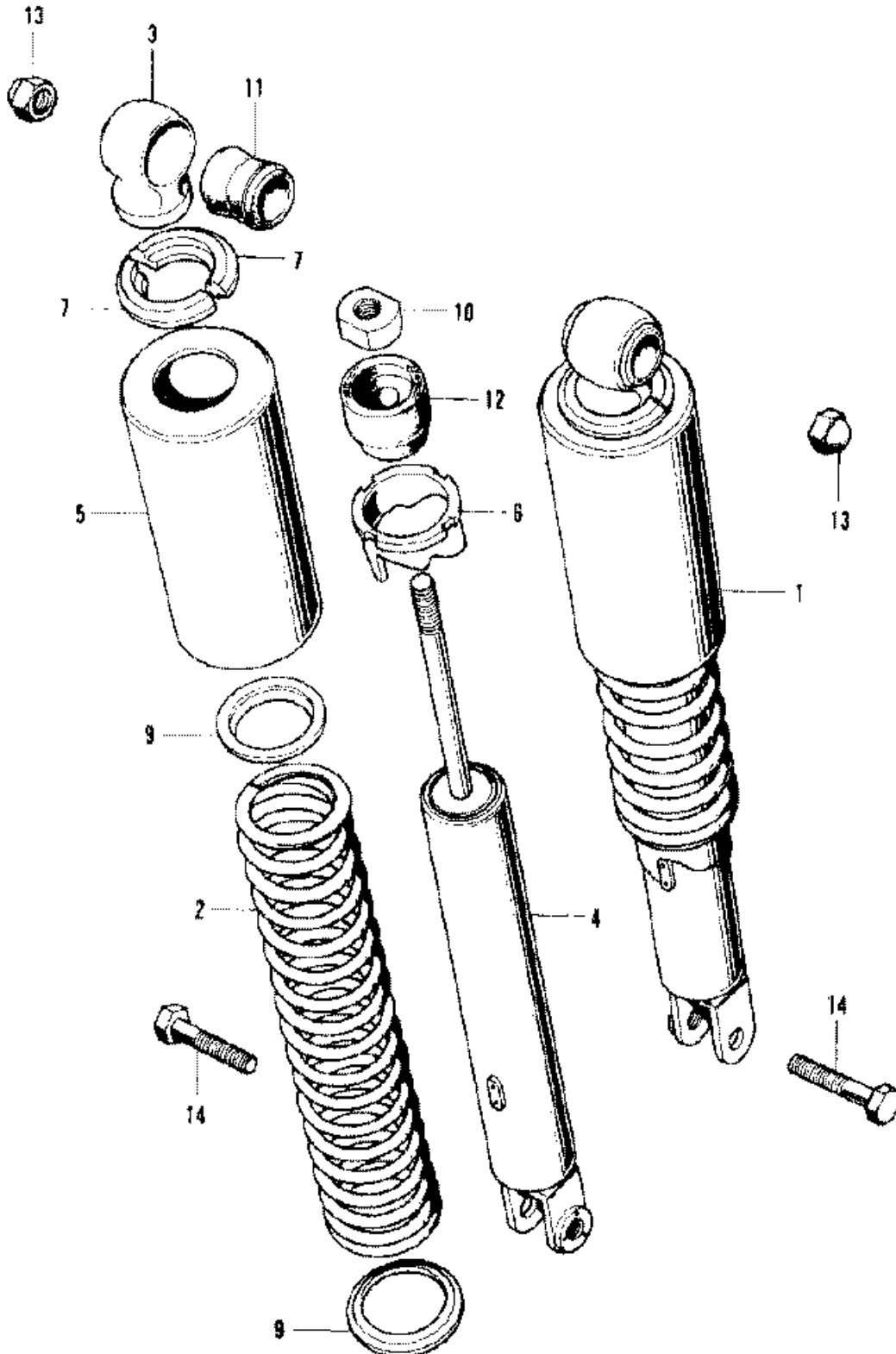
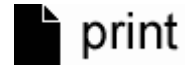
**1973 HONDA**  
**CB500K2**  
 September 27, 2006  
 (prices subject to change without notice)



(close window)

**JT Motorsports**  
 105 W Parker Rd  
 Jonesboro, AR 72404  
 870-932-9001  
 www.crotchrocket.com

**1973 HONDA  
 CB500K2  
 REAR SHOCK ABSORBER**  
 September 27, 2006



REF#	PART	#REQ	REMARKS	YOUR PRICE
01	S/ABS ASSY. *MRCR2* 52400-390-681XW	002		\$123.68
02	SPRING, RR. SHOCK 52401-323-000	002		\$12.75
03	JOINT (UPPER) 52403-312-000	002		\$12.56
04	DAMPER, RR. 52410-323-670	002		\$43.95
05	CASE, RR. *MRCR2* 52421-300-000XW	002		\$31.12

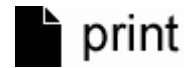


06	ADJUSTER, RR. 52422-329-000	002	\$18.65
07	STOPPER, SPRING SEAT 52424-331-003	004	\$6.57
09	SEAT, RR. 52459-312-003	002	\$5.82
10	NUT, LOCK (10MM) 52482-312-000	002	\$1.74
11	RUBBER, JOINT 52484-292-000	002	\$3.11
12	RUBBER, STOPPER 52517-358-771	002	\$2.07
13	NUT, FLANGE (10MM) 90309-315-000	002	\$2.99
14	BOLT, HEX. (10X32) 93100-10032-0A	002	\$1.50
14	BOLT, HEX. (10X32) 93100-10032-0A	002	\$1.50

[\(close window\)](#)

**JT Motorsports**  
105 W Parker Rd  
Jonesboro, AR 72404  
870-932-9001  
www.crotchrocket.com

**1973 HONDA**  
**CB500K2**  
September 27, 2006  
(prices subject to change without notice)

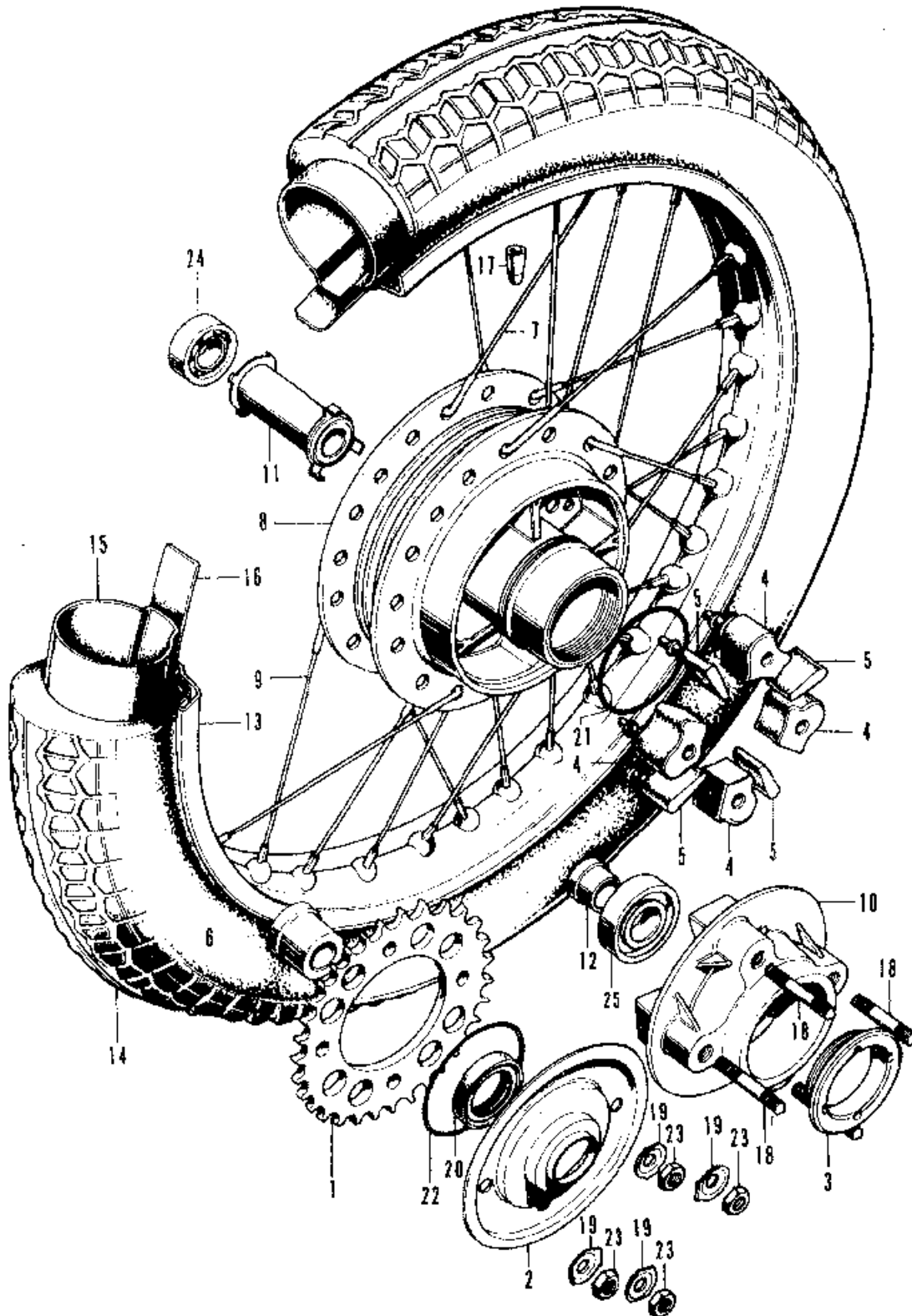
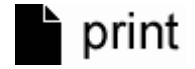


(close window)

**JT Motorsports**  
 105 W Parker Rd  
 Jonesboro, AR 72404  
 870-932-9001  
 www.crotchrocket.com

**1973 HONDA  
 CB500K2  
 REAR WHEEL @ DRIVEN SPROCKET**

September 27, 2006



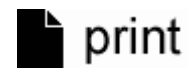
REF#	PART	#REQ	REMARKS	YOUR PRICE
01	SPROCKET (34T) 41201-323-010	001		\$35.38
02	PLATE, SPROCKET SIDE 41211-323-000	001		\$12.80
03	RETAINER, RR. 41231-323-020	001		\$28.93
04	DAMPER A, RR. 41242-323-000	004		\$8.81
05	DAMPER B, RR. 41243-323-000	004		\$4.11

06	COLR, RR. WHEEL SIDE 42311-323-040	001	\$14.04
07	SPOKE A, RR. 42601-283-000	020	\$4.35
08	HUB, RR. WHEEL 42601-323-030	001	\$229.61
09	SPOKE B, RR. 42604-283-000	020	\$2.99
10	FLANGE, FINAL DRIVEN 42610-323-000	001	\$130.24
11	COLLAR, RR. 42620-323-030	001	\$8.72
12	COLLAR B, RR. 42625-283-000	001	\$5.12
13	RIM, RR. WHEEL (18) 42701-404-771	001	\$38.03
13	RIM, RR. WHEEL (18) 42701-404-771	001	\$38.03
14	TIRE, RR. (3.50S-18) 42711-388-671	001	\$28.35
14	TIRE, RR. (3.50S-18) 42711-388-671	001	\$28.35
15	TUBE, TIRE (3.50-18) 42712-446-631	001	\$7.14
15	TUBE, TIRE (3.50-18) 42712-446-631	001	\$7.14
15	TUBE, TIRE (3.50-18) 42712-446-631	001	\$7.14
15	TUBE, TIRE (3.50-18) 42712-446-631	001	\$7.14
15	TUBE, TIRE (3.50-18) 42712-446-631	001	\$7.14
15	TUBE, TIRE (3.50-18) 42712-446-631	001	\$7.14
15	TUBE, TIRE (3.50-18) 42712-446-631	001	\$7.14
15	TUBE, TIRE (3.50-18) 42712-446-631	001	\$7.14
15	TUBE, TIRE (3.50-18) 42712-446-631	001	\$7.14
16	FLAP, TIRE (18) 42713-268-003	001	\$3.54
17	BALANCER (20G) 44606-283-000	AR	\$2.78
17	BALANCER (15G) 44607-283-000	AR	\$2.78
17	BALANCER (10G) 44608-283-000	AR	\$2.78
17	BALANCER, WHEEL (5G) 44609-283-000	AR	\$2.78
18	BOLT, STUD (10X48MM) 90125-323-000	004	\$2.99
19	WASHER (10MM) 90524-323-000	004	\$1.73
20	OIL SEAL (34X55X9) 90753-283-000	001	\$8.16
21	O-RING (79X2.6) 91261-323-000	001	\$1.80
22	O-RING (92X2) 91262-323-000	001	\$2.15
23	NUT, HEX. (10MM) 94030-10000	004	\$1.50
24	BEARING (6304U) 96140-63040-10	001	\$11.97
25	BEARING (6305U) 96140-63050-10	001	\$12.53

[\(close window\)](#)

**JT Motorsports**  
**105 W Parker Rd**  
**Jonesboro, AR 72404**  
**870-932-9001**  
[www.crotchrocket.com](http://www.crotchrocket.com)

**1973 HONDA**  
**CB500K2**  
 September 27, 2006  
 (prices subject to change without notice)

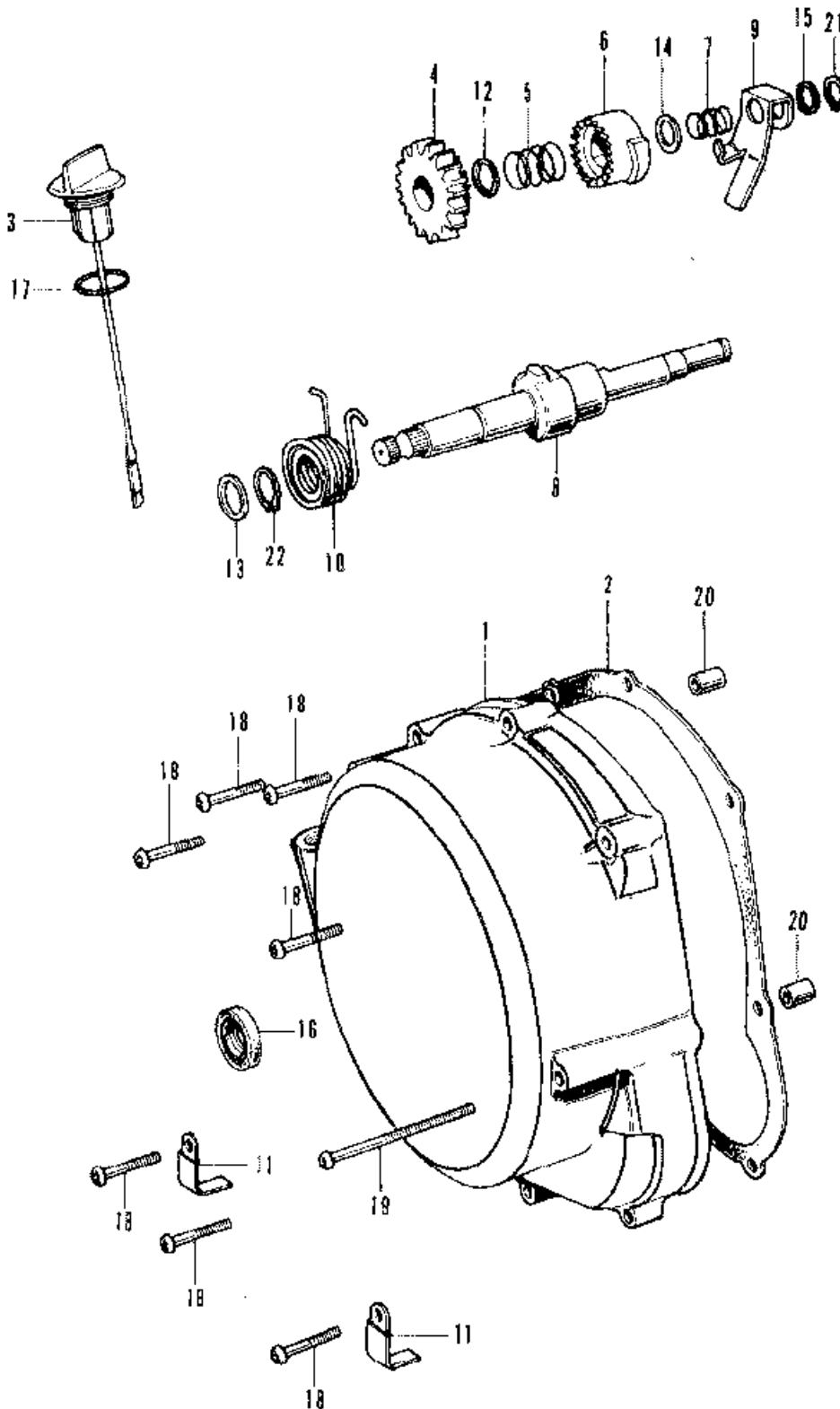
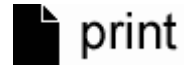


print

(close window)

**JT Motorsports**  
 105 W Parker Rd  
 Jonesboro, AR 72404  
 870-932-9001  
 www.crotchrocket.com

**1973 HONDA  
 CB500K2  
 RIGHT CRANKCASE COVER @ KICK SPINDLE**  
 September 27, 2006



REF#	PART	#REQ	REMARKS	YOUR PRICE
01	COVER, R. CRANKCASE 11331-323-010	001		\$84.69
02	GASKET, R. 11394-323-306	001		\$7.82
02	GASKET, R. 11394-323-306	001		\$7.82
03	DIPSTICK, OIL 15650-323-000	001		\$9.71
04	PINION, KICK STARTER 28211-323-000	001		\$41.75

## Fiche Parts

05	SPRING 28215-216-000	001	\$1.50
06	RATCHET 28221-310-020	001	\$25.50
06	RATCHET 28221-310-020	001	\$25.50
07	SPRING 28223-216-000	001	\$1.50
08	SPINDLE 28251-323-000	001	\$34.81
09	PLATE, RATCHET GUIDE 28258-310-010	001	\$6.41
10	SPRING, KICK STARTER 28261-323-000	001	\$3.44
11	CLAMP, CABLE 32111-323-000	002	\$2.15
12	WASHER (20MM) 90451-216-000	001	\$1.50
13	WASHER (18MM) 90451-357-000	001	\$2.82
13	WASHER (18MM) 90451-357-000	001	\$2.82
14	WASHER (15X1) 90457-HB3-000	001	\$1.88
14	WASHER (15X1) 90457-HB3-000	001	\$1.88
15	WASHER (12MM) 90452-ZG0-000	001	\$1.50
15	WASHER (12MM) 90452-ZG0-000	001	\$1.50
16	OIL SEAL (18X29X7) 91204-286-003	001	\$2.34
17	O-RING (23X2) 91354-371-000	001	\$1.68
17	O-RING (23X2) 91354-371-000	001	\$1.68
18	SCREW, PAN (6X32) 93500-06032-0A	009	\$1.50
18	SCREW, PAN (6X32) 93500-06032-0A	009	\$1.50
19	SCREW, PAN (6X80) 93500-06080-0A	001	\$1.50
19	SCREW, PAN (6X80) 93500-06080-0A	001	\$1.50
20	PIN, DOWEL (8X14) 94301-08140	002	\$1.50
21	CIRCLIP (12MM) 94510-12000	001	\$1.50
22	CIRCLIP (18MM) 94510-18000	001	\$1.50

[\(close window\)](#)

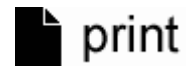
**JT Motorsports**  
**105 W Parker Rd**  
**Jonesboro, AR 72404**  
**870-932-9001**

[www.crotchrocket.com](http://www.crotchrocket.com)

**1973 HONDA**  
**CB500K2**

September 27, 2006

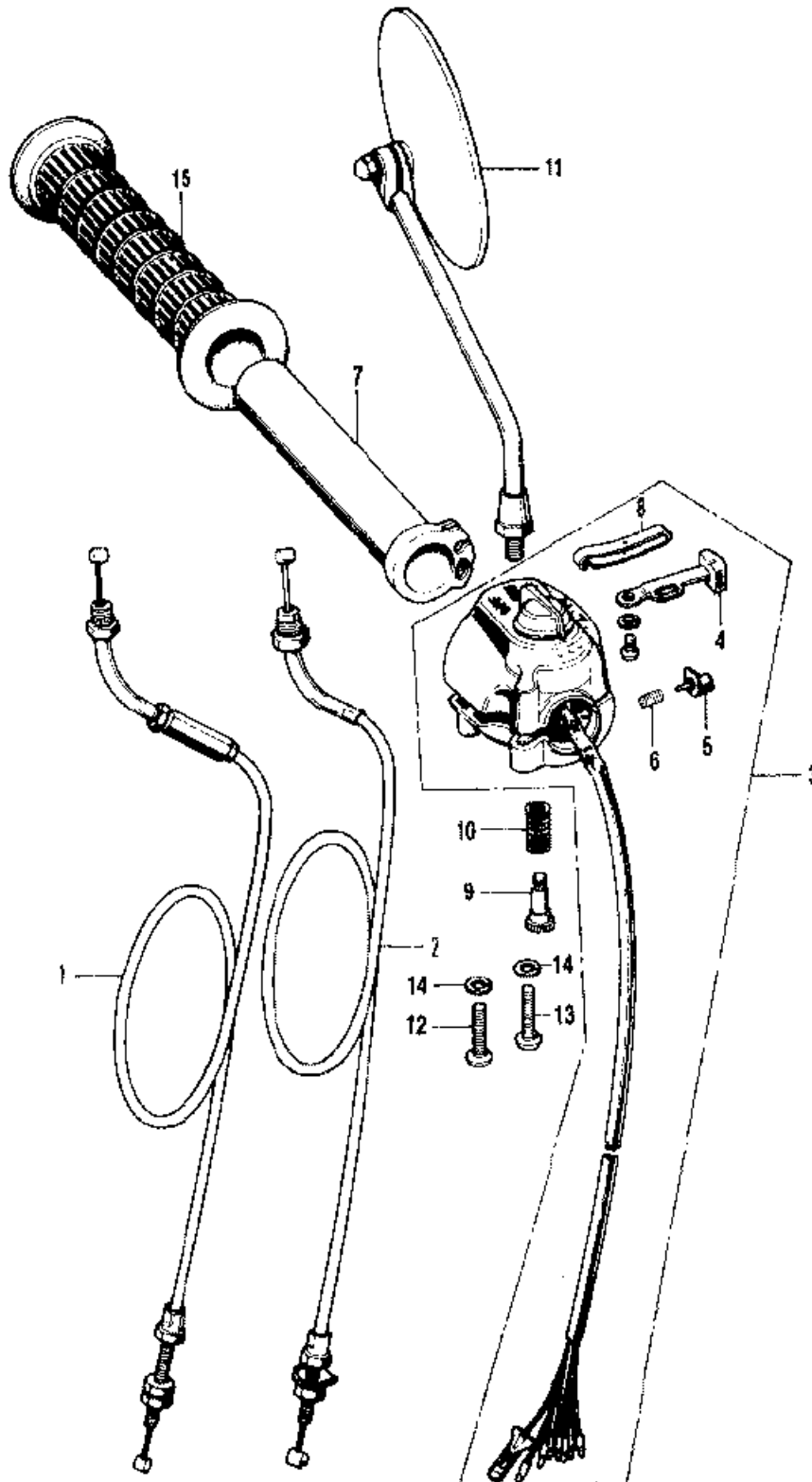
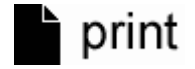
(prices subject to change without notice)



[\(close window\)](#)

**JT Motorsports**  
 105 W Parker Rd  
 Jonesboro, AR 72404  
 870-932-9001  
 www.crotchrocket.com

**1973 HONDA  
 CB500K2  
 RIGHT HANDLE SWITCH @ CABLE**  
 September 27, 2006



REF#	PART	#REQ	REMARKS	YOUR PRICE
01	CABLE A, THROTTLE 17910-341-000	001		\$29.21
02	CABLE B, THROTTLE 17920-323-000	001		\$23.04
03	SWITCH ASSY. 35300-323-671	001		\$41.13
04	KNOB 35315-235-000	001		\$1.50
05	BUTTON 35317-001-310	001		\$2.21

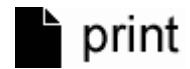
## Fiche Parts

06	SPRING, BUTTON 35318-259-000	001	\$2.54
07	PIPE, THROTTLE GRIP 53141-300-010	001	\$11.03
08	ADJUSTER 53163-300-020	001	\$2.84
09	BOLT 53190-300-000	001	\$6.14
10	SPRING 53191-300-000	001	\$1.50
11	MIRROR, R. 88110-333-611	001	\$19.32
11	MIRROR, R. BACK 88110-323-610	001	\$26.55
11	MIRROR, R. 88110-333-611	001	\$19.32
11	MIRROR, R. BACK 88110-323-610	001	\$26.55
12	SCREW, PAN (5X25) 93500-05025-0A	001	\$1.50
13	SCREW, PAN (5X32) 93500-05032-0A	001	\$1.50
14	WASHER, SPRING (5MM) 94111-05000	002	\$1.50
15	GRIP, R. HANDLEBAR 53165-342-670	001	\$7.95

[\(close window\)](#)

**JT Motorsports**  
**105 W Parker Rd**  
**Jonesboro, AR 72404**  
**870-932-9001**  
[www.crotchrocket.com](http://www.crotchrocket.com)

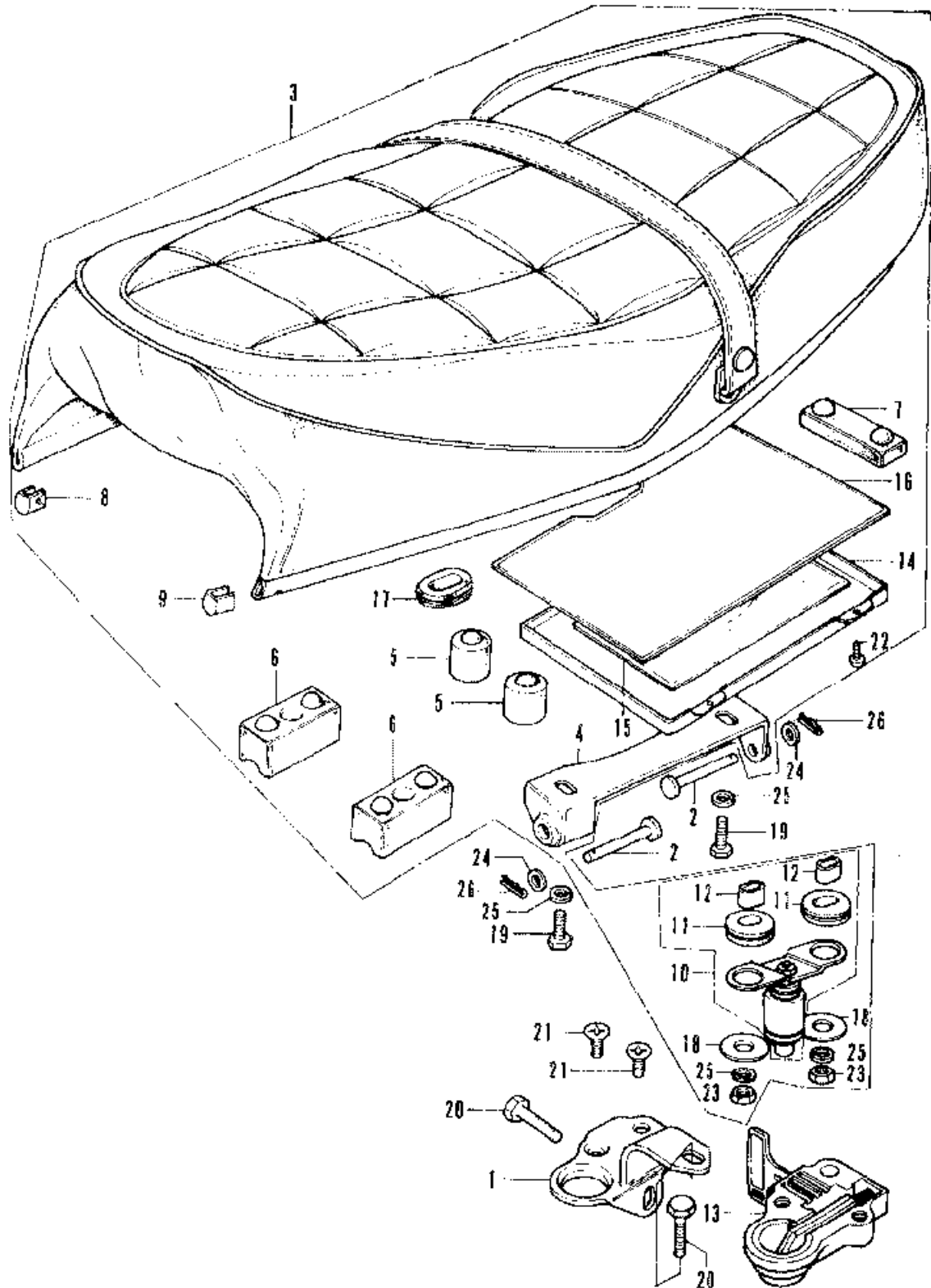
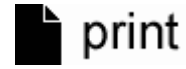
**1973 HONDA**  
**CB500K2**  
 September 27, 2006  
 (prices subject to change without notice)



(close window)

**JT Motorsports**  
 105 W Parker Rd  
 Jonesboro, AR 72404  
 870-932-9001  
 www.crotchrocket.com

**1973 HONDA**  
**CB500K2**  
**SEAT K1-K2**  
 September 27, 2006



REF#	PART	#REQ	REMARKS	YOUR PRICE
01	PLATE 50223-323-010	001		\$10.40
02	BAR, SEAT HINGE 77103-313-000	002		\$4.55
03	SEAT ASSY. *NH1L* 77200-323-050A	001		\$112.08
04	HINGE, SEAT 77201-323-010	001		\$10.85
04	HINGE, SEAT 77201-323-010	001		\$10.85



05	RUBBER, SEAT SETTING 77204-286-020	002	\$5.27
06	RUBBER, SEAT SETTING 77204-292-000	002	\$4.64
07	RUBBER, SEAT SETTING 77204-312-000	001	\$2.94
08	GARNISH, R. 77211-323-300	001	\$1.74
09	GARNISH, L. 77212-323-300	001	\$2.00
10	BAR ASSY., SEAT LOCK 77220-340-003	001	\$14.51
11	RUBBER 77228-340-003	002	\$1.58
11	RUBBER 77228-340-003	002	\$1.58
11	RUBBER 77228-340-003	002	\$1.58
12	COLR, SEAT LOCK BAR 77229-340-003	002	\$1.50
12	COLR, SEAT LOCK BAR 77229-340-003	002	\$1.50
12	COLR, SEAT LOCK BAR 77229-340-003	002	\$1.50
13	LOCK ASSY., SEAT 77230-107-711	001	\$43.95
13	LOCK ASSY., SEAT 77230-107-711	001	\$43.95
14	LID, SEAT (LOWER) 77250-342-300	001	\$8.10
15	BAG, SERVICE BOOK 77251-342-000	001	\$3.38
16	LID, SEAT 77260-323-300	001	\$7.04
17	GROMMET, A/CLNR HSG 83551-300-000	001	\$2.45
18	WASHER, PLAIN (6MM) 94103-06800	002	\$1.50
18	WASHER, PLAIN (6MM) 94103-06800	002	\$1.50
19	BOLT, HEX. (6X16) 92101-06016-0A	002	\$1.50
19	BOLT, HEX. (6X16) 92101-06016-0A	002	\$1.50
19	BOLT, HEX. (6X16) 92101-06016-0A	002	\$1.50
19	BOLT, HEX. (6X16) 92101-06016-0A	002	\$1.50
19	BOLT, HEX. (6X16) 92101-06016-0A	002	\$1.50
19	BOLT, HEX. (6X16) 92101-06016-0A	002	\$1.50
20	BOLT, HEX. (6X18) 92101-06018-0A	002	\$1.50
20	BOLT, HEX. (6X18) 92101-06018-0A	002	\$1.50
20	BOLT, HEX. (6X18) 92101-06018-0A	002	\$1.50
20	BOLT, HEX. (6X18) 92101-06018-0A	002	\$1.50
21	SCREW, FLAT (6X16) 93600-06016-0G	002	\$1.50
21	SCREW, FLAT (6X16) 93600-06016-0G	002	\$1.50
22	SCREW, TAPPING (5X8) 93901-25080	002	\$1.50
23	NUT, HEX. (6MM) 94001-06200-0S	002	\$1.50
23	NUT, HEX. (6MM) 94001-06200-0S	002	\$1.50
23	NUT, HEX. (6MM) 94001-06200-0S	002	\$1.50
23	NUT, HEX. (6MM) 94001-06200-0S	002	\$1.50
23	NUT, HEX. (6MM) 94001-06200-0S	002	\$1.50
23	NUT, HEX. (6MM) 94001-06200-0S	002	\$1.50
23	NUT, HEX. (6MM) 94001-06200-0S	002	\$1.50
24	WASHER, PLAIN (6MM) 94101-06800	002	\$1.50
24	WASHER, PLAIN (6MM) 94101-06800	002	\$1.50
24	WASHER, PLAIN (6MM) 94101-06800	002	\$1.50
25	WASHER, SPRING (6MM) 94111-06000	006	\$1.50
26	PIN, LOCK (6MM) 94251-06000	002	\$1.50

[\(close window\)](#)

**JT Motorsports**  
105 W Parker Rd  
Jonesboro, AR 72404

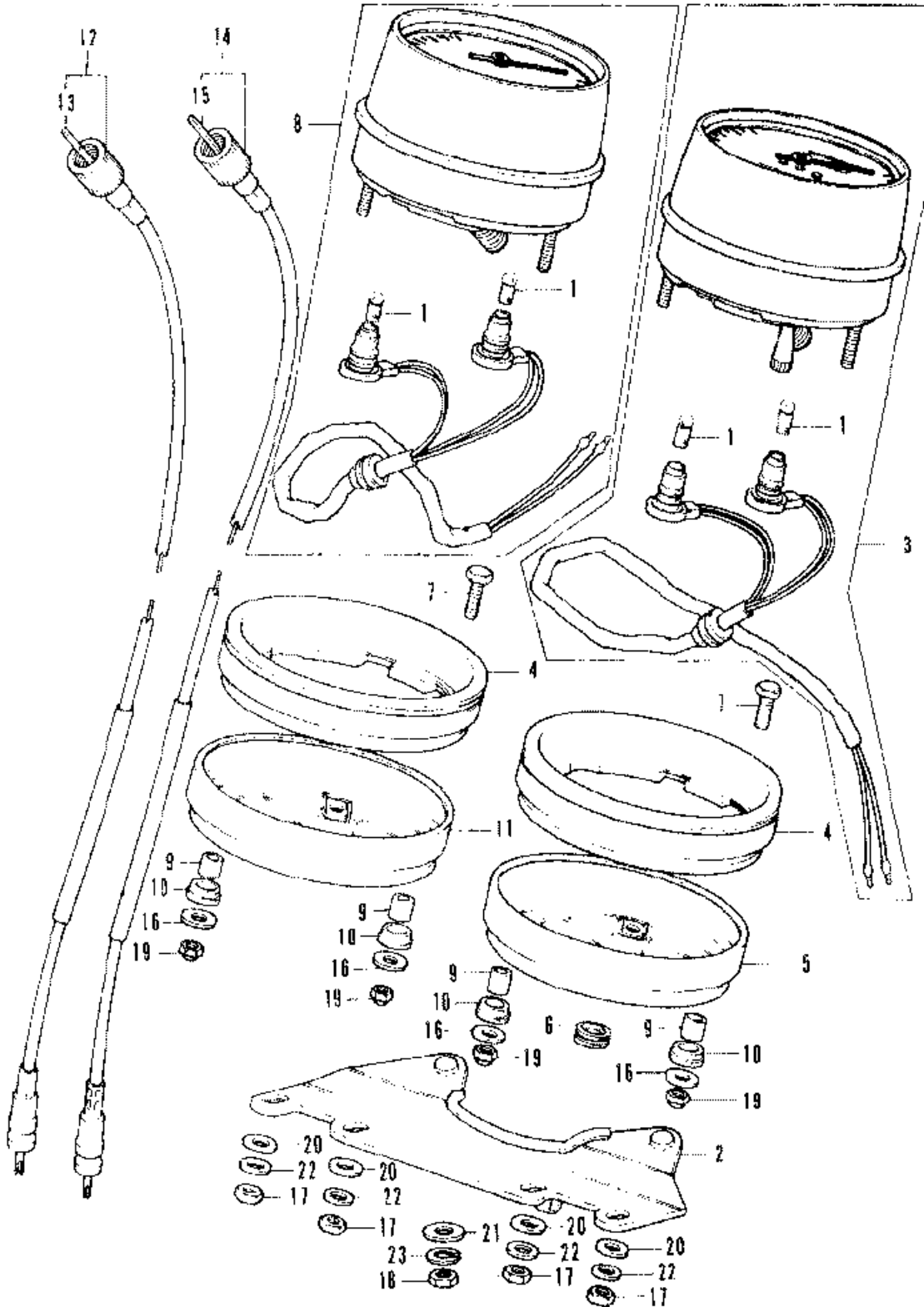
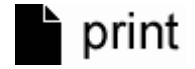
**1973 HONDA**  
**CB500K2**

(close window)

**JT Motorsports**  
 105 W Parker Rd  
 Jonesboro, AR 72404  
 870-932-9001  
 www.crotchrocket.com

**1973 HONDA  
 CB500K2  
 SPEEDOMETER @ TACHOMETER K2**

September 27, 2006



REF#	PART	#REQ	REMARKS	YOUR PRICE
01	BULB, DASH (12V3.4W) 34902-259-000	004		\$1.50
02	PLATE, METER SETTING 37211-341-700	001		\$19.69
03	SPEEDOMETER ASSY. 37200-374-671	001		\$190.65
03	SPEEDOMETER ASSY. 37200-374-671	001		\$190.65
03	SPEEDOMETER ASSY. 37230-323-704	001		\$211.21

03	SPEEDOMETER ASSY. 37200-374-671	001	\$190.65
04	RUBBER, SPEEDOMETER 37235-323-700	002	\$11.31
05	PLATE, SPEEDOMETER 37236-323-700	001	\$22.82
06	GROMMET, METER PLATE 37237-323-700	001	\$1.79
07	BOLT (6MM) 37238-323-700	004	\$1.50
08	TACHOMETER ASSY. 37240-323-773	001	\$123.04
08	TACHOMETER ASSY. 37240-323-774	001	\$127.71
09	COLLAR 37243-323-700	004	\$2.94
10	RUB, METER SETTING 37244-307-670	004	\$1.50
11	PLATE, TACHOMETER 37246-323-700	001	\$23.40
12	CABLE, TACHOMETER 37260-449-840	001	\$15.28
12	CABLE, TACHOMETER 37260-449-840	001	\$15.28
13	CABLE, TACHOMETER 37260-449-840	001	\$15.28
13	CABLE, TACHOMETER 37260-449-840	001	\$15.28
13	CABLE, TACHOMETER 37260-449-840	001	\$15.28
14	CABLE, SPEEDOMETER 44830-425-870	001	\$14.85
14	CABLE, SPEEDOMETER 44830-425-870	001	\$14.85
14	CABLE, SPEEDOMETER 44830-425-870	001	\$14.85
15	CABLE, SPEEDOMETER 44830-425-870	001	\$14.85
15	CABLE, SPEEDOMETER 44830-425-870	001	\$14.85
15	CABLE, SPEEDOMETER 44830-425-870	001	\$14.85
15	CABLE, SPEEDOMETER 44830-425-870	001	\$14.85
15	CABLE, SPEEDOMETER 44830-425-870	001	\$14.85
15	CABLE, SPEEDOMETER 44830-425-870	001	\$14.85
15	CABLE, SPEEDOMETER 44830-425-870	001	\$14.85
15	CABLE, SPEEDOMETER 44830-425-870	001	\$14.85
15	CABLE, SPEEDOMETER 44830-425-870	001	\$14.85
15	CABLE, SPEEDOMETER 44830-425-870	001	\$14.85
15	CABLE, SPEEDOMETER 44830-425-870	001	\$14.85
15	CABLE, SPEEDOMETER 44830-425-870	001	\$14.85
15	CABLE, SPEEDOMETER 44830-425-870	001	\$14.85
15	CABLE, SPEEDOMETER 44830-425-870	001	\$14.85
15	CABLE, SPEEDOMETER 44830-425-870	001	\$14.85
15	CABLE, SPEEDOMETER 44830-425-870	001	\$14.85
15	CABLE, SPEEDOMETER 44830-425-870	001	\$14.85
15	CABLE, SPEEDOMETER 44830-425-870	001	\$14.85
15	CABLE, SPEEDOMETER 44830-425-870	001	\$14.85
15	CABLE, SPEEDOMETER 44830-425-870	001	\$14.85
15	CABLE, SPEEDOMETER 44830-425-870	001	\$14.85
15	CABLE, SPEEDOMETER 44830-425-870	001	\$14.85
15	CABLE, SPEEDOMETER 44830-425-870	001	\$14.85
15	CABLE, SPEEDOMETER 44830-425-870	001	\$14.85
15	CABLE, SPEEDOMETER 44830-425-870	001	\$14.85
15	CABLE, SPEEDOMETER 44830-425-870	001	\$14.85
15	CABLE, SPEEDOMETER 44830-425-870	001	\$14.85
16	WASHER (6.5X18) 90545-323-700	004	\$1.50
17	NUT, HEX. (6MM) 94001-06070-0S	004	\$1.50
17	NUT, HEX. (6MM) 94001-06070-0S	004	\$1.50
18	NUT, HEX. (8MM) 94001-08070-0S	002	\$1.50
18	NUT, HEX. (8MM) 94001-08070-0S	002	\$1.50
19	NUT, CAP (6MM) 94021-06000	004	\$1.50
19	NUT, CAP (6MM) 94021-06020	004	\$1.50
19	NUT, CAP (6MM) 94021-06020	004	\$1.50
19	NUT, CAP (6MM) 94021-06020	004	\$1.50
19	NUT, CAP (6MM) 94021-06020	004	\$1.50
20	WASHER, PLAIN (6MM) 94101-06700	004	\$1.50
21	WASHER, FLAT (8MM) 94101-08700	002	\$1.50
22	WASHER, SPRING (6MM) 94111-06700	004	\$1.50
23	WASHER, SPRING (8MM) 94111-08700	002	\$1.50

[\(close window\)](#)

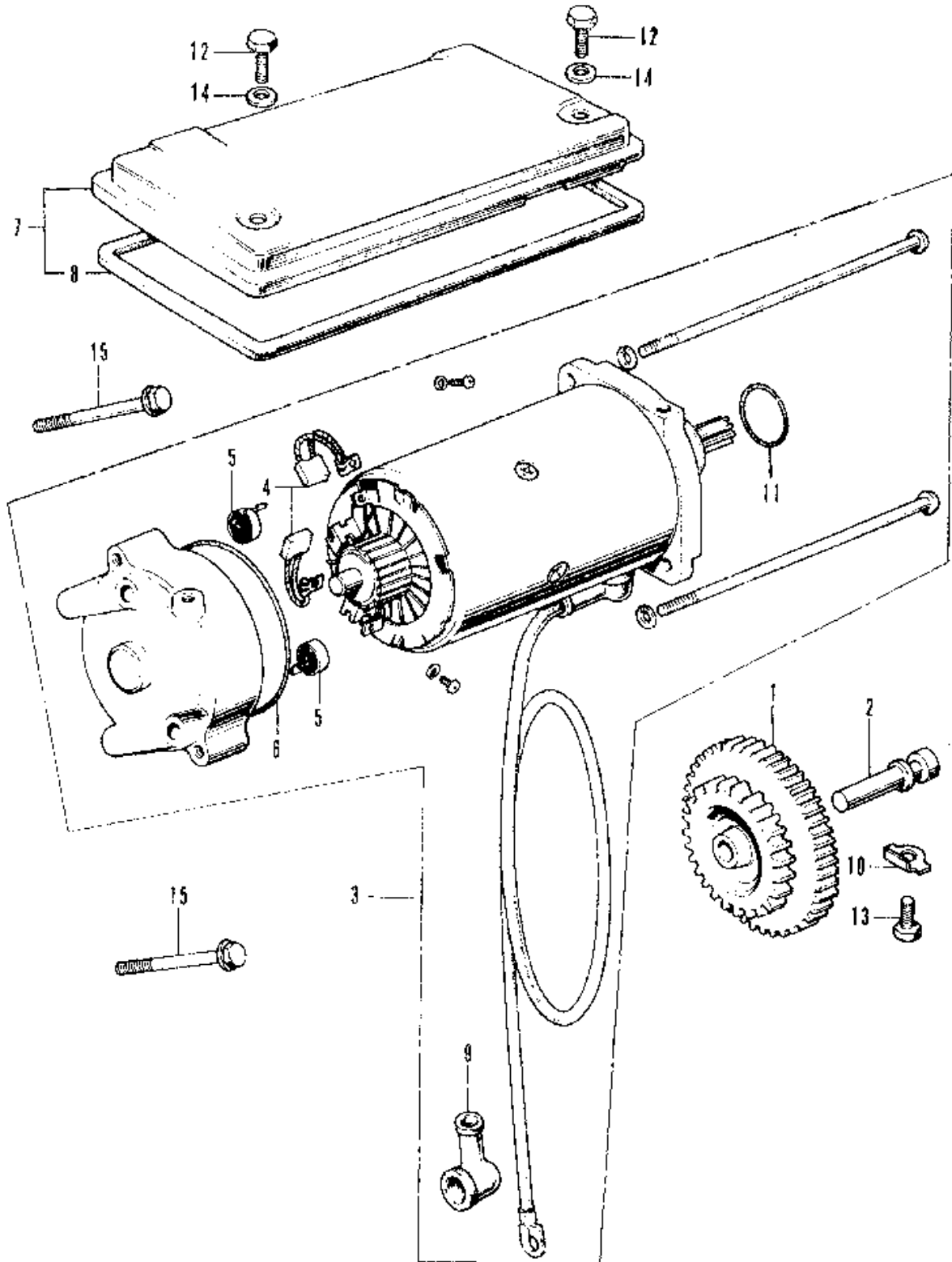
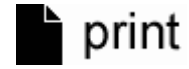
**JT Motorsports**  
105 W Parker Rd  
Jonesboro, AR 72404

**1973 HONDA**  
**CB500K2**

(close window)

**JT Motorsports**  
 105 W Parker Rd  
 Jonesboro, AR 72404  
 870-932-9001  
 www.crotchrocket.com

**1973 HONDA  
 CB500K2  
 STARTING MOTOR**  
 September 27, 2006



REF#	PART	#REQ	REMARKS	YOUR PRICE
01	GEAR 28101-323-000	001		\$61.57
02	SHAFT 28106-323-000	001		\$4.16
03	MOTOR ASSY., STARTER 31200-426-405	001		\$178.31
04	BRUSH SET, CARBON 31201-292-158	002		\$13.26
05	SPRING, CARBON BRUSH 31204-292-158	002		\$2.00

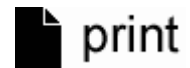
## Fiche Parts

06	O-RING (60X1.4) 31206-402-008	001	\$3.72
06	O-RING (60X1.4) 31206-402-008	001	\$3.72
07	COVER, STARTER MOTOR 31280-323-000	001	\$14.89
08	GSKT, START MTR CVR 31282-323-300	001	\$4.47
09	COVER 32411-230-000	002	\$4.62
09	COVER 32411-230-000	002	\$4.62
10	WASHER, SPRING (6MM) 90433-283-000	001	\$1.50
11	O-RING (24.4X3.1) 91312-MG7-003	001	\$3.62
11	O-RING (24.4X3.1) 91312-MG7-003	001	\$3.62
11	O-RING (24.4X3.1) 91312-MG7-003	001	\$3.62
12	BOLT, HEX. (6X12) 92101-06012-0B	002	\$1.50
12	BOLT, HEX. (6X12) 92101-06012-0B	002	\$1.50
13	BOLT, HEX. (6X12) 92101-06012-0A	001	\$1.50
13	BOLT, HEX. (6X12) 92101-06012-0A	001	\$1.50
13	BOLT, HEX. (6X12) 92101-06012-0A	001	\$1.50
14	WASHER, PLAIN (6MM) 94101-06200	002	\$1.50
15	BOLT, FLANGE (6X55) 95701-06055-00	002	\$1.50
15	BOLT, FLANGE (6X55) 95701-06055-00	002	\$1.50

[\(close window\)](#)

**JT Motorsports**  
**105 W Parker Rd**  
**Jonesboro, AR 72404**  
**870-932-9001**  
[www.crotchrocket.com](http://www.crotchrocket.com)

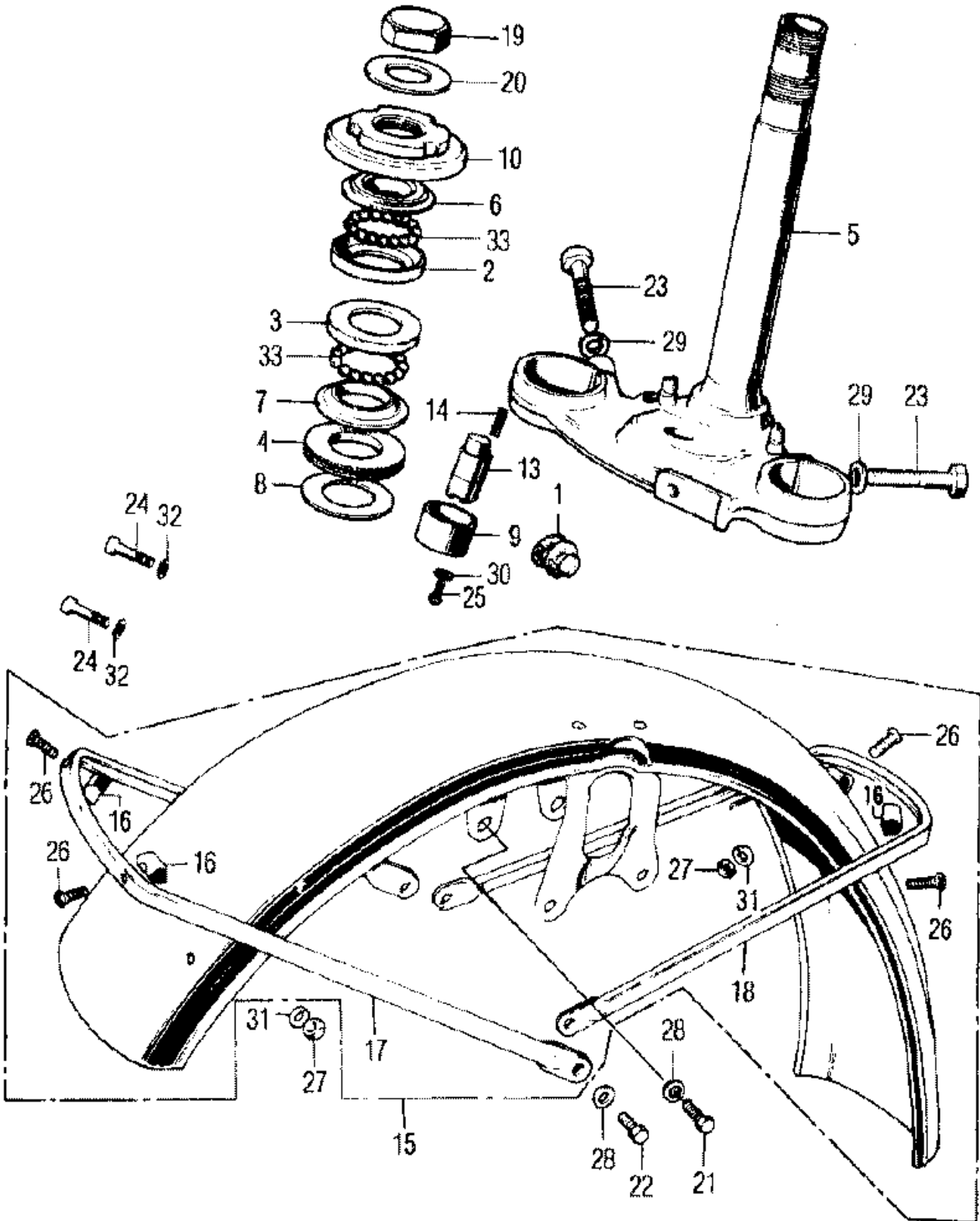
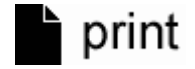
**1973 HONDA**  
**CB500K2**  
 September 27, 2006  
 (prices subject to change without notice)



(close window)

**JT Motorsports**  
 105 W Parker Rd  
 Jonesboro, AR 72404  
 870-932-9001  
 www.crotchrocket.com

**1973 HONDA  
 CB500K2  
 STEERING STEM @ FRONT FENDER**  
 September 27, 2006



REF#	PART	#REQ	REMARKS	YOUR PRICE
01	GROMMET, CABLE 45451-367-690	001		\$1.58
01	GROMMET, CABLE 45451-367-690	001		\$1.58
02	RACE, STEERING BALL 50301-268-010	001		\$10.52
02	RACE, STEERING BALL 50301-268-010	001		\$10.52
02	RACE, STEERING BALL 50301-268-010	001		\$10.52

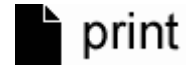
03	RACE, STEERING BALL 50302-268-010	001	\$10.04
03	RACE, STEERING BALL 50302-268-010	001	\$10.04
03	RACE, STEERING BALL 50302-268-010	001	\$10.04
04	DUST SEAL 53214-250-000	001	\$1.50
04	DUST SEAL 53214-250-000	001	\$1.50
05	STEM, STEERING *NH1* 53200-323-020B	001	\$135.23
06	RACE, STEERING CONE 53211-268-010	001	\$13.29
06	RACE, STEERING CONE 53211-268-010	001	\$13.29
06	RACE, STEERING CONE 53211-268-010	001	\$13.29
07	RACE, STEERING CONE 53212-250-010	001	\$10.32
07	RACE, STEERING CONE 53212-250-010	001	\$10.32
07	RACE, STEERING CONE 53212-250-010	001	\$10.32
08	WASHER 53215-250-000	001	\$1.50
09	COVER 53215-317-000	001	\$1.50
10	THREAD (UPPER) 53220-286-000	001	\$15.96
13	LOCK, HANDLEBAR 35010-230-010	001	\$75.60
13	LOCK, HANDLEBAR 35010-230-010	001	\$75.60
14	SPRING 53631-268-020	001	\$1.50
15	FENDER, FR. *MRCR2* 61100-323-030XW	001	\$153.60
16	PIECE, FENDER MOUNT 61102-300-000	004	\$3.03
17	STAY A, FR. FENDER 61111-323-000	001	\$35.64
18	BOLT, HEX. (6X16) 61112-323-000	001	\$34.34
19	NUT, STEERING STEM 95020-11300	001	\$11.07
19	NUT, STEERING STEM 90304-415-000	001	\$11.07
19	NUT, STEERING STEM 95020-11300	001	\$11.07
20	WASHER 90503-283-000	001	\$2.60
21	BOLT, HEX. (6X16) 92101-06016-0A	002	\$1.50
21	BOLT, HEX. (6X16) 92101-06016-0A	002	\$1.50
21	BOLT, HEX. (6X16) 92101-06016-0A	002	\$1.50
21	BOLT, HEX. (6X16) 92101-06016-0A	002	\$1.50
21	BOLT, HEX. (6X16) 92101-06016-0A	002	\$1.50
21	BOLT, HEX. (6X16) 92101-06016-0A	002	\$1.50
22	BOLT, HEX. (6X20) 92101-06020-0A	004	\$1.50
22	BOLT, HEX. (6X20) 92101-06020-0A	004	\$1.50
23	BOLT, HEX. (10X35) 92101-10035-0A	002	\$1.50
23	BOLT, HEX. (10X35) 92101-10035-0A	002	\$1.50
24	BOLT, HEX. (6X25) 92201-06025-0A	002	\$1.50
24	BOLT, HEX. (6X25) 92201-06025-0A	002	\$1.50
24	BOLT, HEX. (6X25) 92201-06025-0A	002	\$1.50
25	SCREW, PAN (3X8) 93500-03008-0A	001	\$1.50
26	SCREW, OVAL (5X20) 93700-05020-0B	004	\$1.50
26	SCREW, OVAL (5X20) 93700-05020-0B	004	\$1.50
27	NUT, HEX. (5MM) 94001-05000-0S	004	\$1.50
27	NUT, HEX. (5MM) 94001-05000-0S	004	\$1.50
28	WASHER, PLAIN (6MM) 94101-06800	006	\$1.50
28	WASHER, PLAIN (6MM) 94101-06800	006	\$1.50
28	WASHER, PLAIN (6MM) 94101-06800	006	\$1.50
29	WASHER, PLAIN (10MM) 94102-10000	002	\$1.50

30	WASHER, PLAIN (3MM) 94101-03000	001	\$1.50
31	WASHER, SPRING (5MM) 94111-05000	004	\$1.50
32	WASHER, SPRING (6MM) 94111-06000	002	\$1.50
33	BALL (#8) (1/4) 96211-08000	037	\$1.50

[\(close window\)](#)

**JT Motorsports**  
105 W Parker Rd  
Jonesboro, AR 72404  
870-932-9001  
www.crotchrocket.com

**1973 HONDA  
CB500K2**  
September 27, 2006  
(prices subject to change without notice)

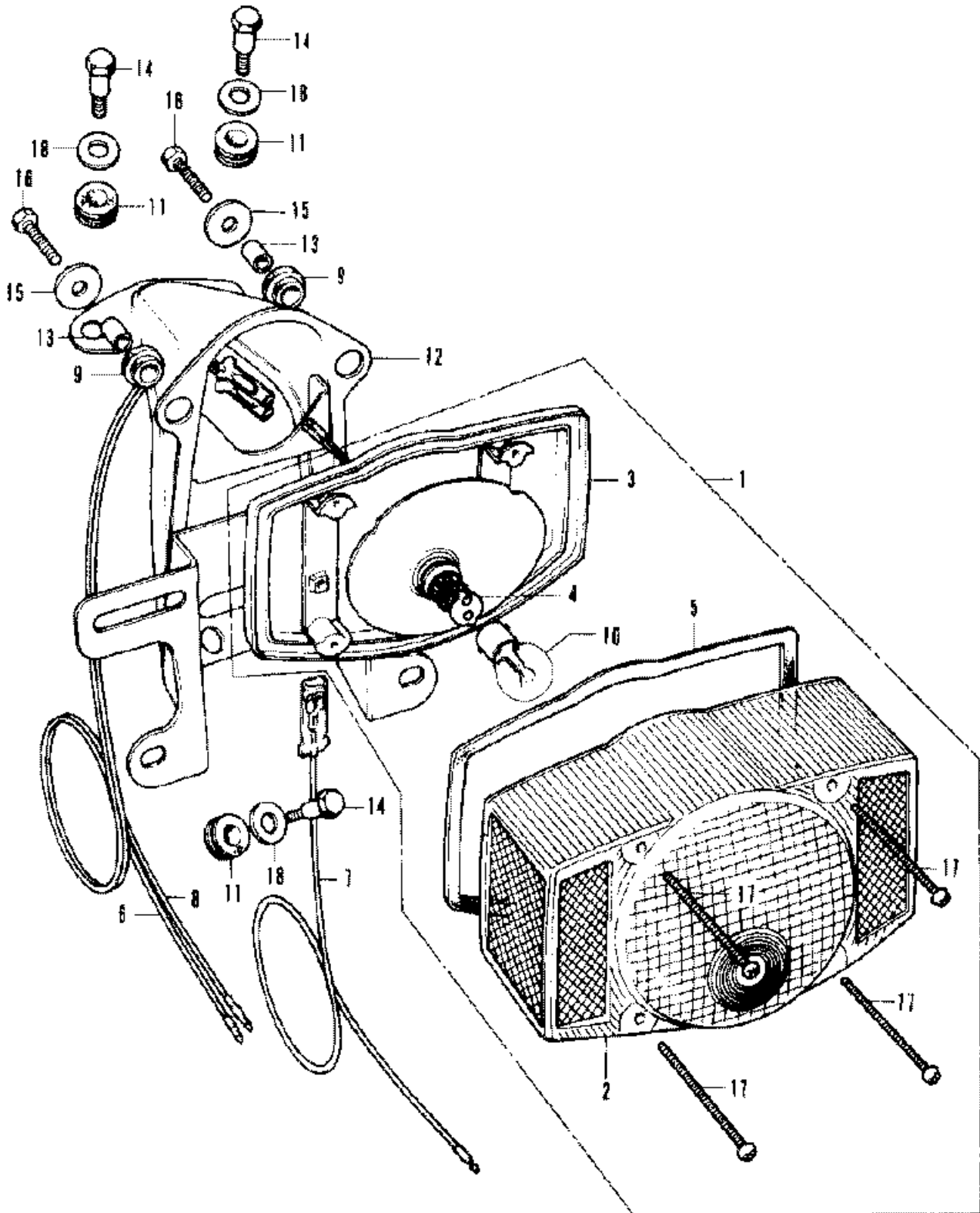
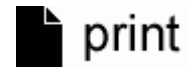




(close window)

**JT Motorsports**  
 105 W Parker Rd  
 Jonesboro, AR 72404  
 870-932-9001  
 www.crotchrocket.com

**1973 HONDA  
 CB500K2  
 TAILLIGHT K1-K2**  
 September 27, 2006



REF#	PART	#REQ	REMARKS	YOUR PRICE
01	TAILLIGHT UNIT 33701-341-671	001		\$68.84
02	LENS, TAILLIGHT 33702-341-671	001		\$33.77
03	BASE, TAILLIGHT 33703-341-671	001		\$30.11
04	WIRE, TAILLIGHT 33708-098-000	001		\$5.54
04	WIRE, TAILLIGHT 33708-098-000	001		\$5.54

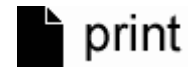
## Fiche Parts

05	GSKT, TAILLIGHT LENS 33709-341-671	001	\$2.94
06	CABLE, TAILLIGHT SUB 33711-323-000	001	\$2.52
07	CABLE 33712-300-003	001	\$5.19
08	CABLE 33713-323-000	001	\$2.06
09	GASKET B 33719-077-671	002	\$1.50
10	BULB (12V27/7W) 34906-MG9-771	001	\$2.06
10	BULB (12V27/7W) 34906-MG9-771	001	\$2.06
11	RUBBER, RR. 80101-283-000	004	\$2.57
12	BRACKET *MRCR2* 84701-341-670XW	001	\$70.44
14	BOLT 90162-283-000	004	\$2.34
14	BOLT 90162-283-000	004	\$2.34
15	WASHER (20MM) 90581-310-000	002	\$1.50
16	BOLT, HEX. (5X20) 92101-05020-0B	002	\$1.50
16	BOLT, HEX. (5X20) 92101-05020-0B	002	\$1.50
17	SCREW, PAN (4X55) 93500-04055-4J	004	\$1.50
18	WASHER, PLAIN (8MM) 94101-08200	004	\$1.50

[\(close window\)](#)

**JT Motorsports**  
**105 W Parker Rd**  
**Jonesboro, AR 72404**  
**870-932-9001**  
[www.crotchrocket.com](http://www.crotchrocket.com)

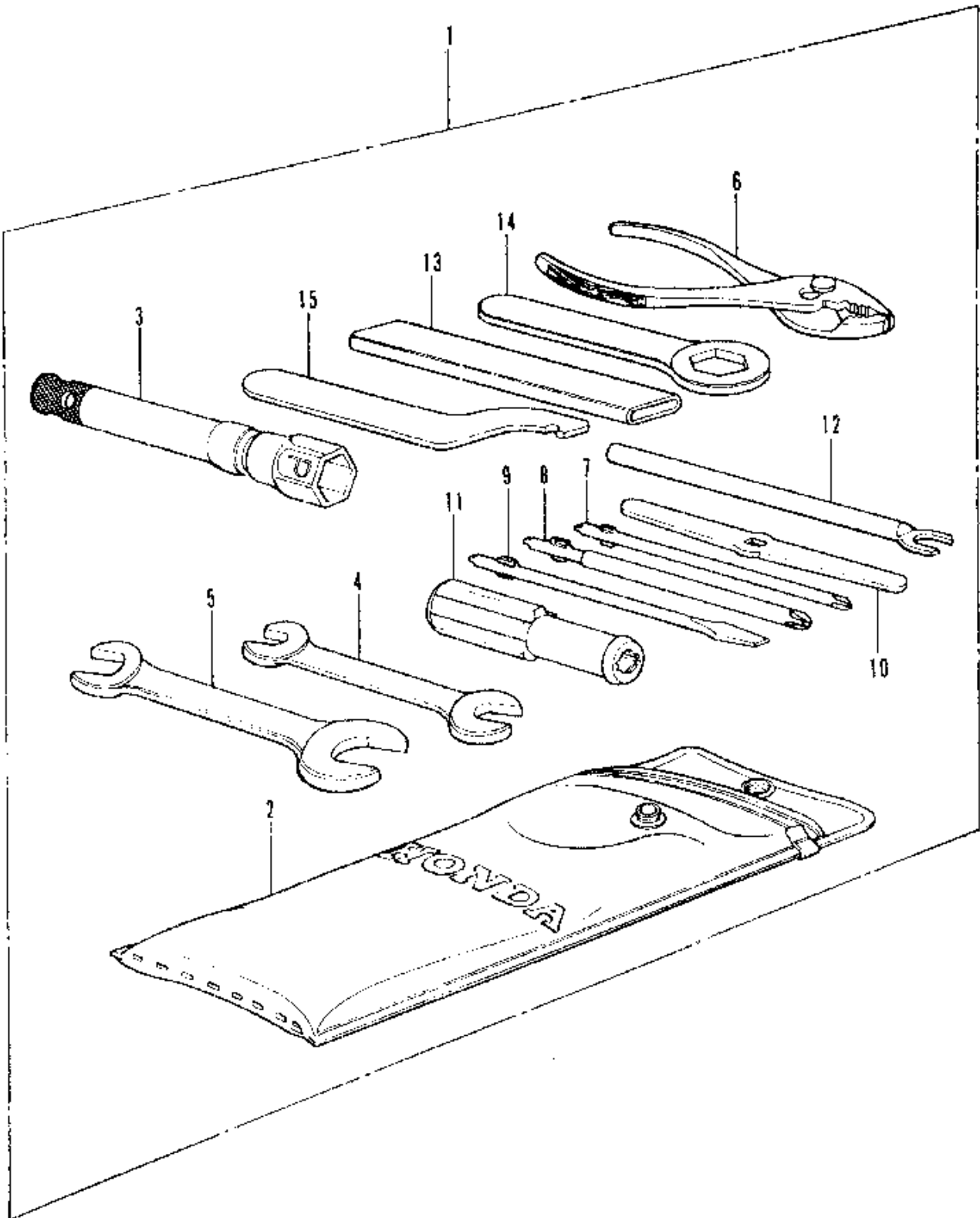
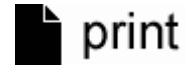
**1973 HONDA**  
**CB500K2**  
 September 27, 2006  
 (prices subject to change without notice)



(close window)

**JT Motorsports**  
 105 W Parker Rd  
 Jonesboro, AR 72404  
 870-932-9001  
 www.crotchrocket.com

**1973 HONDA**  
**CB500K2**  
**TOOL 2**  
 September 27, 2006



REF#	PART	#REQ	REMARKS	YOUR PRICE
01	TOOL SET 89010-390-000	001		\$15.20
01	TOOL SET 89010-390-000	001		\$15.20
02	BAG, TOOL 89101-ME5-670	001		\$3.75
02	BAG, TOOL 89101-ME5-670	001		\$3.75
02	BAG, TOOL 89101-ME5-670	001		\$3.75

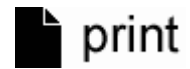
## Fiche Parts

03	WRENCH, SPARK PLUG 89216-323-000	001	\$5.55
04	WRENCH (10X12) 99001-10120	001	\$1.50
05	WRENCH (14X17) 99001-14170	001	\$2.42
06	PLIERS (135MM) 99002-13500	001	\$3.41
07	SCREWDRIVER 1 (NO.2) 99003-10000	001	\$1.50
08	SCREWDRIVER 2 (NO.3) 99003-20000	001	\$1.50
09	SCREWDRIVER 3 (NO.2) 99003-30000	001	\$1.50
10	LEVER, TIRE 99003-40000	001	\$1.50
11	GRIP 99003-50000	001	\$1.50
12	BAR B, HANDLE 99005-02000	001	\$1.55
13	HANDLE (120MM) 99006-12000	001	\$2.12
14	WRENCH, EYE (26MM) 99006-26000	001	\$3.30
15	WRENCH, PIN (45MM) 99007-45000	001	\$2.12

[\(close window\)](#)

**JT Motorsports**  
**105 W Parker Rd**  
**Jonesboro, AR 72404**  
**870-932-9001**  
[www.crotchrocket.com](http://www.crotchrocket.com)

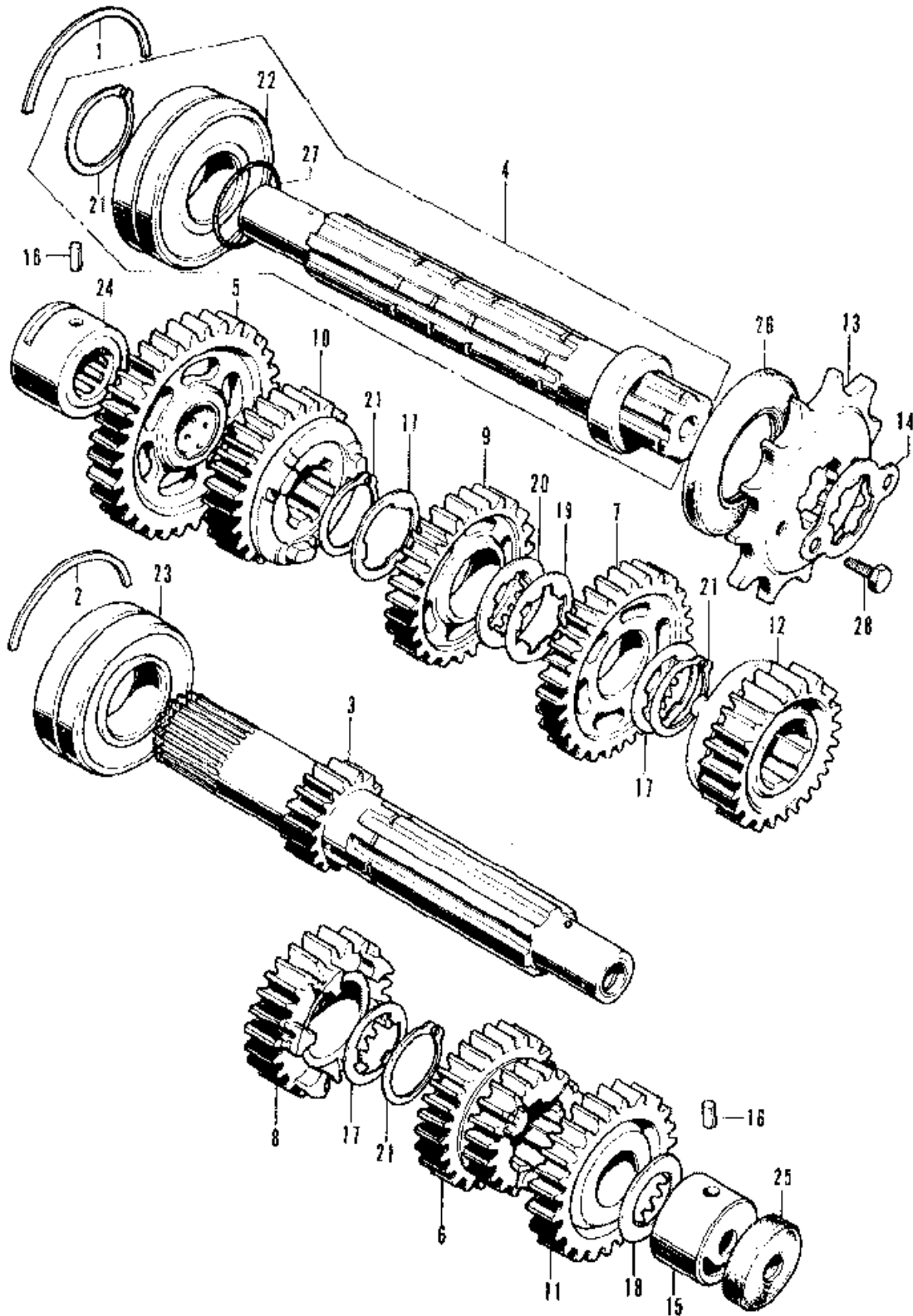
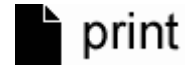
**1973 HONDA**  
**CB500K2**  
 September 27, 2006  
 (prices subject to change without notice)



[\(close window\)](#)

**JT Motorsports**  
 105 W Parker Rd  
 Jonesboro, AR 72404  
 870-932-9001  
 www.crotchrocket.com

**1973 HONDA  
 CB500K2  
 TRANSMISSION**  
 September 27, 2006



REF#	PART	#REQ	REMARKS	YOUR PRICE
01	RING (57MM) 13491-283-000	001		\$1.94
02	SET-RING (520) 95015-25200	001		\$1.50
02	SET-RING (520) 95015-25200	001		\$1.50
03	MAINSHAFT, TRANS 23210-323-000	001		\$69.88
04	COUNTERSHAFT, TRANS 23220-323-000	001		\$114.30

05	GEAR 23420-323-010	001	\$84.81
06	GEAR (22T, 26T) 23431-323-000	001	\$78.32
07	GEAR (36T) 23441-286-020	001	\$77.64
08	GEAR (28T) 23451-323-000	001	\$63.38
09	GEAR (33T) 23461-286-030	001	\$135.24
09	GEAR (33T) 234A1-390-315	001	\$135.24
09	GEAR (33T) 234A1-390-315	001	\$135.24
09	GEAR (33T) 234A1-390-315	001	\$135.24
10	GEAR (33T) 234A1-390-315	001	\$135.24
10	GEAR (33T) 234A1-390-315	001	\$135.24
10	GEAR (33T) 234A1-390-315	001	\$135.24
11	GEAR (30T) 23481-323-000	001	\$63.38
12	GEAR (27T) 23491-286-030	001	\$61.57
12	GEAR (27T) 23491-374-000	001	\$61.57
13	SPROCKET (17T) 23801-300-010	001	\$34.08
14	PLATE 23811-292-000	001	\$1.50
15	BEARING (20MM) 23931-323-004	001	\$30.25
16	PIN 24261-283-000	002	\$2.43
17	WASHER A (25MM) 90451-286-000	003	\$1.64
18	WASHER (20MM) 90458-292-000	002	\$1.67
19	WASHER B (25MM) 90461-286-000	001	\$1.92
20	WASHER, LOCK (25MM) 90462-323-000	001	\$2.00
21	CIRCLIP (25MM) 90602-259-010	004	\$3.56
22	BEARING (5205) 91002-283-000	001	\$52.31
22	BEARING (5205) 91002-283-000	001	\$52.31
23	BEARING (5205HS) 91002-286-008	001	\$33.82
24	BEARING (20MM) 91022-286-004	001	\$16.12
24	BEARING (20MM) 91022-286-004	001	\$16.12
25	OIL SEAL (8X34X8) 91203-292-005	001	\$7.07
25	OIL SEAL (8X34X8) 91203-292-005	001	\$7.07
26	OIL SEAL (33X57X7) 91205-283-015	001	\$5.85
26	OIL SEAL (33X57X7) 91205-283-015	001	\$5.85
27	O-RING (24.5X1.5) 91306-703-000	001	\$2.07
28	BOLT, HEX. (6X12) 92101-06012-0A	002	\$1.50
28	BOLT, HEX. (6X12) 92101-06012-0A	002	\$1.50
28	BOLT, HEX. (6X12) 92101-06012-0A	002	\$1.50

[\(close window\)](#)

**JT Motorsports**  
**105 W Parker Rd**  
**Jonesboro, AR 72404**  
**870-932-9001**  
[www.crotchrocket.com](http://www.crotchrocket.com)

**1973 HONDA**  
**CB500K2**  
 September 27, 2006  
 (prices subject to change without notice)

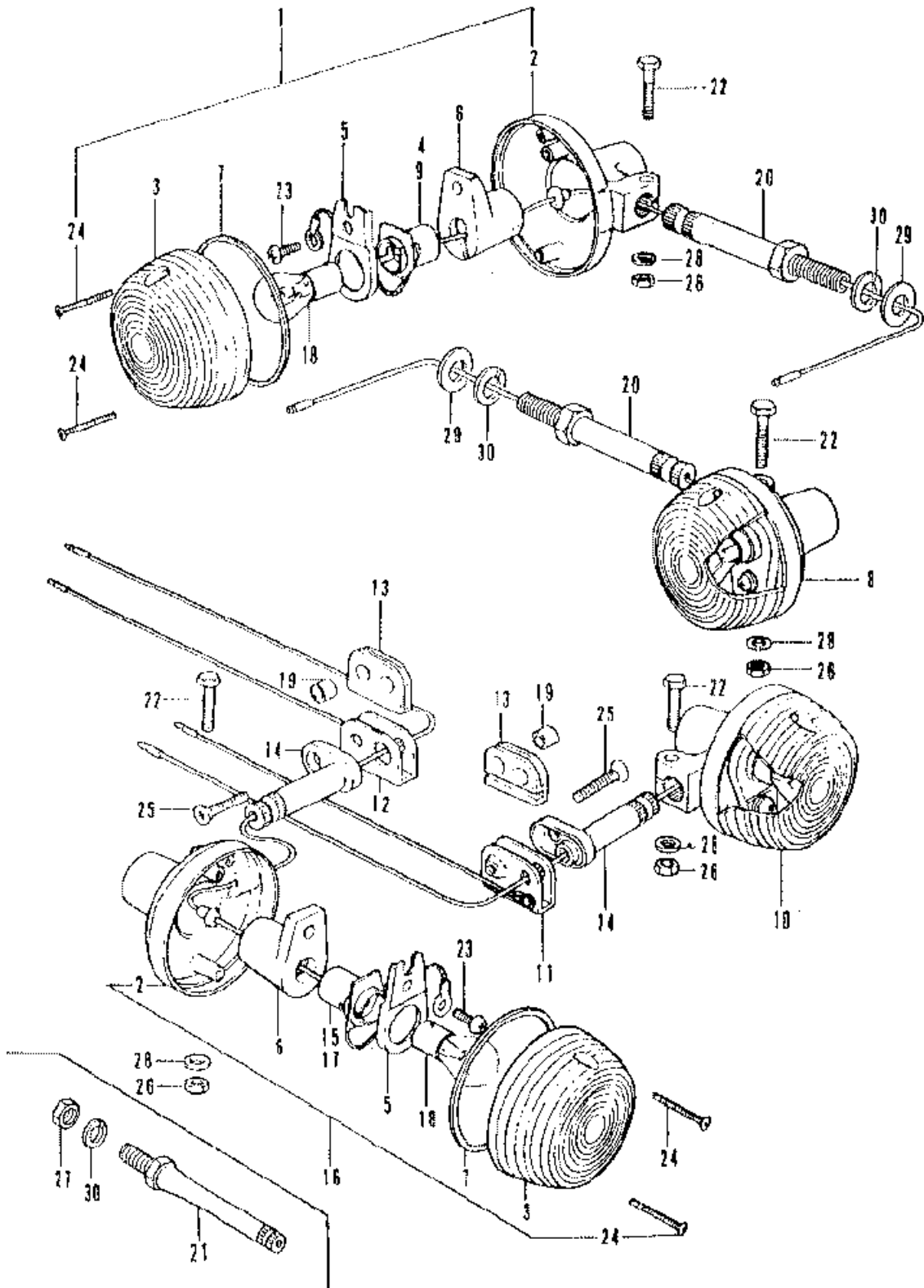
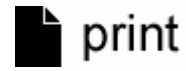


print

(close window)

**JT Motorsports**  
 105 W Parker Rd  
 Jonesboro, AR 72404  
 870-932-9001  
 www.crotchrocket.com

**1973 HONDA  
 CB500K2  
 TURN SIGNAL**  
 September 27, 2006



REF#	PART	#REQ	REMARKS	YOUR PRICE
01	TURN SIGNAL, R. FR. 33400-323-700	001		\$22.30
01	TURN SIGNAL, R. FR. 33400-323-709	001		\$22.30
01	TURN SIGNAL, R. FR. 33400-323-709	001		\$22.30
02	BASE, TURN SIGNAL 33401-341-701	004		\$19.73
02	BASE, TURN SIGNAL 33401-341-701	004		\$19.73

03	LENS, FR. 33402-268-672	004	\$4.49
03	LENS, FR. 33402-268-672	004	\$4.49
04	SOCKET, R. FR. 33402-323-700	001	\$7.91
05	HOLDER, FR. 33407-284-003	004	\$2.52
05	HOLDER, FR. 33407-284-003	004	\$2.52
06	RUBBER 33408-341-701	004	\$3.98
06	RUBBER 33408-341-701	004	\$3.98
07	GASKET 33443-268-671	004	\$1.50
08	TURN SIGNAL, R. FR. 33400-323-709	001	\$22.30
08	TURN SIGNAL, R. FR. 33400-323-709	001	\$22.30
09	SOCKET, L. 33453-323-700	001	\$7.91
10	TURN SIGNAL, R. RR. 33600-306-679	001	\$25.28
10	TURN SIGNAL, R. RR. 33600-306-679	001	\$25.28
10	TURN SIGNAL, R. RR. 33600-306-679	001	\$25.28
10	TURN SIGNAL, R. RR. 33600-306-679	001	\$25.28
10	TURN SIGNAL, R. RR. 33600-306-679	001	\$25.28
11	STOPPER, R. RR. 33604-323-670	001	\$8.04
12	STOPPER, L. RR. 33605-323-670	001	\$5.73
13	RUBBER, RR. 33606-074-010	002	\$2.72
14	STAY, R. RR. 33607-323-670	002	\$24.37
15	SOCKET, R. RR. 33610-300-000	001	\$7.91
16	TURN SIGNAL, R. RR. 33600-306-679	001	\$25.28
16	TURN SIGNAL, L. FR. 33650-300-000	001	\$25.28
17	SOCKET, L. RR. 33660-300-000	001	\$7.91
18	BULB (12V23W32CP) 34905-268-671	004	\$1.50
19	COLLAR A, RR. FENDER 80108-061-000	002	\$2.39
19	COLLAR A, RR. FENDER 80108-061-010	002	\$2.39
21	BOLT, FR. 90154-455-670	002	\$12.39
22	BOLT, HEX. (6X28) 93101-06028-0B	004	\$1.50
22	BOLT, HEX. (6X28) 93101-06028-0B	004	\$1.50
22	BOLT, HEX. (6X28) 93101-06028-0B	004	\$1.50
22	BOLT, HEX. (6X28) 93101-06028-0B	004	\$1.50
23	SCREW, PAN (5X8) 93500-05008-0A	004	\$1.50
24	SCREW, OVAL (3X25) 93700-03025-3B	008	\$1.50
25	SCREW, OVAL (6X25) 93700-06025-0B	002	\$1.50
25	SCREW, OVAL (6X25) 93700-06025-0B	002	\$1.50
26	NUT, HEX. (6MM) 94001-06200-0S	004	\$1.50
26	NUT, HEX. (6MM) 94001-06200-0S	004	\$1.50
26	NUT, HEX. (6MM) 94001-06200-0S	004	\$1.50
26	NUT, HEX. (6MM) 94001-06200-0S	004	\$1.50
26	NUT, HEX. (6MM) 94001-06200-0S	004	\$1.50
26	NUT, HEX. (6MM) 94001-06200-0S	004	\$1.50
26	NUT, HEX. (6MM) 94001-06200-0S	004	\$1.50
26	NUT, HEX. (6MM) 94001-06200-0S	004	\$1.50
26	NUT, HEX. (6MM) 94001-06200-0S	004	\$1.50
27	NUT, HEX. (10MM) 94001-10000-0S	002	\$1.50
28	WASHER, PLAIN (6MM) 94101-06800	004	\$1.50
28	WASHER, PLAIN (6MM) 94101-06800	004	\$1.50
28	WASHER, PLAIN (6MM) 94101-06800	004	\$1.50
30	WASHER, SPRING (8MM) 94111-10000	002	\$1.50

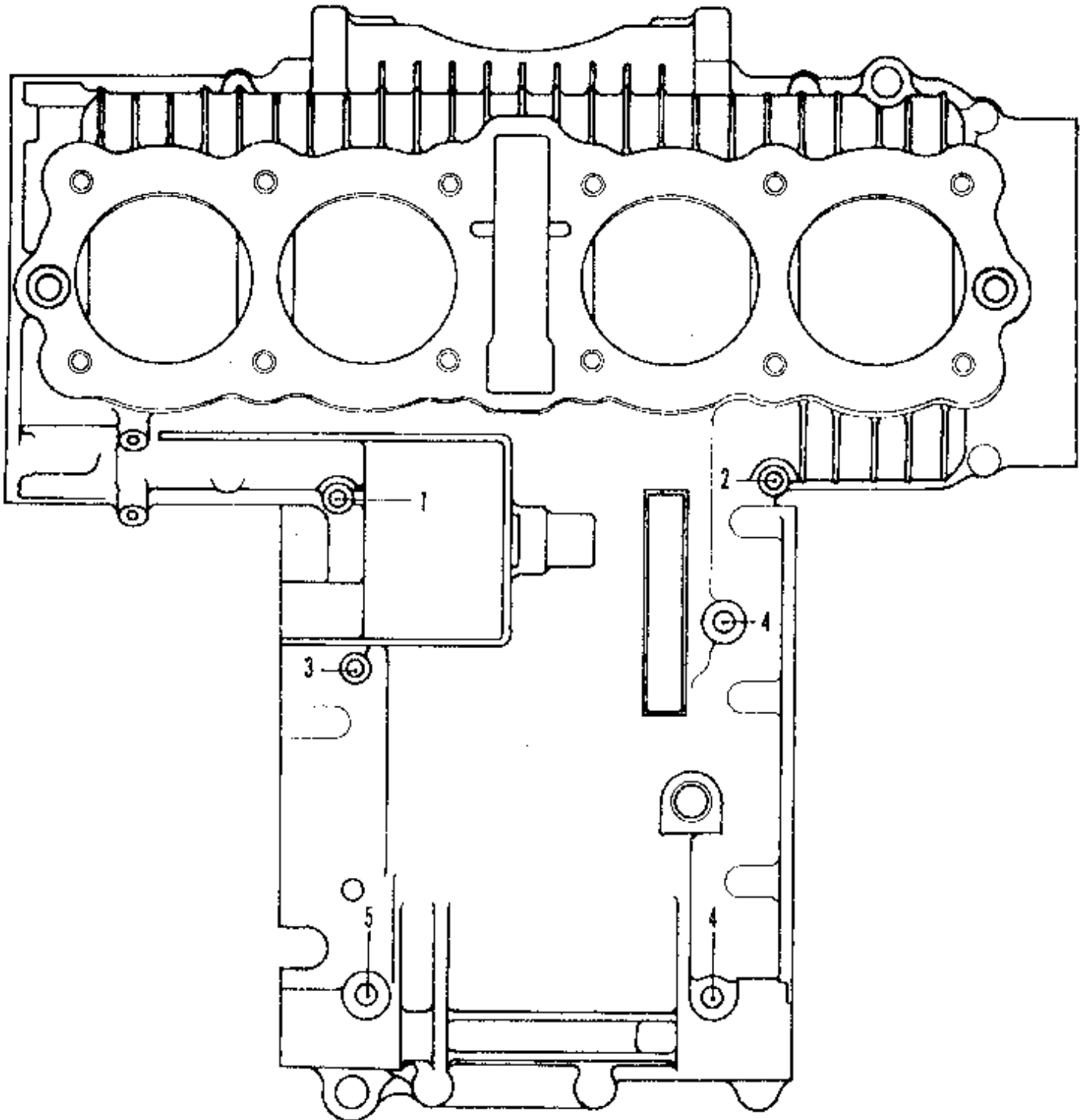
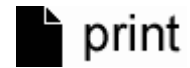


[\(close window\)](#)

**JT Motorsports**  
 105 W Parker Rd  
 Jonesboro, AR 72404  
 870-932-9001  
 www.crotchrocket.com

**1973 HONDA  
 CB500K2  
 UPPER CASE (BOLT)**

September 27, 2006



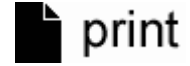
REF#	PART	#REQ	REMARKS	YOUR PRICE
01	BOLT, FLANGE (6X32) 95701-06032-00	001		\$1.50
01	BOLT, FLANGE (6X32) 95701-06032-00	001		\$1.50
02	BOLT, FLANGE (6X50) 95701-06050-00	001		\$1.50
02	BOLT, FLANGE (6X50) 95701-06050-00	001		\$1.50
03	95701-06500-00 95701-06100-00	001		\$1.68
03	BOLT, FLANGE (6X100) 95701-06100-00	001		\$1.50
03	95701-06500-00 95701-06100-00	001		\$1.68

03	BOLT, FLANGE (6X100) 95701-06100-00	001	\$1.50
03	BOLT, FLANGE (6X100) 95701-06100-00	001	\$1.50
03	NUT, FLANGE 95780-06500-00	001	\$1.50
04	95701-08500-00 95701-08100-00	002	\$1.68
04	BOLT, FLANGE (8X100) 95701-08100-00	002	\$1.50
04	NUT, SPEC'L SHAPE 90179-08491-00	002	\$1.50
04	BOLT, FLANGE (8X100) 95701-08100-00	002	\$1.50
05	BOLT, FLANGE (8X145) 90011-323-000	001	\$3.39

[\(close window\)](#)

**JT Motorsports**  
105 W Parker Rd  
Jonesboro, AR 72404  
870-932-9001  
www.crotchrocket.com

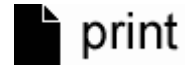
**1973 HONDA  
CB500K2**  
September 27, 2006  
(prices subject to change without notice)



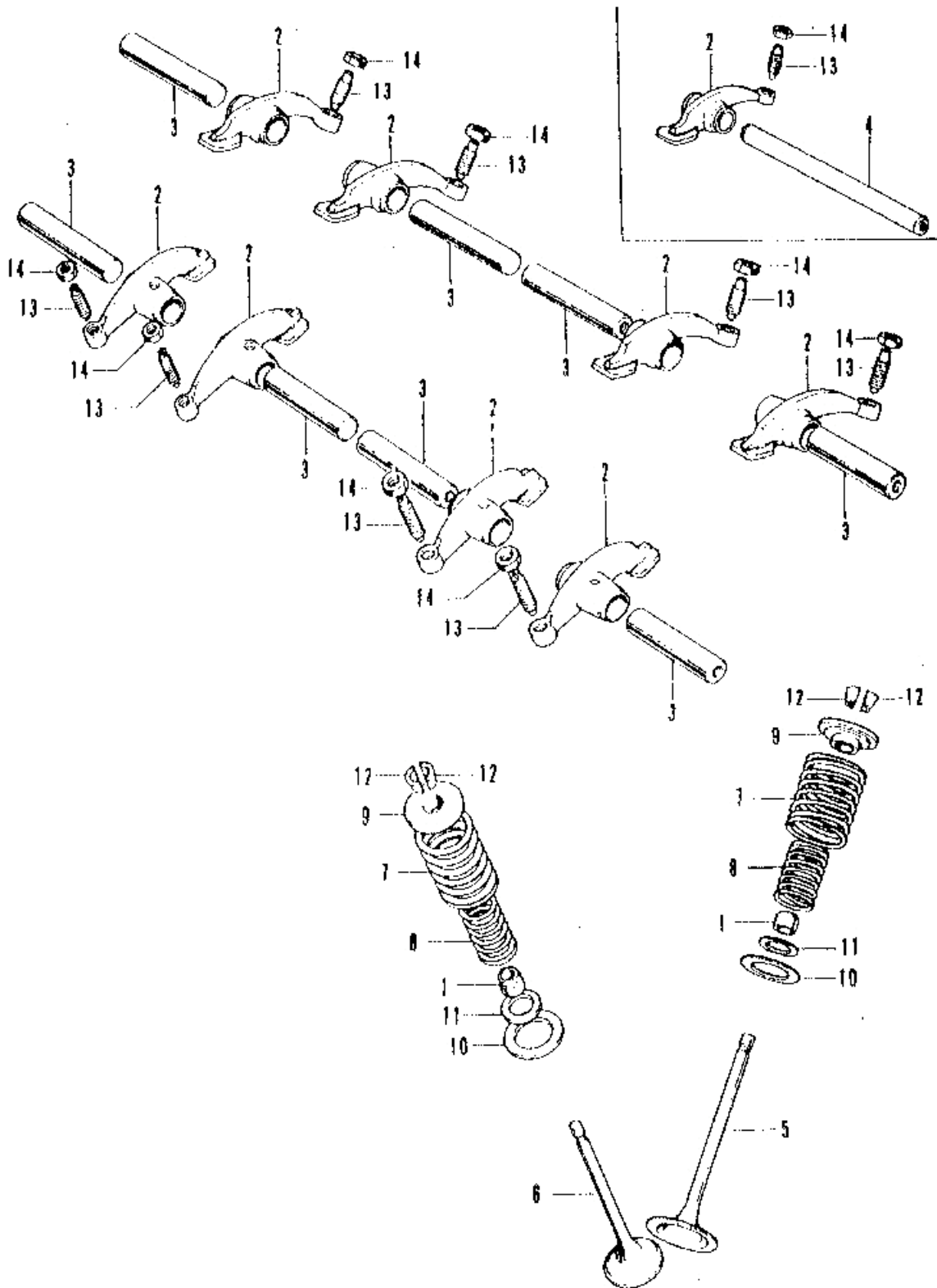
(close window)

**JT Motorsports**  
 105 W Parker Rd  
 Jonesboro, AR 72404  
 870-932-9001  
 www.crotchrocket.com

**1973 HONDA  
 CB500K2  
 VALVE @ ROCKER ARM**



September 27, 2006



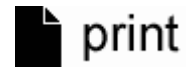
REF#	PART	#REQ	REMARKS	YOUR PRICE
01	SEAL, VALVE STEM 12209-333-005	008		\$5.42
01	SEAL, VALVE STEM 12209-333-005	008		\$5.42
02	ARM, VALVE ROCKER 14431-324-000	008		\$35.30
03	SHAFT 14451-323-010	008		\$4.95
04	SHAFT 14451-323-305	004		\$12.66

05	VALVE, IN. 14711-107-020	004	\$27.11
06	VALVE, EX. 14721-323-005	004	\$42.86
07	SPRING, VALVE 14751-107-010	008	\$5.97
07	SPRING, VALVE 14751-324-000	008	\$5.97
08	SPRING, VALVE 14761-324-000	008	\$3.54
08	SPRING, VALVE 14761-324-000	008	\$3.54
09	RETAINER, VLV SPR 14771-107-020	008	\$4.64
10	SEAT, VALVE SPRING 14775-107-000	008	\$2.24
11	SEAT, VALVE SPRING 14776-107-010	008	\$1.50
12	COTTER, VALVE 14781-107-003	016	\$1.61
12	COTTER, VALVE 14781-107-003	016	\$1.61
13	SCREW, TAPPET ADJ. 90012-300-000	008	\$3.29
13	SCREW, TAPPET ADJ. 90012-426-000	008	\$3.29
14	NUT, TAPPET ADJ. 90206-250-000	008	\$1.50

[\(close window\)](#)

**JT Motorsports**  
**105 W Parker Rd**  
**Jonesboro, AR 72404**  
**870-932-9001**  
[www.crotchrocket.com](http://www.crotchrocket.com)

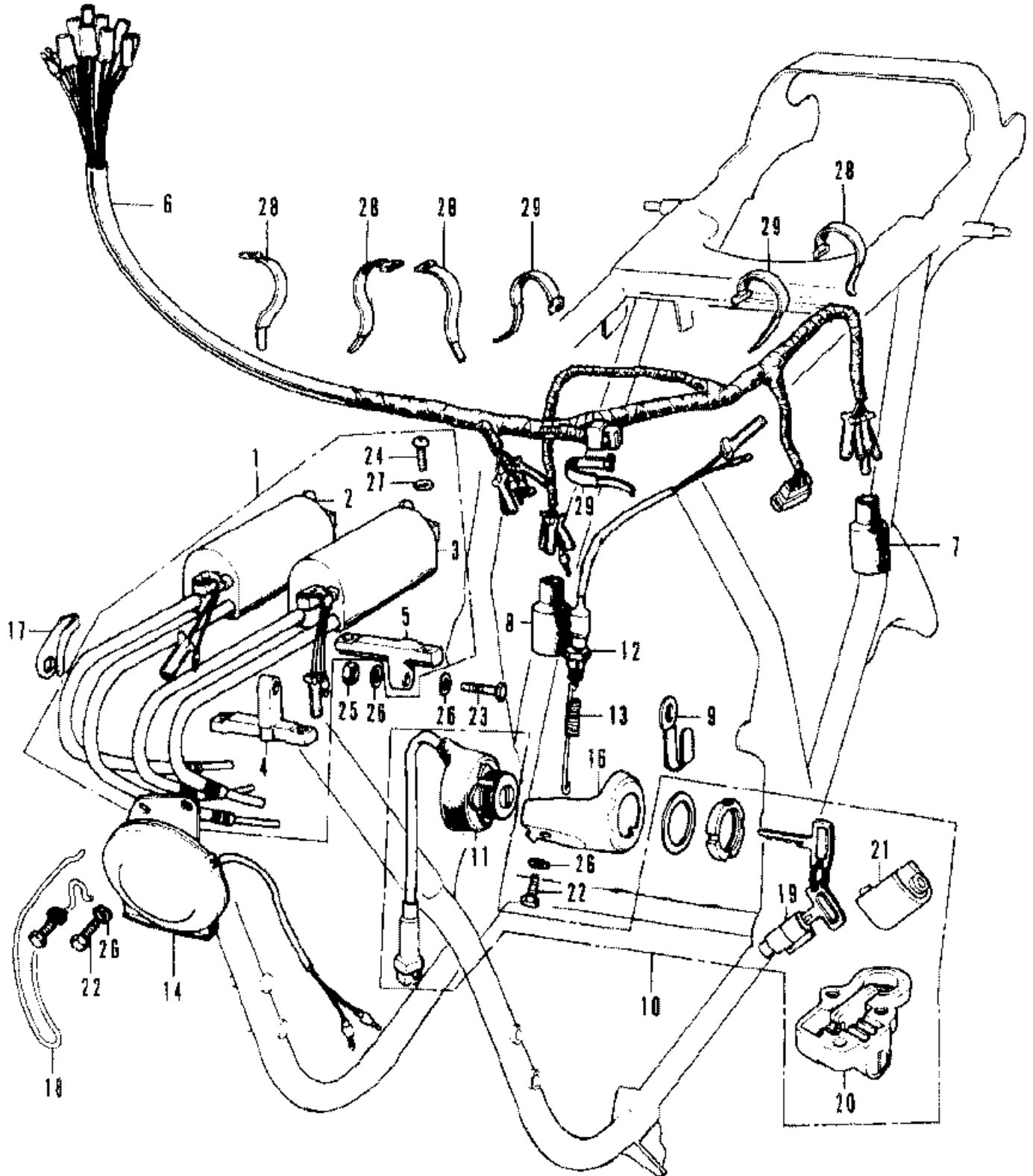
**1973 HONDA**  
**CB500K2**  
 September 27, 2006  
 (prices subject to change without notice)



(close window)

**JT Motorsports**  
 105 W Parker Rd  
 Jonesboro, AR 72404  
 870-932-9001  
 www.crotchrocket.com

**1973 HONDA  
 CB500K2  
 WIRE HARNESS**  
 September 27, 2006



REF#	PART	#REQ	REMARKS	YOUR PRICE
01	COIL ASSY., IGNITION 30500-404-000	001		\$90.48
02	COIL, R. IGNITION 30501-323-003	001		\$61.72
03	COIL, L. IGNITION 30502-323-003	001		\$43.14
04	BRKT, IGNITION COIL 30511-300-000	001		\$6.68
05	BRACKET B 30512-323-000	001		\$6.69

06	WIRE HARNESS 32100-323-040	001	\$47.11
07	COVER 32108-046-750	001	\$2.42
08	COVER 32108-323-300	001	\$2.58
09	CLIP, WIRE HARNESS 32171-323-000	001	\$4.04
10	SWITCH KIT, MAIN 35010-374-671	001	\$78.03
10	SWITCH KIT, MAIN 35010-374-671	001	\$78.03
10	SWITCH KIT, MAIN 35010-374-671	001	\$78.03
10	SWITCH KIT, MAIN 35010-374-671	001	\$78.03
10	SWITCH KIT, MAIN 35010-374-671	001	\$78.03
10	SWITCH KIT, MAIN 35010-374-671	001	\$78.03
10	SWITCH KIT, MAIN 35010-374-671	001	\$78.03
11	SWITCH, COMBINATION 35100-374-007	001	\$51.22
11	SWITCH, COMBINATION 35100-374-007	001	\$51.22
11	SWITCH, COMBINATION 35100-374-007	001	\$51.22
11	SWITCH, COMBINATION 35100-374-007	001	\$51.22
12	SWITCH, RR. STOP 35350-KJ9-405	001	\$8.60
12	SWITCH, RR. STOP 35350-KJ9-405	001	\$8.60
12	SWITCH, RR. STOP 35350-KJ9-405	001	\$8.60
13	SPRING, STOP SWITCH 35357-011-000	001	\$1.50
14	HORN ASSY. 38100-300-023	001	\$40.28
16	BRACKET, MAIN SWITCH 50375-323-020	001	\$7.89
17	PROTECTOR 50400-323-000	001	\$2.70
18	CLAMP, TACH CBL 50462-323-010	001	\$4.83
18	CLAMP, TACH CBL 50462-323-010	001	\$4.83
19	LOCK, HANDLEBAR 35010-230-010	001	\$75.60
19	LOCK, HANDLEBAR 35010-230-010	001	\$75.60
20	LOCK ASSY., SEAT 77230-107-711	001	\$43.95
20	LOCK ASSY., SEAT 77230-107-711	001	\$43.95
22	BOLT, HEX. (6X12) 92101-06012-0A	003	\$1.50
22	BOLT, HEX. (6X12) 92101-06012-0A	003	\$1.50
22	BOLT, HEX. (6X12) 92101-06012-0A	003	\$1.50
23	BOLT, HEX. (6X25) 92101-06025-0A	002	\$1.50
23	BOLT, HEX. (6X25) 92101-06025-0A	002	\$1.50
24	SCREW, PAN (5X20) 93500-05020-0A	004	\$1.50
25	NUT, HEX. (6MM) 94001-06200-0S	002	\$1.50
25	NUT, HEX. (6MM) 94001-06200-0S	002	\$1.50
25	NUT, HEX. (6MM) 94001-06200-0S	002	\$1.50
25	NUT, HEX. (6MM) 94001-06200-0S	002	\$1.50
25	NUT, HEX. (6MM) 94001-06200-0S	002	\$1.50
25	NUT, HEX. (6MM) 94001-06200-0S	002	\$1.50
25	NUT, HEX. (6MM) 94001-06200-0S	002	\$1.50
25	NUT, HEX. (6MM) 94001-06200-0S	002	\$1.50
25	NUT, HEX. (6MM) 94001-06200-0S	002	\$1.50
26	WASHER, PLAIN (6MM) 94101-06800	005	\$1.50
26	WASHER, PLAIN (6MM) 94101-06800	005	\$1.50
26	WASHER, PLAIN (6MM) 94101-06800	005	\$1.50
27	WASHER, SPRING (5MM) 94111-05000	004	\$1.50
28	BAND B1, CABLE 32161-404-000	006	\$1.50
28	BAND B1, CABLE 32161-404-000	006	\$1.50
29	BAND A2, CABLE 95014-61200	003	\$1.50