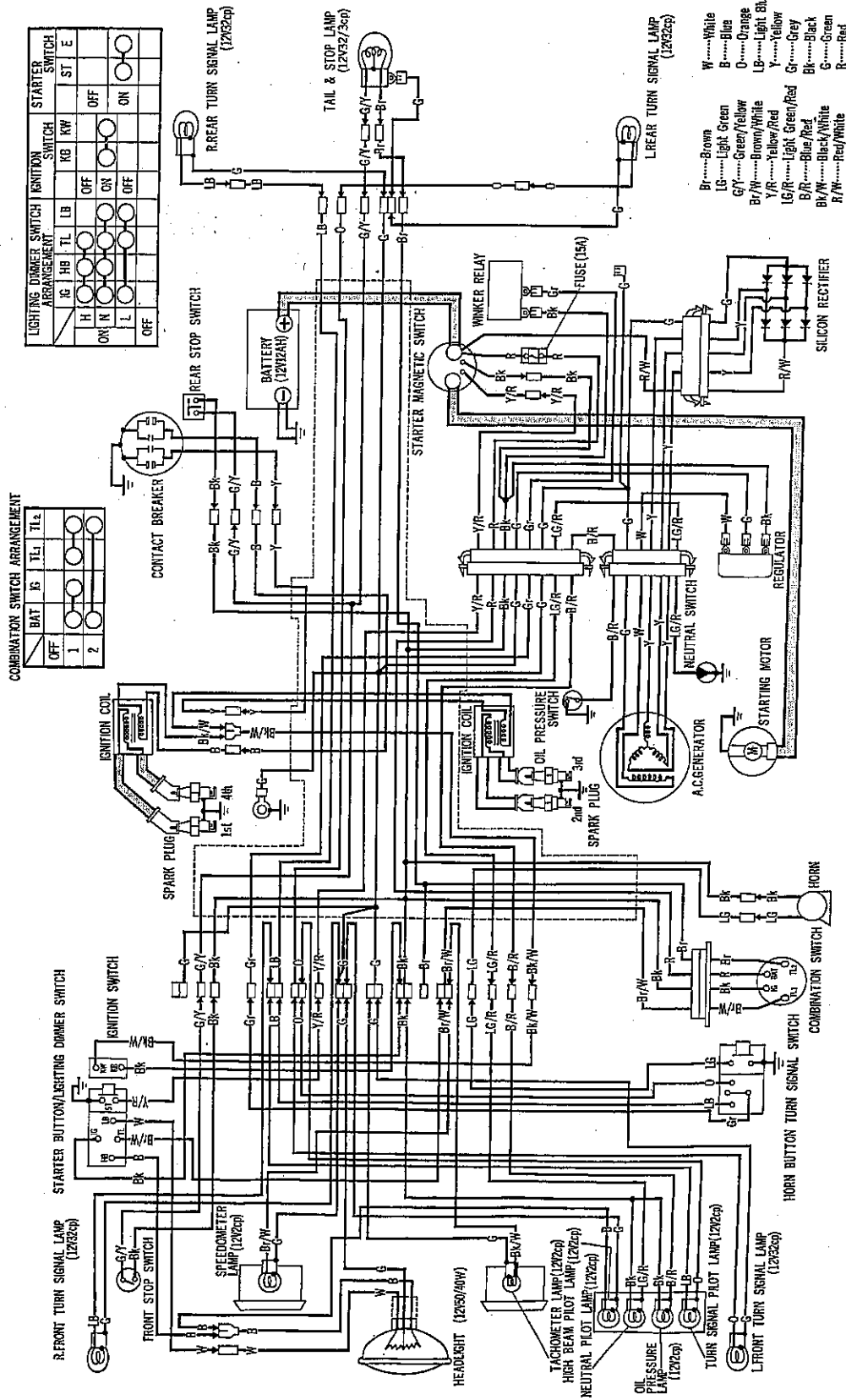


14. WIRING DIAGRAM

CB 500



- W.....White
- B.....Blue
- O.....Orange
- LG.....Light Green
- Y.....Yellow
- Br.....Brown
- GY.....Green/Yellow
- B/W.....Brown/White
- Y/R.....Yellow/Red
- LG/R.....Light Green/Red
- B/R.....Blue/Red
- Bk.....Black
- G.....Green
- R.....Red
- W.....White
- B.....Blue
- O.....Orange
- LG.....Light Green
- Y.....Yellow
- Br.....Brown
- GY.....Green/Yellow
- B/W.....Brown/White
- Y/R.....Yellow/Red
- LG/R.....Light Green/Red
- B/R.....Blue/Red
- Bk.....Black
- G.....Green
- R.....Red

COMBINATION SWITCH ARRANGEMENT

BAT	IG	TL	TL ₂
OFF	○	○	○
1	○	○	○
2	○	○	○

LIGHTING DIMMER SWITCH ARRANGEMENT		IGNITION SWITCH		STARTER SWITCH	
IG	HB	TL	LB	KB	KW
○	○	○	○	OFF	ON
H	N	L	OFF	OFF	ON
○	○	○	○	OFF	ON
OFF	OFF	OFF	OFF	OFF	ON